

INTERNATIONAL STANDARD

IEC
60601-1

Third edition
2005-12

Medical electrical equipment –

Part 1: General requirements for basic safety and essential performance

*This **English-language** version is derived from the original **bilingual** publication by leaving out all French-language pages. Missing page numbers correspond to the French-language pages.*



Reference number
IEC 60601-1:2005(E)

Publication numbering

As from 1 January 1997 all IEC publications are issued with a designation in the 60000 series. For example, IEC 34-1 is now referred to as IEC 60034-1.

Consolidated editions

The IEC is now publishing consolidated versions of its publications. For example, edition numbers 1.0, 1.1 and 1.2 refer, respectively, to the base publication, the base publication incorporating amendment 1 and the base publication incorporating amendments 1 and 2.

Further information on IEC publications

The technical content of IEC publications is kept under constant review by the IEC, thus ensuring that the content reflects current technology. Information relating to this publication, including its validity, is available in the IEC Catalogue of publications (see below) in addition to new editions, amendments and corrigenda. Information on the subjects under consideration and work in progress undertaken by the technical committee which has prepared this publication, as well as the list of publications issued, is also available from the following:

- **IEC Web Site (www.iec.ch)**
- **Catalogue of IEC publications**
The on-line catalogue on the IEC web site (www.iec.ch/searchpub) enables you to search by a variety of criteria including text searches, technical committees and date of publication. On-line information is also available on recently issued publications, withdrawn and replaced publications, as well as corrigenda.
- **IEC Just Published**
This summary of recently issued publications (www.iec.ch/online_news/justpub) is also available by email. Please contact the Customer Service Centre (see below) for further information.
- **Customer Service Centre**
If you have any questions regarding this publication or need further assistance, please contact the Customer Service Centre:

Email: custserv@iec.ch
Tel: +41 22 919 02 11
Fax: +41 22 919 03 00

INTERNATIONAL STANDARD

IEC 60601-1

Third edition
2005-12

Medical electrical equipment –

Part 1: General requirements for basic safety and essential performance

© IEC 2005 Copyright - all rights reserved

No part of this publication may be reproduced or utilized in any form or by any means, electronic or mechanical, including photocopying and microfilm, without permission in writing from the publisher.

International Electrotechnical Commission, 3, rue de Varembe, PO Box 131, CH-1211 Geneva 20, Switzerland
Telephone: +41 22 919 02 11 Telefax: +41 22 919 03 00 E-mail: inmail@iec.ch Web: www.iec.ch



Commission Electrotechnique Internationale
International Electrotechnical Commission
Международная Электротехническая Комиссия

PRICE CODE **XN**

For price, see current catalogue

CONTENTS

FOREWORD.....	21
INTRODUCTION.....	25
1 Scope, object and related standards.....	29
1.1 * Scope	29
1.2 Object	29
1.3 * Collateral standards	29
1.4 * Particular standards	31
2 * Normative references.....	31
3 * Terminology and definitions	39
4 General requirements	79
4.1 * Conditions for application to ME EQUIPMENT or ME SYSTEMS.....	79
4.2 * RISK MANAGEMENT PROCESS for ME EQUIPMENT or ME SYSTEMS	79
4.3 * ESSENTIAL PERFORMANCE	81
4.4 * EXPECTED SERVICE LIFE	81
4.5 * Equivalent safety for ME EQUIPMENT or ME SYSTEMS	83
4.6 * ME EQUIPMENT or ME SYSTEM parts that contact the PATIENT	83
4.7 * SINGLE FAULT CONDITION for ME EQUIPMENT.....	83
4.8 Components of ME EQUIPMENT	85
4.9 * Use of COMPONENTS WITH HIGH-INTEGRITY CHARACTERISTICS in ME EQUIPMENT	85
4.10 * Power supply	87
4.11 Power input	89
5 * General requirements for testing ME EQUIPMENT	91
5.1 * TYPE TESTS.....	91
5.2 * Number of samples	91
5.3 Ambient temperature, humidity, atmospheric pressure.....	91
5.4 Other conditions	91
5.5 Supply voltages, type of current, nature of supply, frequency	93
5.6 Repairs and modifications	93
5.7 * Humidity preconditioning treatment	93
5.8 Sequence of tests	95
5.9 * Determination of APPLIED PARTS and ACCESSIBLE PARTS	95
6 * Classification of ME EQUIPMENT and ME SYSTEMS.....	99
6.1 General	99
6.2 * Protection against electric shock.....	99
6.3 * Protection against harmful ingress of water or particulate matter	101
6.4 Method(s) of sterilization	101
6.5 Suitability for use in an OXYGEN RICH ENVIRONMENT	101
6.6 * Mode of operation.....	101

7	ME EQUIPMENT identification, marking and documents	101
7.1	General	101
7.2	Marking on the outside of ME EQUIPMENT or ME EQUIPMENT parts	105
7.3	Marking on the inside of ME EQUIPMENT or ME EQUIPMENT parts	113
7.4	Marking of controls and instruments	117
7.5	Safety signs	119
7.6	Symbols	121
7.7	Colours of the insulation of conductors	121
7.8	* Indicator lights and controls	123
7.9	ACCOMPANYING DOCUMENTS	123
8	* Protection against electrical HAZARDS from ME EQUIPMENT	135
8.1	Fundamental rule of protection against electric shock	135
8.2	Requirements related to power sources	137
8.3	Classification of APPLIED PARTS	137
8.4	Limitation of voltage, current or energy	139
8.5	Separation of parts	145
8.6	* Protective earthing, functional earthing and potential equalization of ME EQUIPMENT	161
8.7	LEAKAGE CURRENTS and PATIENT AUXILIARY CURRENTS	167
8.8	Insulation	201
8.9	* CREEPAGE DISTANCES and AIR CLEARANCES	213
8.10	Components and wiring	243
8.11	MAINS PARTS, components and layout	247
9	* Protection against MECHANICAL HAZARDS of ME EQUIPMENT and ME SYSTEMS	259
9.1	MECHANICAL HAZARDS of ME EQUIPMENT	259
9.2	* HAZARDS associated with moving parts	261
9.3	* HAZARD associated with surfaces, corners and edges	271
9.4	* Instability HAZARDS	271
9.5	* Expelled parts HAZARD	281
9.6	Acoustic energy (including infra- and ultrasound) and vibration	281
9.7	* Pressure vessels and parts subject to pneumatic and hydraulic pressure	285
9.8	* HAZARDS associated with support systems	291
10	* Protection against unwanted and excessive radiation HAZARDS	301
10.1	X-Radiation	301
10.2	Alpha, beta, gamma, neutron and other particle radiation	303
10.3	Microwave radiation	303
10.4	* Lasers and light emitting diodes (LEDs)	303
10.5	Other visible electromagnetic radiation	303
10.6	Infrared radiation	305
10.7	Ultraviolet radiation	305
11	* Protection against excessive temperatures and other HAZARDS	305
11.1	* Excessive temperatures in ME EQUIPMENT	305
11.2	* Fire prevention	313
11.3	* Constructional requirements for fire ENCLOSURES of ME EQUIPMENT	323

11.4	* ME EQUIPMENT and ME SYSTEMS intended for use with flammable anaesthetics	329
11.5	* ME EQUIPMENT and ME SYSTEMS intended for use in conjunction with flammable agents	329
11.6	Overflow, spillage, leakage, ingress of water or particulate matter, cleaning, disinfection, sterilization and compatibility with substances used with the ME EQUIPMENT	329
11.7	Biocompatibility of ME EQUIPMENT and ME SYSTEMS	333
11.8	* Interruption of the power supply / SUPPLY MAINS to ME EQUIPMENT	333
12	* Accuracy of controls and instruments and protection against hazardous outputs	333
12.1	Accuracy of controls and instruments	333
12.2	USABILITY	333
12.3	Alarm systems	333
12.4	Protection against hazardous output	333
13	* HAZARDOUS SITUATIONS and fault conditions	337
13.1	Specific HAZARDOUS SITUATIONS	337
13.2	SINGLE FAULT CONDITIONS	339
14	* PROGRAMMABLE ELECTRICAL MEDICAL SYSTEMS (PEMS)	351
14.1	* General	351
14.2	* Documentation	351
14.3	* RISK MANAGEMENT plan	353
14.4	* PEMS DEVELOPMENT LIFE-CYCLE	353
14.5	* Problem resolution	353
14.6	RISK MANAGEMENT PROCESS	353
14.7	* Requirement specification	355
14.8	* Architecture	355
14.9	* Design and implementation	357
14.10	* VERIFICATION	357
14.11	* PEMS VALIDATION	357
14.12	* Modification	359
14.13	* Connection of PEMS by NETWORK/DATA COUPLING to other equipment	359
15	Construction of ME EQUIPMENT	359
15.1	* Arrangements of controls and indicators of ME EQUIPMENT	359
15.2	* Serviceability	359
15.3	Mechanical strength	361
15.4	ME EQUIPMENT components and general assembly	369
15.5	* MAINS SUPPLY TRANSFORMERS of ME EQUIPMENT and transformers providing separation in accordance with 8.5	379
16	* ME SYSTEMS	387
16.1	* General requirements for the ME SYSTEMS	387
16.2	* ACCOMPANYING DOCUMENTS of an ME SYSTEM	389
16.3	* Power supply	391
16.4	ENCLOSURES	391
16.5	* SEPARATION DEVICES	391
16.6	* LEAKAGE CURRENTS	393
16.7	* Protection against MECHANICAL HAZARDS	395

16.8	Interruption of the power supply to parts of an ME SYSTEM	395
16.9	ME SYSTEM connections and wiring	395
17	* Electromagnetic compatibility of ME EQUIPMENT and ME SYSTEMS	399
Annex A	(informative) General guidance and rationale.....	401
Annex B	(informative) Sequence of testing	613
Annex C	(informative) Guide to marking and labelling requirements for ME EQUIPMENT and ME SYSTEMS.....	621
Annex D	(informative) Symbols on marking.....	629
Annex E	(informative) Examples of the connection of the measuring device (MD) for measurement of the PATIENT LEAKAGE CURRENT and PATIENT AUXILIARY CURRENT	647
Annex F	(informative) Suitable measuring supply circuits.....	651
Annex G	(normative) Protection against HAZARDS of ignition of flammable anaesthetic mixtures.....	657
Annex H	(informative) PEMS structure, PEMS DEVELOPMENT LIFE-CYCLE and documentation	687
Annex I	(informative) ME SYSTEMS aspects.....	713
Annex J	(informative) Survey of insulation paths.....	725
Annex K	(informative) Simplified PATIENT LEAKAGE CURRENT diagrams	731
Annex L	(normative) Insulated winding wires for use without interleaved insulation.....	737
	Bibliography.....	743
	INDEX	749
	INDEX OF ABBREVIATIONS AND ACRONYMS	775
Figure 1	– Detachable mains connection.....	43
Figure 2	– Example of the defined terminals and conductors.....	45
Figure 3	– Example of a CLASS I ME EQUIPMENT.....	47
Figure 4	– Example of a metal-enclosed CLASS II ME EQUIPMENT	47
Figure 5	– Schematic flow chart for component qualification	87
Figure 6	– Standard test finger.....	97
Figure 7	– Test hook	99
Figure 8	– Test pin.....	141
Figure 9	– Application of test voltage to bridged PATIENT CONNECTIONS for DEFIBRILLATION-PROOF APPLIED PARTS.....	155
Figure 10	– Application of test voltage to individual PATIENT CONNECTIONS for DEFIBRILLATION-PROOF APPLIED PARTS.....	159
Figure 11	– Application of test voltage to test the delivered defibrillation energy	161

Figure 12 – Example of a measuring device and its frequency characteristics.....	169
Figure 13 – Measuring circuit for the EARTH LEAKAGE CURRENT of CLASS I ME equipment, with or without APPLIED PART	175
Figure 14 – Measuring circuit for the TOUCH CURRENT.....	177
Figure 15 – Measuring circuit for the PATIENT LEAKAGE CURRENT from the PATIENT CONNECTION to earth.....	179
Figure 16 – Measuring circuit for the PATIENT LEAKAGE CURRENT via the PATIENT CONNECTION(S) of an F-TYPE APPLIED PART to earth caused by an external voltage on the PATIENT CONNECTION(S)	181
Figure 17 – Measuring circuit for the PATIENT LEAKAGE CURRENT from PATIENT CONNECTION(S) to earth caused by an external voltage on a SIGNAL INPUT/OUTPUT PART	183
Figure 18 – Measuring circuit for the PATIENT LEAKAGE CURRENT from PATIENT CONNECTION(S) to earth caused by an external voltage on a metal ACCESSIBLE PART that is not PROTECTIVELY EARTHED	185
Figure 19 – Measuring circuit for the PATIENT AUXILIARY CURRENT	187
Figure 20 – Measuring circuit for the total PATIENT LEAKAGE CURRENT with all PATIENT CONNECTIONS of all APPLIED PARTS of the same type (TYPE B APPLIED PARTS, TYPE BF APPLIED PARTS or TYPE CF APPLIED PARTS) connected together.....	189
Figure 21 – Ball-pressure test apparatus	213
Figure 22 – CREEPAGE DISTANCE and AIR CLEARANCE – Example 1	239
Figure 23 – CREEPAGE DISTANCE and AIR CLEARANCE – Example 2	239
Figure 24 – CREEPAGE DISTANCE and AIR CLEARANCE – Example 3	239
Figure 25 – CREEPAGE DISTANCE and AIR CLEARANCE – Example 4	239
Figure 26 – CREEPAGE DISTANCE and AIR CLEARANCE – Example 5	239
Figure 27 – CREEPAGE DISTANCE and AIR CLEARANCE – Example 6	241
Figure 28 – CREEPAGE DISTANCE and AIR CLEARANCE – Example 7	241
Figure 29 – CREEPAGE DISTANCE and AIR CLEARANCE – Example 8	241
Figure 30 – CREEPAGE DISTANCE and AIR CLEARANCE – Example 9	241
Figure 31 – CREEPAGE DISTANCE and AIR CLEARANCE – Example 10	243
Figure 32 – Ratio between HYDRAULIC TEST PRESSURE and MAXIMUM PERMISSIBLE WORKING PRESSURE	289
Figure 33 – Human body test mass.....	299
Figure 34 – Spark ignition test apparatus.....	317
Figure 35 – Maximum allowable current I as a function of the maximum allowable voltage U measured in a purely resistive circuit in an OXYGEN RICH ENVIRONMENT	317
Figure 36 – Maximum allowable voltage U as a function of the capacitance C measured in a capacitive circuit used in an OXYGEN RICH ENVIRONMENT	319
Figure 37 – Maximum allowable current I as a function of the inductance L measured in an inductive circuit in an OXYGEN RICH ENVIRONMENT	319
Figure 38 – Baffle	327
Figure 39 – Area of the bottom of an ENCLOSURE as specified in 11.3 b) 1)	327
Figure A.1 – Identification of ME EQUIPMENT, APPLIED PARTS and PATIENT CONNECTIONS in an ECG monitor	413

Figure A.2 – Example of the insulation of an F-TYPE APPLIED PART with the insulation incorporated in the ME EQUIPMENT	415
Figure A.3 – Identification of ME EQUIPMENT, APPLIED PARTS and PATIENT CONNECTIONS in a PATIENT monitor with invasive pressure monitoring facility	417
Figure A.4 – Identification of ME EQUIPMENT, APPLIED PARTS and PATIENT CONNECTIONS in a multifunction PATIENT monitor with invasive pressure monitoring facilities	419
Figure A.5 – Identification of APPLIED PARTS and PATIENT CONNECTIONS in an X-ray ME SYSTEM	421
Figure A.6 – Identification of ME EQUIPMENT, APPLIED PARTS and PATIENT CONNECTIONS in a transcutaneous electronic nerve stimulator (TENS) intended to be worn on the PATIENT'S belt and connected to electrodes applied to the PATIENT'S upper arm.....	421
Figure A.7 – Identification of ME EQUIPMENT or ME SYSTEM, APPLIED PARTS and PATIENT CONNECTIONS in a personal computer with an ECG module	423
Figure A.8 – Pictorial representation of the relationship of HAZARD, sequence of events, HAZARDOUS SITUATION and HARM	429
Figure A.9 – Example of PATIENT ENVIRONMENT.....	441
Figure A.10 – Floating circuit	469
Figure A.11 – Interruption of a power-carrying conductor between ME EQUIPMENT parts in separate ENCLOSURES.....	475
Figure A.12 – Identification of MEANS OF PATIENT PROTECTION and MEANS OF OPERATOR PROTECTION.....	483
Figure A.13 – Allowable protective earth impedance where the fault current is limited	497
Figure A.14 – Probability of ventricular fibrillation	509
Figure A.15 – Example of a measuring circuit for the PATIENT LEAKAGE CURRENT from a PATIENT CONNECTION to earth for ME EQUIPMENT with multiple PATIENT CONNECTIONS	519
Figure A.16 – Instability test conditions.....	543
Figure A.17 – Example of determining TENSILE SAFETY FACTOR using Table 21	555
Figure A.18 – Example of determining design and test loads	557
Figure A.19 – Example of human body mass distribution	557
Figure E.1 – TYPE B APPLIED PART	647
Figure E.2 – TYPE BF APPLIED PART	647
Figure E.3 – TYPE CF APPLIED PART	649
Figure E.4 – PATIENT AUXILIARY CURRENT	649
Figure E.5 – Loading of the PATIENT CONNECTIONS if specified by the MANUFACTURER	649
Figure F.1 – Measuring supply circuit with one side of the SUPPLY MAINS at approximately earth potential.....	651
Figure F.2 – Measuring supply circuit with SUPPLY MAINS approximately symmetrical to earth potential.....	651
Figure F.3 – Measuring supply circuit for polyphase ME EQUIPMENT specified for connection to a polyphase SUPPLY MAINS	653
Figure F.4 – Measuring supply circuit for single-phase ME EQUIPMENT specified for connection to a polyphase SUPPLY MAINS	653

Figure F.5 – Measuring supply circuit for ME EQUIPMENT having a separate power supply unit or intended to receive its power from another equipment in an ME SYSTEM.....	655
Figure G.1– Maximum allowable current I_{ZR} as a function of the maximum allowable voltage U_{ZR} measured in a purely resistive circuit with the most flammable mixture of ether vapour with air	669
Figure G.2 – Maximum allowable voltage U_{ZC} as a function of the capacitance C_{max} measured in a capacitive circuit with the most flammable mixture of ether vapour with air ..	671
Figure G.3 – Maximum allowable current I_{ZL} as a function of the inductance L_{max} measured in an inductive circuit with the most flammable mixture of ether vapour with air ..	671
Figure G.4 – Maximum allowable current I_{ZR} as a function of the maximum allowable voltage U_{ZR} measured in a purely resistive circuit with the most flammable mixture of ether vapour with oxygen	679
Figure G.5 – Maximum allowable voltage U_{ZC} as a function of the capacitance C_{max} measured in a capacitive circuit with the most flammable mixture of ether vapour with oxygen.....	681
Figure G.6 – Maximum allowable current I_{ZL} as a function of the inductance L_{max} measured in an inductive circuit with the most flammable mixture of ether vapour with oxygen.....	681
Figure G.7 – Test apparatus	685
Figure H.1 – Examples of PEMS/ PESS structures	689
Figure H.2 – A PEMS DEVELOPMENT LIFE-CYCLE model	691
Figure H.3 – PEMS documentation requirements from Clause 14 and ISO 14971:2000	699
Figure H.4 – Example of potential parameters required to be specified for NETWORK/DATA COUPLING	711
Figure I.1 – Example of the construction of a MULTIPLE SOCKET-OUTLET (MSO).....	721
Figure I.2 – Examples of application of MULTIPLE SOCKET-OUTLETS (MSO)	723
Figure J.1 – Insulation example 1	725
Figure J.2 – Insulation example 2	725
Figure J.3 – Insulation example 3	725
Figure J.4 – Insulation example 4	727
Figure J.5 – Insulation example 5	727
Figure J.6 – Insulation example 6	727
Figure J.7 – Insulation example 7	729
Figure K.1 – ME EQUIPMENT with an ENCLOSURE made of insulating material.....	731
Figure K.2 – ME EQUIPMENT with an F-TYPE APPLIED PART.....	731
Figure K.3 – ME EQUIPMENT with an APPLIED PART and a SIGNAL INPUT/OUTPUT PART	733
Figure K.4 – ME EQUIPMENT with a PATIENT CONNECTION of a TYPE B APPLIED PART that is not PROTECTIVELY EARTHED	733
Figure K.5 – ME EQUIPMENT with a PATIENT CONNECTION of a TYPE BF APPLIED PART that is not PROTECTIVELY EARTHED	735

Table 1 – Units outside the SI units system that may be used on ME EQUIPMENT	119
Table 2 – Colours of indicator lights and their meaning for ME EQUIPMENT	123
Table 3 – * Allowable values of PATIENT LEAKAGE CURRENTS and PATIENT AUXILIARY CURRENTS under NORMAL CONDITION and SINGLE FAULT CONDITION.....	171
Table 4 – * Allowable values of PATIENT LEAKAGE CURRENTS under the special test conditions identified in 8.7.4.7	173
Table 5 – Legends of symbols for Figure 9 to Figure 11, Figure 13 to Figure 20, Figure A.15, Annex E and Annex F	191
Table 6 – Test voltages for solid insulation forming a MEANS OF PROTECTION	207
Table 7 – Test voltages for MEANS OF OPERATOR PROTECTION.....	209
Table 8 – Multiplication factors for AIR CLEARANCES for altitudes up to 5 000 m.....	215
Table 9 – Material group classification	217
Table 10 – MAINS TRANSIENT VOLTAGE.....	219
Table 11 – Minimum CREEPAGE DISTANCES and AIR CLEARANCES between parts of opposite polarity of the MAINS PART	223
Table 12 – Minimum CREEPAGE DISTANCES and AIR CLEARANCES providing MEANS OF PATIENT PROTECTION	225
Table 13 – Minimum AIR CLEARANCES providing MEANS OF OPERATOR PROTECTION from the MAINS PART	227
Table 14 – Additional AIR CLEARANCES for insulation in MAINS PARTS with PEAK WORKING VOLTAGES exceeding the peak value of the NOMINAL MAINS VOLTAGE ^a	229
Table 15 – Minimum AIR CLEARANCES for MEANS OF OPERATOR PROTECTION in SECONDARY CIRCUITS.....	231
Table 16 – Minimum CREEPAGE DISTANCES providing MEANS OF OPERATOR PROTECTION	233
Table 17 – NOMINAL cross-sectional area of conductors of a POWER SUPPLY CORD	251
Table 18 – Testing of cord anchorages	253
Table 19 – MECHANICAL HAZARDS covered by this clause	261
Table 20 – Acceptable gaps.....	265
Table 21 – Determination of TENSILE SAFETY FACTOR	293
Table 22 – Allowable maximum temperatures of parts.....	305
Table 23 – Allowable maximum temperatures for ME EQUIPMENT parts that are likely to be touched.....	307
Table 24 – Allowable maximum temperatures for skin contact with ME EQUIPMENT APPLIED PARTS	307
Table 25 – Acceptable perforation of the bottom of an ENCLOSURE	325
Table 26 – * Temperature limits of motor windings.....	345
Table 27 – Maximum motor winding steady-state temperature	349
Table 28 – Mechanical strength test applicability	361
Table 29 – Drop height	365
Table 30 – Test torques for rotating controls.....	377

Table 31 – Maximum allowable temperatures of transformer windings under overload and short-circuit conditions at 25 °C (± 5 °C) ambient temperature	381
Table 32 – Test current for transformers	383
Table A.1 – Values of AIR CLEARANCE and CREEPAGE DISTANCE derived from Table 7 of IEC 61010-1:2001 and Table 12	525
Table A.2 – CREEPAGE DISTANCES to avoid failure due to tracking from IEC 60664-1	527
Table A.3 – Instability test conditions	543
Table A.4 – Allowable time exposure for level of acceleration	547
Table A.5 – Guidance on surface temperatures for ME EQUIPMENT that creates low temperatures (cools) for therapeutic purposes or as part of its operation	565
Table C.1– Marking on the outside of ME EQUIPMENT, ME SYSTEMS or their parts	621
Table C.2 – Marking on the inside of ME EQUIPMENT, ME SYSTEMS or their parts	623
Table C.3 – Marking of controls and instruments	623
Table C.4 – ACCOMPANYING DOCUMENTS, general	625
Table C.5 – ACCOMPANYING DOCUMENTS, instructions for use	625
Table D.1 – General symbols	631
Table D.2 – Safety signs	641
Table D.3 – General codes	645
Table G.1 – Gas-tightness of cord inlets	675
Table H.1 – NETWORK/DATA COUPLING classification	707
Table I.1 – Some examples of ME SYSTEMS for illustration	717
Table L.1– Mandrel diameter	739
Table L.2 – Oven temperature	739

INTERNATIONAL ELECTROTECHNICAL COMMISSION

MEDICAL ELECTRICAL EQUIPMENT –**Part 1: General requirements for basic safety
and essential performance**

FOREWORD

- 1) The International Electrotechnical Commission (IEC) is a worldwide organization for standardization comprising all national electrotechnical committees (IEC National Committees). The object of IEC is to promote international co-operation on all questions concerning standardization in the electrical and electronic fields. To this end and in addition to other activities, IEC publishes International Standards, Technical Specifications, Technical Reports, Publicly Available Specifications (PAS) and Guides (hereafter referred to as "IEC Publication(s)"). Their preparation is entrusted to technical committees; any IEC National Committee interested in the subject dealt with may participate in this preparatory work. International, governmental and non-governmental organizations liaising with the IEC also participate in this preparation. IEC collaborates closely with the International Organization for Standardization (ISO) in accordance with conditions determined by agreement between the two organizations.
- 2) The formal decisions or agreements of IEC on technical matters express, as nearly as possible, an international consensus of opinion on the relevant subjects since each technical committee has representation from all interested IEC National Committees.
- 3) IEC Publications have the form of recommendations for international use and are accepted by IEC National Committees in that sense. While all reasonable efforts are made to ensure that the technical content of IEC Publications is accurate, IEC cannot be held responsible for the way in which they are used or for any misinterpretation by any end user.
- 4) In order to promote international uniformity, IEC National Committees undertake to apply IEC Publications transparently to the maximum extent possible in their national and regional publications. Any divergence between any IEC Publication and the corresponding national or regional publication shall be clearly indicated in the latter.
- 5) IEC provides no marking procedure to indicate its approval and cannot be rendered responsible for any equipment declared to be in conformity with an IEC Publication.
- 6) All users should ensure that they have the latest edition of this publication.
- 7) No liability shall attach to IEC or its directors, employees, servants or agents including individual experts and members of its technical committees and IEC National Committees for any personal injury, property damage or other damage of any nature whatsoever, whether direct or indirect, or for costs (including legal fees) and expenses arising out of the publication, use of, or reliance upon, this IEC Publication or any other IEC Publications.
- 8) Attention is drawn to the Normative references cited in this publication. Use of the referenced publications is indispensable for the correct application of this publication.
- 9) Attention is drawn to the possibility that some of the elements of this IEC Publication may be the subject of patent rights. IEC shall not be held responsible for identifying any or all such patent rights.

International Standard IEC 60601-1 has been prepared by subcommittee 62A: Common aspects of electrical equipment used in medical practice, of IEC technical committee 62: Electrical equipment in medical practice.

This third edition cancels and replaces the second edition published in 1988, its Amendment 1 (1991) and Amendment 2 (1995). This edition constitutes a technical revision. This edition has been significantly restructured. Requirements in the electrical section have been further aligned with those for information technology equipment covered by IEC 60950-1 and a requirement for including a RISK MANAGEMENT PROCESS has been added. For an expanded description of this revision, see Clause A.3.

The text of this standard is based on the following documents:

FDIS	Report on voting
62A/505A/FDIS	62A/512/RVD

Full information on the voting for the approval of this standard can be found in the report on voting indicated in the above table.

This publication has been drafted in accordance with the ISO/IEC Directives, Part 2.

In this standard the following print types are used:

- Requirements and definitions: in roman type.
- *Test specifications: in italic type.*
- Informative material appearing outside of tables, such as notes, examples and references: in smaller type. Normative text of tables is also in a smaller type.
- TERMS USED THROUGHOUT THIS STANDARD THAT HAVE BEEN DEFINED IN CLAUSE 3 AND ALSO GIVEN IN THE INDEX: IN SMALL CAPITALS.

In referring to the structure of this standard, the term

- “clause” means one of the seventeen numbered divisions within the table of contents, inclusive of all subdivisions (e.g. Clause 7 includes subclauses 7.1, 7.2, etc.);
- “subclause” means a numbered subdivision of a clause (e.g. 7.1, 7.2 and 7.2.1 are all subclauses of Clause 7).

References to clauses within this standard are preceded by the term “Clause” followed by the clause number. References to subclauses within this standard are by number only.

In this standard, the conjunctive “or” is used as an “inclusive or” so a statement is true if any combination of the conditions is true.

The verbal forms used in this standard conform to usage described in Annex G of the ISO/IEC Directives, Part 2. For the purposes of this standard, the auxiliary verb:

- “shall” means that compliance with a requirement or a test is mandatory for compliance with this standard;
- “should” means that compliance with a requirement or a test is recommended but is not mandatory for compliance with this standard;
- “may” is used to describe a permissible way to achieve compliance with a requirement or test.

An asterisk (*) as the first character of a title or at the beginning of a paragraph or table title indicates that there is guidance or rationale related to that item in Annex A.

The committee has decided that the contents of this publication will remain unchanged until the maintenance result date indicated on the IEC web site under “<http://webstore.iec.ch>” in the data related to the specific publication. At this date, the publication will be

- reconfirmed;
- withdrawn;
- replaced by a revised edition, or
- amended.

INTRODUCTION

In 1976, IEC subcommittee 62A published the first edition of IEC/TR 60513, *Basic aspects of the safety philosophy for electrical equipment used in medical practice*. The first edition of IEC/TR 60513 provided the basis for developing:

- the first edition of IEC 60601-1 (the parent safety standard for MEDICAL ELECTRICAL EQUIPMENT);
- the IEC 60601-1-xx series of collateral standards for MEDICAL ELECTRICAL EQUIPMENT;
- the IEC 60601-2-xx series of particular standards for particular types of MEDICAL ELECTRICAL EQUIPMENT; and
- the IEC 60601-3-xx series of performance standards for particular types of MEDICAL ELECTRICAL EQUIPMENT.

Aware of the need and the urgency for a standard covering electrical equipment used in medical practice, the majority of National Committees voted in 1977 in favour of the first edition of IEC 60601-1, based on a draft that at the time represented a first approach to the problem. The extent of the scope, the complexity of the equipment concerned, and the specific nature of some of the protective measures and the corresponding tests for verifying them, required years of effort in order to prepare this first standard, which can now be said to have served as a universal reference since its publication.

However, the frequent application of the first edition revealed room for improvement. These improvements were all the more desirable in view of the considerable success that this standard has enjoyed since its publication.

The careful work of revision subsequently undertaken and continued over a number of years resulted in the publication of the second edition in 1988. This edition incorporated all the improvements that could be reasonably expected up to that time. Further developments remained under constant study. The second edition was amended in 1991 and then again in 1995.

The original IEC approach was to prepare separate BASIC SAFETY and performance standards for MEDICAL ELECTRICAL EQUIPMENT. This was a natural extension of the historical approach taken at the national and international level with other electrical equipment standards (e.g. those for domestic equipment), where BASIC SAFETY is regulated through mandatory standards but other performance specifications are regulated by market pressure. In this context, it has been said that, "The ability of an electric kettle to boil water is not critical to its safe use!"

It is now recognized that this is not the situation with many items of MEDICAL ELECTRICAL EQUIPMENT, and RESPONSIBLE ORGANIZATIONS have to depend on standards to ensure ESSENTIAL PERFORMANCE as well as BASIC SAFETY. Such areas include the accuracy with which the equipment controls the delivery of energy or therapeutic substances to the PATIENT, or processes and displays physiological data that will affect PATIENT management.

This recognition means that separating BASIC SAFETY and performance is somewhat inappropriate in addressing the HAZARDS that result from inadequate design of MEDICAL ELECTRICAL EQUIPMENT. Many particular standards in the IEC 60601-2-xx series address a range of ESSENTIAL PERFORMANCE requirements that cannot be directly evaluated by the RESPONSIBLE ORGANIZATION without applying such standards. (However, the current IEC 60601 series includes fewer requirements for ESSENTIAL PERFORMANCE than for BASIC SAFETY).

In anticipation of a third edition of IEC 60601-1, IEC subcommittee 62A prepared a second edition of IEC/TR 60513 [12]¹⁾ in 1994. It was intended that the second edition of IEC/TR 60513 would provide guidance for developing this edition of IEC 60601-1, and for the further development of the IEC 60601-1-xx and IEC 60601-2-xx series.

In order to achieve consistency in international standards, address present expectations in the health care community and align with developments in IEC 60601-2-xx, the second edition of IEC/TR 60513 includes two major new principles:

- the first change is that the concept of “SAFETY” has been broadened from the BASIC SAFETY considerations in the first and second editions of IEC 60601-1 to include ESSENTIAL PERFORMANCE matters, (e.g. the accuracy of physiological monitoring equipment). Application of this principle leads to the change of the title of this publication from “Medical electrical equipment, Part 1: General requirements for safety” in the second edition, to “Medical electrical equipment, Part 1: General requirements for basic safety and essential performance”;
- the second change is that, in specifying minimum safety requirements, provision is made for assessing the adequacy of the design PROCESS when this is the only practical method of assessing the safety of certain technologies such as programmable electronic systems. Application of this principle is one of the factors leading to introduction of a general requirement to carry out a RISK MANAGEMENT PROCESS. In parallel with the development of the third edition of IEC 60601-1, a joint project with ISO/TC 210 resulted in the publication of a general standard for RISK MANAGEMENT of medical devices. Compliance with this edition of IEC 60601-1 requires that the MANUFACTURER have a RISK MANAGEMENT PROCESS complying with ISO 14971 in place (see 4.2).

This standard contains requirements concerning BASIC SAFETY and ESSENTIAL PERFORMANCE that are generally applicable to MEDICAL ELECTRICAL EQUIPMENT. For certain types of MEDICAL ELECTRICAL EQUIPMENT, these requirements are either supplemented or modified by the special requirements of a collateral or particular standard. Where particular standards exist, this standard should not be used alone.

1) Figures in square brackets refer to the Bibliography.

MEDICAL ELECTRICAL EQUIPMENT –

Part 1: General requirements for basic safety and essential performance

1 Scope, object and related standards

1.1 * Scope

This International Standard applies to the BASIC SAFETY and ESSENTIAL PERFORMANCE of MEDICAL ELECTRICAL EQUIPMENT and MEDICAL ELECTRICAL SYSTEMS, hereafter referred to as ME EQUIPMENT and ME SYSTEMS.

If a clause or subclause is specifically intended to be applicable to ME EQUIPMENT only, or to ME SYSTEMS only, the title and content of that clause or subclause will say so. If that is not the case, the clause or subclause applies both to ME EQUIPMENT and to ME SYSTEMS, as relevant.

HAZARDS inherent in the intended physiological function of ME EQUIPMENT or ME SYSTEMS within the scope of this standard are not covered by specific requirements in this standard except in 7.2.13 and 8.4.1.

NOTE See also 4.2.

This standard can also be applied to equipment used for compensation or alleviation of disease, injury or disability.

In vitro diagnostic equipment that does not fall within the definition of ME EQUIPMENT is covered by the IEC 61010 series ²⁾. This standard does not apply to the implantable parts of active implantable medical devices covered by ISO 14708-1 ³⁾.

1.2 Object

The object of this standard is to specify general requirements and to serve as the basis for particular standards.

1.3 * Collateral standards

In the IEC 60601 series, collateral standards specify general requirements for BASIC SAFETY and ESSENTIAL PERFORMANCE applicable to:

- a subgroup of ME EQUIPMENT (e.g. radiological equipment);
- a specific characteristic of all ME EQUIPMENT not fully addressed in this standard.

Applicable collateral standards become normative at the date of their publication and shall apply together with this standard.

NOTE 1 When evaluating compliance with IEC 60601-1, it is permissible to independently assess compliance with the collateral standards.

²⁾ IEC 61010 (all parts), *Safety requirements for electrical equipment for measurement, control, and laboratory use*

³⁾ ISO 14708-1, *Implants for surgery – Active implantable medical devices – Part 1: General requirements for safety, marking and for information to be provided by the manufacturer*

NOTE 2 When declaring compliance with IEC 60601-1, the declarer should specifically list the collateral standards that have been applied. This allows the reader of the declaration to understand which collateral standards were part of the evaluation.

NOTE 3 Members of IEC maintain a register of valid International Standards. Users of this standard should consult this register to determine which collateral standards have been published.

If a collateral standard applies to ME EQUIPMENT for which a particular standard exists, then the particular standard takes priority over the collateral standard.

1.4 * Particular standards

In the IEC 60601 series, particular standards may modify, replace or delete requirements contained in this standard as appropriate for the particular ME EQUIPMENT under consideration, and may add other BASIC SAFETY and ESSENTIAL PERFORMANCE requirements.

NOTE Members of IEC and ISO maintain registers of valid International Standards. Users of this standard should consult these registers to determine which particular standards have been published.

A requirement of a particular standard takes priority over this standard.

2 * Normative references

The following referenced documents are indispensable for the application of this document. For dated references, only the edition cited applies. For undated references, the latest edition of the referenced document (including any amendments) applies.

ATTENTION: Additional collateral standards of the IEC 60601 series, which are issued subsequent to publication of this standard, become normative at the date of their publication and shall be considered as being included among the normative references below. See 1.3.

NOTE Informative references are listed in the Bibliography on page 743.

IEC 60065:2001, *Audio, video and similar electronic apparatus – Safety requirements*

IEC 60068-2-2:1974, *Environmental testing – Part 2: Tests. Tests B: Dry heat*
Amendment 1 (1993)
Amendment 2 (1994)

IEC 60079-0, *Electrical apparatus for explosive gas atmospheres – Part 0: General requirements*

IEC 60079-2, *Electrical apparatus for explosive gas atmospheres – Part 2: Pressurized enclosures “p”*

IEC 60079-5, *Electrical apparatus for explosive gas atmospheres – Part 5: Powder filling “q”*

IEC 60079-6, *Electrical apparatus for explosive gas atmospheres – Part 6: Oil-immersion “o”*

IEC 60083, *Plugs and socket-outlets for domestic and similar general use standardized in member countries of IEC*

IEC 60085, *Electrical insulation – Thermal classification*

IEC 60086-4, *Primary batteries – Part 4: Safety of lithium batteries*

IEC 60112, *Method for the determination of the proof and the comparative tracking indices of solid insulating materials*

IEC 60127-1, *Miniature fuses – Part 1: Definitions for miniature fuses and general requirements for miniature fuse-links*

IEC 60227-1:1993, *Polyvinyl chloride insulated cables of rated voltages up to and including 450/750 V – Part 1: General requirements*⁴⁾

Amendment 1 (1995)

Amendment 2 (1998)

IEC 60245-1:2003, *Rubber insulated cables – Rated voltages up to and including 450/750 V – Part 1: General requirements*

IEC 60252-1, *AC motor capacitors – Part 1: General – Performance, testing and rating – Safety requirements – Guide for installation and operation*

IEC 60320-1, *Appliance couplers for household and similar general purposes – Part 1: General requirements*

IEC 60335-1:2001, *Household and similar electrical appliances – Safety – Part 1: General requirements*

IEC 60364-4-41, *Electrical installations of buildings – Part 4-41: Protection for safety – Protection against electric shock*

IEC 60384-14:2005, *Fixed capacitors for use in electronic equipment – Part 14: Sectional specification: Fixed capacitors for electromagnetic interference suppression and connection to the supply mains*

IEC 60417-DB:2002, *Graphical symbols for use on equipment*⁵⁾

IEC 60445, *Basic and safety principles for man-machine interface, marking and identification – Identification of equipment terminals and of terminations of certain designated conductors, including general rules for an alphanumeric system*

IEC 60447, *Basic and safety principles for man-machine interface, marking and identification – Actuating principles*

IEC 60529:1989, *Degrees of protection provided by enclosures (IP Code)*⁶⁾
Amendment 1 (1999)

4) There exists a consolidated edition 2.2 including IEC 60227-1:1993 and its Amendment 1 (1995) and Amendment 2 (1998).

5) "DB" refers to the joint ISO-IEC on-line database.

6) There exists a consolidated version 2.1, including IEC 60529:1989 and its Amendment 1 (1999).

IEC 60601-1-2, *Medical electrical equipment – Part 1-2: General requirements for safety – Collateral standard: Electromagnetic compatibility – Requirements and tests*

IEC 60601-1-3, *Medical electrical equipment – Part 1: General requirements for safety – 3. Collateral standard: General requirements for radiation protection in diagnostic X-ray equipment*

IEC 60601-1-6, *Medical electrical equipment – Part 1-6: General requirements for safety – Collateral standard: Usability*

IEC 60601-1-8, *Medical electrical equipment – Part 1-8: General requirements for safety – Collateral standard: General requirements, tests and guidance for alarm systems in medical electrical equipment and medical electrical systems*

IEC 60664-1:1992, *Insulation coordination for equipment within low-voltage systems – Part 1: Principles, requirements and tests* ⁷⁾

Amendment 1 (2000)

Amendment 2 (2002)

IEC 60695-11-10, *Fire hazard testing – Part 11-10: Test flames – 50 W horizontal and vertical flame test methods*

IEC 60730-1:1999, *Automatic electrical controls for household and similar use – Part 1: General requirements* ⁸⁾

Amendment 1 (2003)

IEC 60825-1:1993, *Safety of laser products – Part 1: Equipment classification, requirements and user's guide* ⁹⁾

Amendment 1 (1997)

Amendment 2 (2001)

IEC 60851-3:1996, *Winding wires – Test methods – Part 3: Mechanical properties* ¹⁰⁾

Amendment 1 (1997)

Amendment 2 (2003)

IEC 60851-5:1996, *Winding wires – Test methods – Part 5: Electrical properties* ¹¹⁾

Amendment 1 (1997)

Amendment 2 (2004)

IEC 60851-6:1996, *Winding wires – Test methods – Part 6: Thermal properties*

Amendment 1 (1997)

IEC 60878:2003, *Graphical symbols for electrical equipment in medical practice*

7) There exists a consolidated edition 1.2 including IEC 60664-1:1992 and its Amendment 1 (2000) and Amendment 2 (2002).

8) There exists a consolidated edition 3.1, including IEC 60730-1:1999 and its Amendment 1 (2003)

9) There exists a consolidated edition 1.2, including IEC 60825-1:1993 and its Amendment 1 (1997) and Amendment 2 (2001).

10) There exists a consolidated edition 2.1, including IEC 60851-3:1996 and its Amendment 1 (1997).

11) There exists a consolidated edition 3.2, including IEC 60851-5:1996 and its Amendment 1 (1997) and Amendment 2 (2004).

IEC 60884-1, *Plugs and socket-outlets for household and similar purposes - Part 1: General requirements*

IEC 60950-1:2001, *Information technology equipment – Safety – Part 1: General requirements*

IEC 61058-1:2000, *Switches for appliances – Part 1: General requirements* ¹²⁾
Amendment 1 (2001)

IEC 61558-1:1997, *Safety of power transformers, power supply units and similar – Part 1: General requirements and tests* ¹³⁾
Amendment 1 (1998)

IEC 61558-2-1, *Safety transformers, power supply units and similar – Part 2: Particular requirements for separating transformers for general use*

IEC 61672-1, *Electroacoustics – Sound level meters – Part 1: Specifications*

IEC 61672-2, *Electroacoustics – Sound level meters – Part 2: Pattern evaluation tests*

IEC 61965, *Mechanical safety of cathode ray tubes*

ISO 31 (all parts), *Quantities and units*

ISO 780, *Packaging – Pictorial marking for handling of goods*

ISO 1000, *SI units and recommendations for the use of their multiples and of certain other units*

ISO 1853, *Conducting and dissipative rubbers, vulcanized or thermoplastic – Measurement of resistivity*

ISO 2878, *Rubber, vulcanized – Antistatic and conductive products – Determination of electrical resistance*

ISO 2882 ¹⁴⁾, *Rubber, vulcanized – Antistatic and conductive products for hospital use – Electrical resistance limits*

ISO 3746, *Acoustics – Determination of sound power levels of noise sources using sound pressure – Survey method using an enveloping measurement surface over a reflecting plane*

ISO 3864-1:2002, *Graphical symbols – Safety colours and safety signs – Part 1: Design principles for safety signs in workplaces and public areas*

¹²⁾ There exists a consolidated edition 3.1, including IEC 61058-1:2000 and its Amendment 1 (2001)

¹³⁾ There exists a consolidated edition 1.1, including IEC 61558-1:1997 and its Amendment 1 (1998).

¹⁴⁾ ISO 2882 was withdrawn on 1 February 2005 and no replacement standard has been identified.

ISO 5349-1, *Mechanical vibration – Measurement and evaluation of human exposure to hand-transmitted vibration – Part 1: General requirements*

ISO 7000-DB:2004 ¹⁵⁾, *Graphical symbols for use on equipment – Collection of symbols*

ISO 7010:2003, *Graphical symbols – Safety colours and safety signs – Safety signs used in workplaces and public areas*

ISO 9614-1, *Acoustics – Determination of sound power levels of noise sources using sound intensity – Measurement at discrete points*

ISO 10993 (all parts), *Biological evaluation of medical devices*

ISO 11134, *Sterilization of health care products – Requirements for validation and routine control – Industrial moist heat sterilization*

ISO 11135, *Medical devices – Validation and routine control of ethylene oxide sterilization*

ISO 11137, *Sterilization of health care products – Requirements for validation and routine control – Radiation sterilization*

ISO 13852, *Safety of machinery – Safety distances to prevent danger zones being reached by the upper limbs*

ISO 14971:2000, *Medical devices – Application of risk management to medical devices*

ISO 15223, *Medical devices – Symbols to be used with medical device labels, labelling and information to be supplied*

ISO 23529, *Rubber – General procedures for preparing and conditioning test pieces for physical test methods*

3 * Terminology and definitions

For the purposes of this document, the following terms and definitions apply.

NOTE 1 Where the terms “voltage” and “current” are used in this document, they mean the r.m.s. values of an alternating, direct or composite voltage or current unless stated otherwise.

NOTE 2 The term “electrical equipment” is used to mean ME EQUIPMENT (see 3.63) or other electrical equipment. This standard also uses the term “equipment” to mean ME EQUIPMENT or other electrical or non-electrical equipment in the context of an ME SYSTEM (see 3.64).

NOTE 3 An index is found beginning on page 749.

¹⁵⁾ "DB" refers to the joint ISO-IEC on-line database.

3.1**ACCESS COVER**

part of an ENCLOSURE or GUARD providing the possibility of access to electrical equipment parts for the purpose of adjustment, inspection, replacement or repair

3.2**ACCESSIBLE PART**

part of electrical equipment other than an APPLIED PART that can be touched by means of the standard test finger

NOTE See also 5.9.2.1.

3.3**ACCESSORY**

additional part for use with equipment in order to:

- achieve the INTENDED USE,
- adapt it to some special use,
- facilitate its use,
- enhance its performance, or
- enable its functions to be integrated with those of other equipment

[IEC 60788:2004, rm-83-06 modified]

3.4**ACCOMPANYING DOCUMENT**

document accompanying ME EQUIPMENT, an ME SYSTEM, equipment or an ACCESSORY and containing information for the RESPONSIBLE ORGANIZATION or OPERATOR, particularly regarding BASIC SAFETY and ESSENTIAL PERFORMANCE

3.5**AIR CLEARANCE**

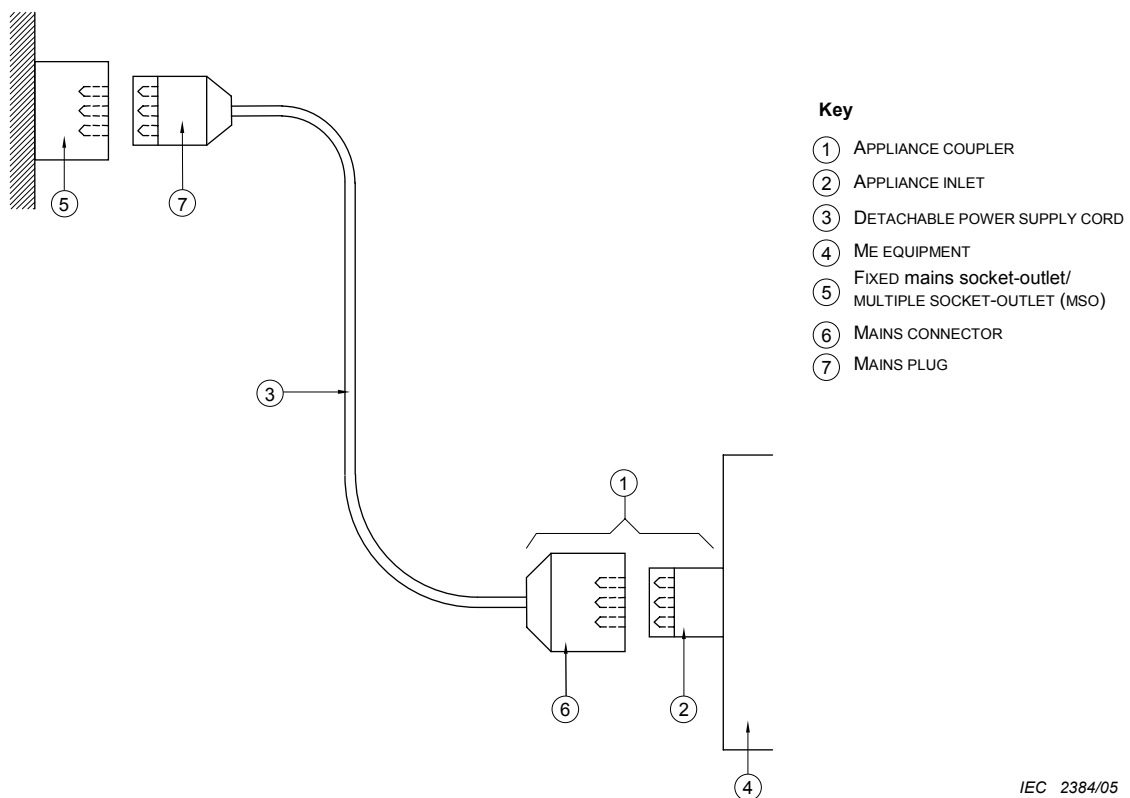
shortest path in air between two conductive parts

NOTE Adapted from IEC 60664-1, definition 1.3.2.

3.6**APPLIANCE COUPLER**

means enabling the connection of a flexible cord to electrical equipment without the use of a TOOL, consisting of two parts: a MAINS CONNECTOR and an APPLIANCE INLET

NOTE See Figure 1.



IEC 2384/05

Figure 1 – Detachable mains connection
(see definitions)

3.7

APPLIANCE INLET

part of an APPLIANCE COUPLER either integrated in or FIXED to electrical equipment

NOTE See Figure 1 and Figure 2.

3.8

* APPLIED PART

part of ME EQUIPMENT that in NORMAL USE necessarily comes into physical contact with the PATIENT for ME EQUIPMENT or an ME SYSTEM to perform its function

NOTE 1 See Figure 3, Figure 4 and Figure A.1 to Figure A.7 (inclusive).

NOTE 2 See also 4.6 regarding the treatment of parts that do not fall within the definition of APPLIED PARTS but need to be treated as APPLIED PARTS as a result of applying the RISK MANAGEMENT PROCESS.

NOTE 3 See also 3.7.8 for the definition of the associated term PATIENT CONNECTION.

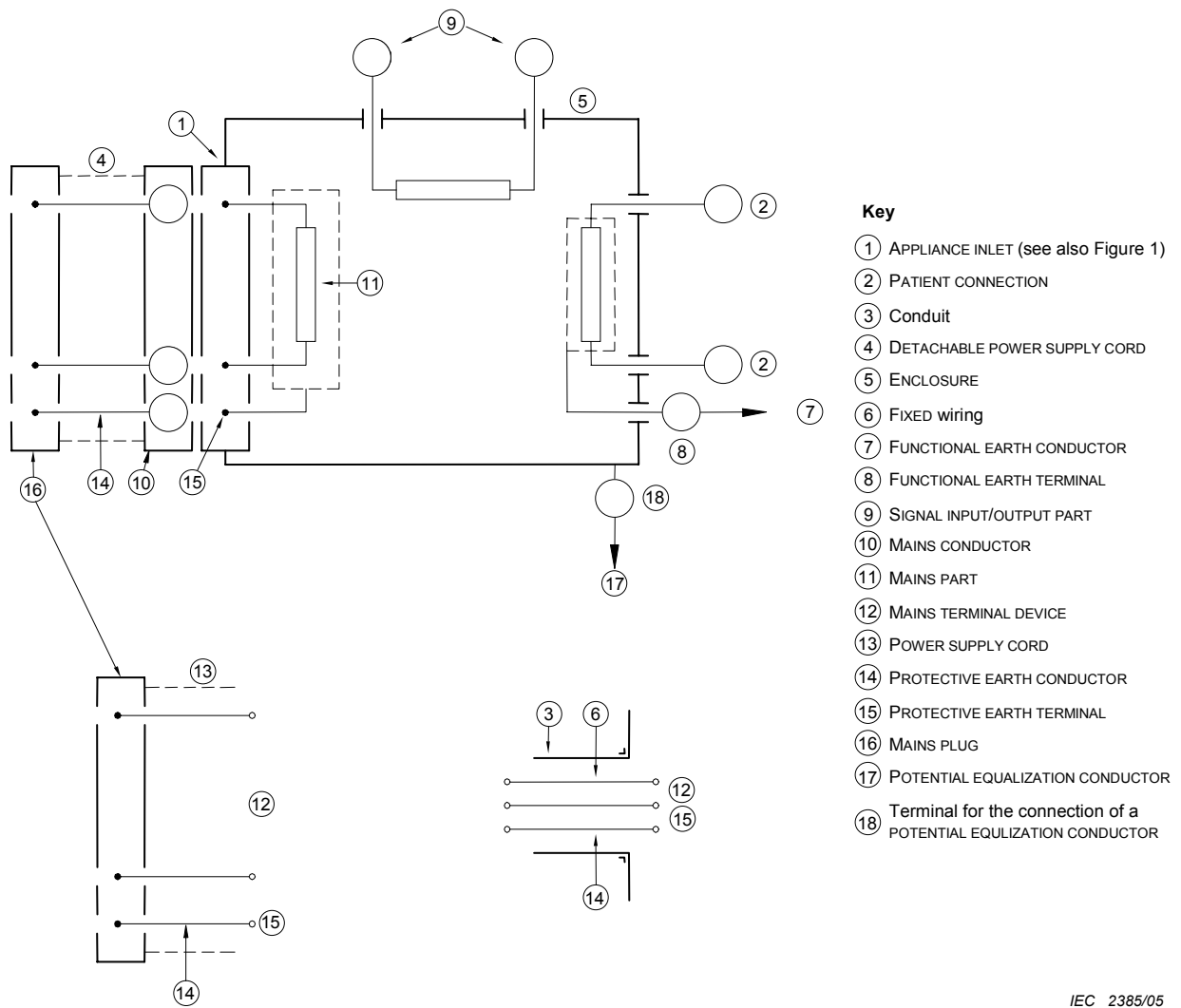
3.9

* BASIC INSULATION

insulation providing basic protection against electric shock

[IEV 826-12-14, modified]

NOTE BASIC INSULATION provides one MEANS OF PROTECTION.



IEC 2385/05

Figure 2 – Example of the defined terminals and conductors
(see definitions)

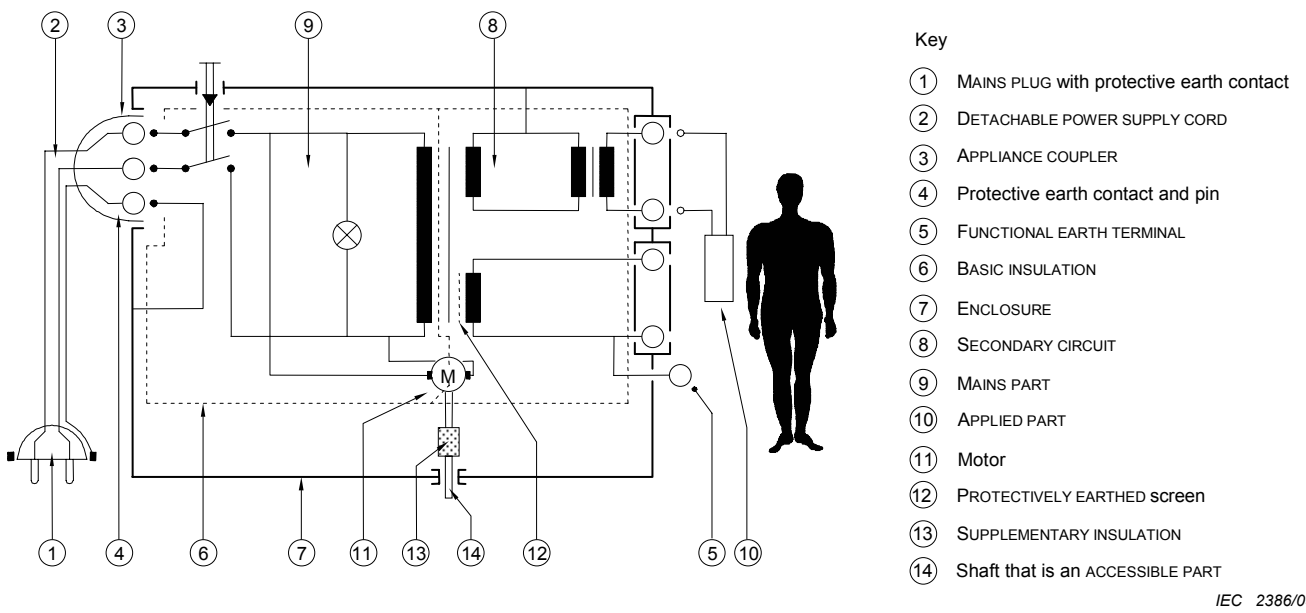


Figure 3 – Example of a CLASS I ME EQUIPMENT
(see definitions)

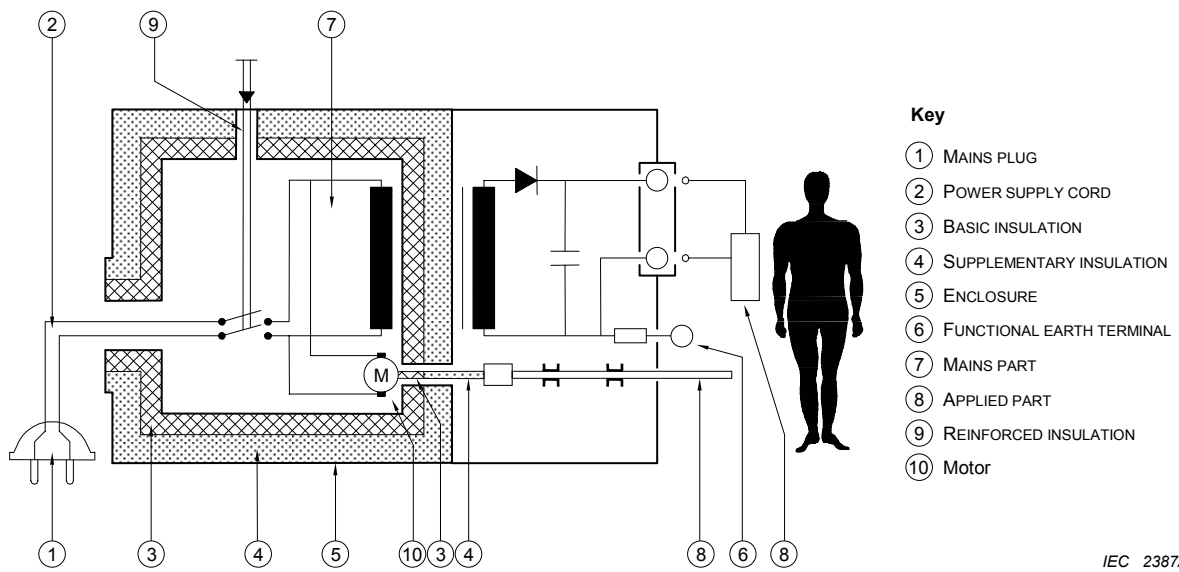


Figure 4 – Example of a metal-enclosed CLASS II ME EQUIPMENT
(see definitions)

3.10*** BASIC SAFETY**

freedom from unacceptable RISK directly caused by physical HAZARDS when ME EQUIPMENT is used under NORMAL CONDITION and SINGLE FAULT CONDITION

3.11**CATEGORY AP**

rating for ME EQUIPMENT or an ME EQUIPMENT part complying with specified requirements on construction, marking and documentation in order to avoid sources of ignition in a FLAMMABLE ANAESTHETIC MIXTURE WITH AIR

3.12**CATEGORY APG**

rating for ME EQUIPMENT or an ME EQUIPMENT part complying with specified requirements on construction, marking and documentation in order to avoid sources of ignition in a FLAMMABLE ANAESTHETIC MIXTURE WITH OXYGEN OR NITROUS OXIDE

3.13**CLASS I**

term referring to electrical equipment in which protection against electric shock does not rely on BASIC INSULATION only, but which includes an additional safety precaution in that means are provided for ACCESSIBLE PARTS of metal or internal parts of metal to be PROTECTIVELY EARTHED

NOTE See Figure 3.

3.14**CLASS II**

term referring to electrical equipment in which protection against electric shock does not rely on BASIC INSULATION only, but in which additional safety precautions such as DOUBLE INSULATION or REINFORCED INSULATION are provided, there being no provision for protective earthing or reliance upon installation conditions

NOTE 1 See Figure 4.

NOTE 2 CLASS II equipment can be provided with a FUNCTIONAL EARTH TERMINAL or a FUNCTIONAL EARTH CONDUCTOR. See also 8.6.8 and 8.6.9.

3.15**CLEARLY LEGIBLE**

capable of being read by a person with normal vision

NOTE See also 7.1.2.

3.16**COLD CONDITION**

condition obtained if electrical equipment is de-energized for a sufficiently long time to attain the ambient temperature

3.17*** COMPONENT WITH HIGH-INTEGRITY CHARACTERISTICS**

component where one or more characteristics ensure that its function is fault-free in relation to the safety requirements of this standard during the EXPECTED SERVICE LIFE of the ME EQUIPMENT in NORMAL USE and reasonably foreseeable misuse

3.18*** CONTINUOUS OPERATION**

operation in NORMAL USE for an unlimited period of time without the specified limits of temperature being exceeded

3.19**CREEPAGE DISTANCE**

shortest distance along the surface of the insulating material between two conductive parts

[IEV 151-15-50, modified]

3.20*** DEFIBRILLATION-PROOF APPLIED PART**

APPLIED PART that is protected against the effects of a discharge of a cardiac defibrillator to the PATIENT

3.21*** DETACHABLE POWER SUPPLY CORD**

flexible cord intended to be connected to electrical equipment by means of a suitable APPLIANCE COUPLER for mains supply purposes

NOTE See Figure 1, Figure 2 and Figure 3.

3.22*** DIRECT CARDIAC APPLICATION**

use of APPLIED PART that can come in direct contact with the PATIENT'S heart

3.23*** DOUBLE INSULATION**

insulation comprising both BASIC INSULATION and SUPPLEMENTARY INSULATION

[IEV 195-06-08]

NOTE DOUBLE INSULATION provides two MEANS OF PROTECTION.

3.24*** DUTY CYCLE**

maximum activation (on) time followed by minimum deactivation (off) time necessary for the safe operation of the ME EQUIPMENT

3.25**EARTH LEAKAGE CURRENT**

current flowing from the MAINS PART through or across the insulation into the PROTECTIVE EARTH CONDUCTOR

3.26*** ENCLOSURE**

exterior surface of electrical equipment or parts thereof

NOTE For the purpose of testing to this standard, metal foil, with specified dimensions, applied in contact with parts of the exterior surface made of material with low conductivity or made of insulating material is considered a part of the ENCLOSURE (see Figure 2, Figure 3 and Figure 4).

3.27*** ESSENTIAL PERFORMANCE**

performance necessary to achieve freedom from unacceptable RISK

NOTE ESSENTIAL PERFORMANCE is most easily understood by considering whether its absence or degradation would result in an unacceptable RISK.

3.28**EXPECTED SERVICE LIFE**

maximum period of useful life as defined by the MANUFACTURER

3.29**F-TYPE ISOLATED (FLOATING) APPLIED PART** (herein F-TYPE APPLIED PART)

APPLIED PART in which the PATIENT CONNECTIONS are isolated from other parts of the ME EQUIPMENT to such a degree that no current higher than the allowable PATIENT LEAKAGE CURRENT flows if an unintended voltage originating from an external source is connected to the PATIENT, and thereby applied between the PATIENT CONNECTION and earth

NOTE F-TYPE APPLIED PARTS are either TYPE BF APPLIED PARTS or TYPE CF APPLIED PARTS.

3.30**FIXED**

term meaning fastened or otherwise secured at a specific location either permanently or so that it can only be detached by means of a TOOL

EXAMPLE 1 Permanently affixed by welding, etc.

EXAMPLE 2 Affixed by means of fasteners (screws, nuts, etc.) making removal/opening impossible without using a TOOL.

3.31**FLAMMABLE ANAESTHETIC MIXTURE WITH AIR**

mixture of a flammable anaesthetic vapour with air in such a concentration that ignition can occur under specified conditions

3.32**FLAMMABLE ANAESTHETIC MIXTURE WITH OXYGEN OR NITROUS OXIDE**

mixture of a flammable anaesthetic vapour with oxygen or with nitrous oxide in such a concentration that ignition can occur under specified conditions

3.33*** FUNCTIONAL CONNECTION**

connection, electrical or otherwise, including those intended to transfer signals, data, power or substances

NOTE Connection to a FIXED SUPPLY MAINS socket-outlet, whether single or multiple, is not considered to result in a FUNCTIONAL CONNECTION.

3.34**FUNCTIONAL EARTH CONDUCTOR**

conductor to be connected to a FUNCTIONAL EARTH TERMINAL

NOTE See Figure 2.

3.35*** FUNCTIONAL EARTH TERMINAL**

terminal, directly connected to a circuit or to a screening part, that is intended to be earthed for functional purposes

NOTE See Figure 2, Figure 3 and Figure 4.

3.36**GUARD**

part of equipment specifically used to provide protection by means of a physical barrier

NOTE Depending on its construction, a GUARD can be called a casing, cover, screen, door, enclosing guard, etc. A GUARD can act:

- alone; it is then only effective when it is in place;
- in conjunction with an interlocking device with or without guard locking; in this case, protection is ensured whatever the position of the GUARD.

3.37

HAND-HELD

term referring to electrical equipment intended to be supported by the hand during NORMAL USE

3.38

*** HARM**

physical injury or damage to the health of people or animals, or damage to property or the environment

[ISO 14971:2000, definition 2.2, modified]

3.39

HAZARD

potential source of HARM

[ISO 14971:2000, definition 2.3]

3.40

*** HAZARDOUS SITUATION**

circumstance in which people, property, or the environment are exposed to one or more HAZARD(S)

[ISO/IEC Guide 51:1999, definition 3.6]

3.41

HIGH VOLTAGE

voltage over 1 000 V a.c. or over 1 500 V d.c. or over 1 500 V peak value

3.42

HYDRAULIC TEST PRESSURE

pressure applied to test a vessel or part of it

NOTE See 9.7.5.

3.43

INSULATION CO-ORDINATION

mutual correlation of insulation characteristics of electrical equipment taking into account the expected micro-environment and other influencing stresses

3.44

*** INTENDED USE**

INTENDED PURPOSE

use of a product, PROCESS or service in accordance with the specifications, instructions and information provided by the MANUFACTURER

[ISO 14971:2000, definition 2.5]

NOTE INTENDED USE should not be confused with NORMAL USE. While both include the concept of use as intended by the MANUFACTURER, INTENDED USE focuses on the medical purpose while NORMAL USE incorporates not only the medical purpose, but maintenance, service, transport, etc. as well.

3.45**INTERNAL ELECTRICAL POWER SOURCE**

electrical power source for operating equipment that is a part of the equipment and which produces electrical current from some other form of energy

EXAMPLE Chemical, mechanical, solar, or nuclear

NOTE An INTERNAL ELECTRICAL POWER SOURCE can be inside the principal part of equipment, attached to the outside, or contained in a separate ENCLOSURE.

3.46**INTERNALLY POWERED**

term referring to electrical equipment that is able to operate from an INTERNAL ELECTRICAL POWER SOURCE

3.47**LEAKAGE CURRENT**

current that is not functional

NOTE The following LEAKAGE CURRENTS are defined: EARTH LEAKAGE CURRENT, TOUCH CURRENT and PATIENT LEAKAGE CURRENT.

3.48**MAINS CONNECTOR**

part of an APPLIANCE COUPLER integral with or intended to be attached to a flexible cord that is intended to be connected to the SUPPLY MAINS

NOTE A MAINS CONNECTOR is intended to be inserted into the APPLIANCE INLET of electrical equipment (see Figure 1 and Figure 2).

3.49*** MAINS PART**

electrical circuit that is intended to be connected to the SUPPLY MAINS

NOTE 1 The MAINS PART includes all conductive parts that are not separated from the SUPPLY MAINS by at least one MEANS OF PROTECTION.

NOTE 2 For the purpose of this definition, the PROTECTIVE EARTH CONDUCTOR is not regarded as a part of the MAINS PART (see Figure 2 and Figure 3).

3.50*** MAINS PLUG**

part, integral with or intended to be attached to a POWER SUPPLY CORD of electrical equipment, to be inserted into a mains socket-outlet

NOTE 1 See Figure 1.

NOTE 2 See also IEC 60083 and IEC 60309-1 [8].

3.51**MAINS SUPPLY TRANSFORMER**

static piece of equipment with two or more windings which, by electro-magnetic induction, transforms an alternating voltage and current from a SUPPLY MAINS into a voltage and current usually of different values at the same frequency

3.52**MAINS TERMINAL DEVICE**

TERMINAL DEVICE by which the electrical connection to the SUPPLY MAINS is made

NOTE See Figure 2.

3.53**MAINS TRANSIENT VOLTAGE**

highest peak voltage expected at the power input to the electrical equipment, arising from external transients on the SUPPLY MAINS

3.54**MAINS VOLTAGE**

voltage of a SUPPLY MAINS between two line conductors of a polyphase system or voltage between the line conductor and the neutral conductor of a single-phase system

3.55**MANUFACTURER**

natural or legal person with responsibility for the design, manufacture, packaging, or labelling of ME EQUIPMENT, assembling an ME SYSTEM, or adapting ME EQUIPMENT or an ME SYSTEM, regardless of whether these operations are performed by that person or on that person's behalf by a third party

NOTE 1 ISO 13485 [30] defines "labelling" as written, printed or graphic matter

- affixed to a medical device or any of its containers or wrappers, or
- accompanying a medical device,

related to identification, technical description, and use of the medical device, but excluding shipping documents. In this standard, that material is described as markings and ACCOMPANYING DOCUMENTS.

NOTE 2 "Adapting" includes making substantial modifications to ME EQUIPMENT or an ME SYSTEM already in use.

NOTE 3 In some jurisdictions, the RESPONSIBLE ORGANIZATION can be considered a MANUFACTURER when involved in the activities described.

NOTE 4 Adapted from ISO 14971:2000, definition 2.6.

3.56*** MAXIMUM MAINS VOLTAGE**

voltage used for test purposes related to the voltage of the SUPPLY MAINS and connected to certain ME EQUIPMENT parts

NOTE The value for MAXIMUM MAINS VOLTAGE is determined according to 8.5.3.

3.57*** MAXIMUM PERMISSIBLE WORKING PRESSURE**

maximum pressure permitted on a component according to a declaration of the manufacturer of such component

3.58*** MEANS OF OPERATOR PROTECTION****MOOP**

MEANS OF PROTECTION for reducing the RISK due to electric shock to persons other than the PATIENT

3.59*** MEANS OF PATIENT PROTECTION****MOPP**

MEANS OF PROTECTION for reducing the RISK due to electric shock to the PATIENT

3.60*** MEANS OF PROTECTION****MOP**

means for reducing the RISK due to electric shock in accordance with the requirements of this standard

NOTE MEANS OF PROTECTION include insulation, AIR CLEARANCES, CREEPAGE DISTANCES, impedances, and PROTECTIVE EARTH CONNECTIONS.

3.61**MECHANICAL HAZARD**

HAZARD connected with or produced by physical force

3.62**MECHANICAL PROTECTIVE DEVICE**

device that eliminates or reduces mechanical RISK to an acceptable level and which operates in the case of SINGLE FAULT CONDITION

3.63*** MEDICAL ELECTRICAL EQUIPMENT****ME EQUIPMENT**

electrical equipment having an APPLIED PART or transferring energy to or from the PATIENT or detecting such energy transfer to or from the PATIENT and which is:

- a) provided with not more than one connection to a particular SUPPLY MAINS; and
- b) intended by its MANUFACTURER to be used:
 - 1) in the diagnosis, treatment, or monitoring of a PATIENT; or
 - 2) for compensation or alleviation of disease, injury or disability

NOTE 1 ME EQUIPMENT includes those ACCESSORIES as defined by the MANUFACTURER that are necessary to enable the NORMAL USE of the ME EQUIPMENT.

NOTE 2 Not all electrical equipment used in medical practice falls within this definition (e.g. some in vitro diagnostic equipment).

NOTE 3 The implantable parts of active implantable medical devices can fall within this definition, but they are excluded from the scope of this standard by appropriate wording in Clause 1.

NOTE 4 This standard uses the term "electrical equipment" to mean ME EQUIPMENT or other electrical equipment.

NOTE 5 See also 4.10.1, 8.2.1 and 16.3.

3.64*** MEDICAL ELECTRICAL SYSTEM****ME SYSTEM**

combination, as specified by its MANUFACTURER, of items of equipment, at least one of which is ME EQUIPMENT to be inter-connected by FUNCTIONAL CONNECTION or by use of a MULTIPLE SOCKET-OUTLET

NOTE Equipment, when mentioned in this standard, should be taken to include ME EQUIPMENT.

3.65**MOBILE**

term referring to TRANSPORTABLE equipment intended to be moved from one location to another while supported by its own wheels or equivalent means

3.66*** MODEL OR TYPE REFERENCE**

combination of figures, letters or both used to identify a particular model of equipment or ACCESSORY

3.67*** MULTIPLE SOCKET-OUTLET****MSO**

one or more socket-outlets intended to be connected to, or integral with, flexible cables or cords or ME EQUIPMENT for SUPPLY MAINS or equivalent voltage

NOTE A MULTIPLE SOCKET-OUTLET can be a separate item or an integral part of equipment.

3.68*** NETWORK/DATA COUPLING**

any means to transmit or receive information to or from other equipment in accordance with the MANUFACTURER'S specifications

3.69**NOMINAL (value)**

value quoted for reference purposes that is subject to agreed tolerances

EXAMPLE NOMINAL MAINS VOLTAGE or NOMINAL diameter of a screw

3.70**NORMAL CONDITION**

condition in which all means provided for protection against HAZARDS are intact

3.71**NORMAL USE**

operation, including routine inspection and adjustments by any OPERATOR, and stand-by, according to the instructions for use

NOTE NORMAL USE should not be confused with INTENDED USE. While both include the concept of use as intended by the MANUFACTURER, INTENDED USE focuses on the medical purpose while NORMAL USE incorporates not only the medical purpose, but maintenance, service, transport, etc. as well.

3.72**OBJECTIVE EVIDENCE**

information which can be proven true, based on facts obtained through observation, measurement, test or other means

[ISO 14971:2000, definition 2.8]

3.73*** OPERATOR**

person handling equipment

NOTE See also 3.101.

3.74**OVER-CURRENT RELEASE**

protective device that causes a circuit to open, with or without time-delay, when the current in the device exceeds a predetermined value

[IEV 441-16-33, modified]

3.75*** OXYGEN RICH ENVIRONMENT**

environment in which the concentration of oxygen is:

- a) greater than 25 % for ambient pressures up to 110 kPa; or
- b) the partial pressure of oxygen is greater than 27,5 kPa at ambient pressures exceeding 110 kPa

3.76**PATIENT**

living being (person or animal) undergoing a medical, surgical or dental procedure

3.77*** PATIENT AUXILIARY CURRENT**

current flowing in the PATIENT in NORMAL USE between any PATIENT CONNECTION and all other PATIENT CONNECTIONS and not intended to produce a physiological effect

3.78*** PATIENT CONNECTION**

individual point on the APPLIED PART through which current can flow between the PATIENT and the ME EQUIPMENT in NORMAL CONDITION or SINGLE FAULT CONDITION

3.79*** PATIENT ENVIRONMENT**

any volume in which intentional or unintentional contact can occur between a PATIENT and parts of the ME EQUIPMENT or ME SYSTEM or between a PATIENT and other persons touching parts of the ME EQUIPMENT or ME SYSTEM

3.80**PATIENT LEAKAGE CURRENT**

current:

- flowing from the PATIENT CONNECTIONS via the PATIENT to earth; or
- originating from the unintended appearance of a voltage from an external source on the PATIENT and flowing from the PATIENT via the PATIENT CONNECTIONS of an F-TYPE APPLIED PART to earth

3.81*** PEAK WORKING VOLTAGE**

highest peak or d.c. value of a WORKING VOLTAGE, including repetitive peak impulses generated in the electrical equipment, but not including external transients

[IEC 60950-1:2001, definition 1.2.9.7, modified]

3.82**PEMS DEVELOPMENT LIFE-CYCLE**

necessary activities occurring during a period of time that starts at the concept phase of a project and finishes when the PEMS VALIDATION is complete

NOTE See also 3.90.

3.83**PEMS VALIDATION**

PROCESS of evaluating a PEMS or a component of a PEMS during or at the end of the development PROCESS, to determine whether it satisfies the requirements for its INTENDED USE

NOTE See also 3.90.

3.84**PERMANENTLY INSTALLED**

term meaning electrically connected to the SUPPLY MAINS by means of a permanent connection that can only be detached by the use of a TOOL

3.85**PORTABLE**

term referring to TRANSPORTABLE equipment intended to be moved from one location to another while being carried by one or more persons

3.86**POTENTIAL EQUALIZATION CONDUCTOR**

conductor other than a PROTECTIVE EARTH CONDUCTOR or a neutral conductor, providing a direct connection between electrical equipment and the potential equalization busbar of the electrical installation

NOTE See Figure 2.

3.87**POWER SUPPLY CORD**

flexible cord, FIXED to or assembled with electrical equipment for connection to SUPPLY MAINS

NOTE See Figure 1 to Figure 4 (inclusive).

3.88**PROCEDURE**

specific way to perform an activity

[ISO 14971:2000, definition 2.9]

3.89**PROCESS**

set of inter-related resources and activities which transform inputs into outputs

[ISO 14971:2000, definition 2.10]

3.90**PROGRAMMABLE ELECTRICAL MEDICAL SYSTEM****PEMS**

ME EQUIPMENT or an ME SYSTEM containing one or more PROGRAMMABLE ELECTRONIC SUBSYSTEMS (PESS)

3.91**PROGRAMMABLE ELECTRONIC SUBSYSTEM****PESS**

system based on one or more central processing units, including their software and interfaces

3.92**PROPERLY INSTALLED**

installed in accordance with the ACCOMPANYING DOCUMENTS

3.93**PROTECTIVE EARTH CONDUCTOR**

conductor to be connected between the PROTECTIVE EARTH TERMINAL and an external protective earthing system

NOTE See Figure 2.

3.94**PROTECTIVE EARTH CONNECTION**

connection to the PROTECTIVE EARTH TERMINAL provided for protective purposes and complying with the requirements of this standard

3.95**PROTECTIVE EARTH TERMINAL**

terminal connected to conductive parts of CLASS I equipment for safety purposes. This terminal is intended to be connected to an external protective earthing system by a PROTECTIVE EARTH CONDUCTOR

NOTE See Figure 2.

3.96**PROTECTIVELY EARTHED**

connected to the PROTECTIVE EARTH TERMINAL for protective purposes by means complying with the requirements of this standard

3.97**RATED (value)**

term referring to a value assigned by the MANUFACTURER for a specified operating condition

3.98**RECORD**

document which furnishes OBJECTIVE EVIDENCE of activities performed or results achieved [ISO 14971:2000, definition 2.11]

3.99*** REINFORCED INSULATION**

single insulation system that provides two MEANS OF PROTECTION

3.100**RESIDUAL RISK**

RISK remaining after protective measures have been taken

[ISO 14971:2000, definition 2.12]

3.101**RESPONSIBLE ORGANIZATION**

entity accountable for the use and maintenance of an ME EQUIPMENT or an ME SYSTEM

NOTE 1 The accountable entity can be, for example, a hospital, an individual clinician or a layperson. In home use applications, the PATIENT, OPERATOR and RESPONSIBLE ORGANIZATION can be one and the same person.

NOTE 2 Education and training is included in “use.”

3.102**RISK**

combination of the probability of occurrence of HARM and the SEVERITY of that HARM

[ISO 14971:2000, definition 2.13]

3.103**RISK ANALYSIS**

systematic use of available information to identify HAZARDS and to estimate the RISK

[ISO 14971:2000, definition 2.14]

3.104**RISK ASSESSMENT**

overall PROCESS comprising a RISK ANALYSIS and a RISK EVALUATION

[ISO 14971:2000, definition 2.15]

3.105**RISK CONTROL**

PROCESS through which decisions are reached and protective measures are implemented for reducing RISKS to, or maintaining RISKS within, specified levels

[ISO 14971:2000, definition 2.16]

3.106**RISK EVALUATION**

judgement, on the basis of RISK ANALYSIS, of whether a RISK which is acceptable has been achieved in a given context based on the current values of society

[ISO 14971:2000, definition 2.17]

3.107**RISK MANAGEMENT**

systematic application of management policies, PROCEDURES and practices to the tasks of analyzing, evaluating and controlling RISK

[ISO 14971:2000, definition 2.18]

3.108**RISK MANAGEMENT FILE**

set of RECORDS and other documents, not necessarily contiguous, that are produced by a RISK MANAGEMENT PROCESS

[ISO 14971:2000, definition 2.19]

NOTE All safety related information including MANUFACTURER'S calculations, test results, etc. is considered to be part of the RISK MANAGEMENT FILE. See also 4.2.

3.109**SAFE WORKING LOAD**

maximum external mechanical load (mass) on equipment or an equipment part that is permitted in NORMAL USE

3.110*** SECONDARY CIRCUIT**

circuit which is separated from the MAINS PART by at least one MEANS OF PROTECTION and derives its power from a transformer, converter or equivalent isolation device, or from an INTERNAL ELECTRICAL POWER SOURCE

NOTE See also 8.9.1.12.

3.111**SELF-RESETTING THERMAL CUT-OUT**

THERMAL CUT-OUT that automatically restores the current after the relevant part of electrical equipment has cooled

3.112*** SEPARATION DEVICE**

component or arrangement of components with input parts and output parts that, for safety reasons, prevents a transfer of unwanted voltage or current between parts of an ME SYSTEM

3.113**SERVICE PERSONNEL**

individuals or entity accountable to the RESPONSIBLE ORGANIZATION that install, assemble, maintain or repair ME EQUIPMENT, ME SYSTEMS or equipment

3.114**SEVERITY**

measure of the possible consequences of a HAZARD

[ISO 14971:2000, definition 2.21]

3.115*** SIGNAL INPUT/OUTPUT PART****SIP/SOP**

part of ME EQUIPMENT, not being an APPLIED PART, intended to deliver or receive signals to or from other electrical equipment, for example, for display, recording or data processing

NOTE See Figure 2.

3.116**SINGLE FAULT CONDITION**

condition in which a single means for reducing a RISK is defective or a single abnormal condition is present

NOTE See 4.7 and 13.2.

3.117**SINGLE FAULT SAFE**

characteristic of ME EQUIPMENT or its parts whereby it remains free of unacceptable RISK during its EXPECTED SERVICE LIFE under SINGLE FAULT CONDITIONS

NOTE See 4.7.

3.118**STATIONARY**

term referring to equipment that is not intended to be moved from one place to another

3.119**SUPPLEMENTARY INSULATION**

independent insulation applied in addition to BASIC INSULATION in order to provide protection against electric shock in the event of a failure of BASIC INSULATION

[IEV 826-12-15, modified]

NOTE SUPPLEMENTARY INSULATION provides one MEANS OF PROTECTION.

3.120*** SUPPLY MAINS**

source of electrical energy not forming part of ME EQUIPMENT or ME SYSTEM

NOTE This also includes battery systems and converter systems in ambulances and the like.

3.121**TENSILE SAFETY FACTOR**

ratio between TENSILE STRENGTH and the stress corresponding to the TOTAL LOAD

3.122**TENSILE STRENGTH**

maximum tensile stress a test piece will withstand before rupturing

3.123**TERMINAL DEVICE**

part of electrical equipment by which electrical connection is made

NOTE A TERMINAL DEVICE can contain several individual contacts.

3.124**THERMAL CUT-OUT**

device that, during an abnormal condition, limits the temperature of electrical equipment or of part of it, by automatically opening the circuit or by reducing the current, and that is so constructed that its setting cannot be altered except by qualified SERVICE PERSONNEL

3.125**THERMAL STABILITY**

condition under which the temperature of an object does not increase by more than 2 °C over a period of 1 h

3.126**THERMOSTAT**

temperature sensing control that is intended to keep a temperature within a specific range or above/below a preset value

3.127**TOOL**

extra-corporeal object that can be used to secure or release fasteners or to make adjustments

NOTE Coins and keys are considered TOOLS within the context of this standard.

3.128**TOTAL LOAD**

maximum total loading of a part including the maximum SAFE WORKING LOAD, where applicable, and the static and dynamic forces occurring in NORMAL USE

NOTE 1 Examples of dynamic forces include forces caused by acceleration or deceleration of masses.

NOTE 2 Where a load is divided over several parallel supporting parts and the distribution over these parts is not determined unequivocally, the least favourable possibility is to be considered.

3.129**TOUCH CURRENT**

LEAKAGE CURRENT flowing from the ENCLOSURE or from parts thereof, excluding PATIENT CONNECTIONS, accessible to any OPERATOR or PATIENT in NORMAL USE, through an external path other than the PROTECTIVE EARTH CONDUCTOR, to earth or to another part of the ENCLOSURE

NOTE The meaning of this term is the same as that of "enclosure leakage current" in the first and second editions of this standard. The term has been changed to align with IEC 60950-1 and to reflect the fact that the measurement now applies also to parts that are normally PROTECTIVELY EARTHED.

3.130**TRANSPORTABLE**

term referring to equipment that is intended to be moved from one place to another whether or not connected to a supply and without an appreciable restriction of range

EXAMPLE MOBILE equipment and PORTABLE equipment.

3.131**TRAPPING ZONE**

accessible location on or within the ME EQUIPMENT, ME SYSTEM or in the equipment environment where a human body or a part of the human body is exposed to a trapping, crushing, shearing, impact, cutting, entanglement, drawing in, stabbing or abrasion HAZARD

3.132*** TYPE B APPLIED PART**

APPLIED PART complying with the specified requirements of this standard to provide protection against electric shock, particularly regarding allowable PATIENT LEAKAGE CURRENT and PATIENT AUXILIARY CURRENT

NOTE 1 A TYPE B APPLIED PART is marked with symbol IEC 60417-5840 (DB:2002-10) (see Table D.1, symbol 19) or, when applicable, with symbol IEC 60417-5841 (DB:2002-10) (see Table D.1, symbol 25). See also 3.20.

NOTE 2 TYPE B APPLIED PARTS are not suitable for DIRECT CARDIAC APPLICATION.

NOTE 3 See also 4.6 regarding the treatment of parts that do not fall within the definition of APPLIED PARTS but need to be considered as APPLIED PARTS as a result of applying the RISK MANAGEMENT PROCESS.

3.133*** TYPE BF APPLIED PART**

F-TYPE APPLIED PART complying with the specified requirements of this standard to provide a higher degree of protection against electric shock than that provided by TYPE B APPLIED PARTS

NOTE 1 A TYPE BF APPLIED PART is marked with symbol IEC 60417-5333 (DB:2002-10) (see Table D.1, symbol 20) or, when applicable, with symbol 60417-5334 (DB:2002-10) (see Table D.1, symbol 26). See also 3.20.

NOTE 2 TYPE BF APPLIED PARTS are not suitable for DIRECT CARDIAC APPLICATION.

NOTE 3 See also 4.6 regarding the treatment of parts that do not fall within the definition of APPLIED PARTS but need to be considered as APPLIED PARTS as a result of applying the RISK MANAGEMENT PROCESS.

3.134*** TYPE CF APPLIED PART**

F-TYPE APPLIED PART complying with the specified requirements of this standard to provide a higher degree of protection against electric shock than that provided by TYPE BF APPLIED PARTS

NOTE 1 A TYPE CF APPLIED PART is marked with symbol IEC 60417-5335 (DB:2002-10) (see Table D.1, symbol 21) or, when applicable, with symbol 60417-5336 (DB:2002-10) (see Table D.1, symbol 27). See also 3.20.

NOTE 2 See also 4.6 regarding the treatment of parts that do not fall within the definition of APPLIED PARTS but need to be considered as APPLIED PARTS as a result of applying the RISK MANAGEMENT PROCESS.

3.135

TYPE TEST

test on a representative sample of the equipment with the objective of determining if the equipment, as designed and manufactured, can meet the requirements of this standard

3.136

USABILITY

characteristic that establishes effectiveness, efficiency and OPERATOR learnability and satisfaction

[IEC 60601-1-6:2004, definition 2.211]

3.137

USABILITY ENGINEERING

application of knowledge about human behaviour, abilities, limitations, and other characteristics to the design of tools, machines, equipment, devices, systems, tasks, jobs, and environments to achieve adequate USABILITY

[IEC 60601-1-6:2004, definition 2.212]

3.138

VERIFICATION

confirmation by examination and provision of OBJECTIVE EVIDENCE that specified requirements have been fulfilled

NOTE In design and development, VERIFICATION concerns the PROCESS of examining the result of a given activity to determine conformity with the stated requirements for that activity.

[ISO 14971:2000, definition 2.22]

3.139

*** WORKING VOLTAGE**

highest voltage to which the insulation or the component under consideration is, or can be, subjected when the electrical equipment is operating under conditions of NORMAL USE

[IEC 60950-1:2001, definition 1.2.9.6]

4 General requirements

4.1 * Conditions for application to ME EQUIPMENT or ME SYSTEMS

Unless otherwise specified, the requirements of this standard shall apply in NORMAL USE and reasonably foreseeable misuse.

When applying this standard to ME EQUIPMENT or ME SYSTEMS intended for the compensation or alleviation of disease, injury or disability, the definitions and requirements that use the term PATIENT shall be considered as applying to the person for whom the ME EQUIPMENT or ME SYSTEM is intended.

4.2 * RISK MANAGEMENT PROCESS for ME EQUIPMENT or ME SYSTEMS

A RISK MANAGEMENT PROCESS complying with ISO 14971 shall be performed.

In applying ISO 14971:

- The term “medical device” shall assume the same meaning as ME EQUIPMENT or ME SYSTEM.

- The term “fault conditions” referred to in ISO 14971 shall include, but shall not be limited to, SINGLE FAULT CONDITIONS identified in this standard.
- The policy for determining acceptable RISK and the acceptability of the RESIDUAL RISK(S) shall be established by the MANUFACTURER.
- Where this standard or any of its collateral or particular standards specify verifiable requirements addressing particular RISKS, and these requirements are complied with, the RESIDUAL RISKS addressed by these requirements shall be presumed to be acceptable unless there is OBJECTIVE EVIDENCE to the contrary.

NOTE 1 This standard specifies requirements that are generally applicable to RISKS associated with ME EQUIPMENT or ME SYSTEMS, and is intended to serve as a tool during the RISK MANAGEMENT PROCESS. The RISK MANAGEMENT PROCESS should identify not only those HAZARDS addressed by this standard, but all HAZARDS, their associated RISKS and RISK CONTROL measures.

NOTE 2 Conditions or faults that can give rise to HAZARDS are identified in the clauses of this standard. In these cases, it will often be necessary to carry out a RISK MANAGEMENT PROCESS to determine what the actual HAZARDS are and the tests that need to be done to show that the identified HAZARDS do not arise in the specified circumstances.

NOTE 3 It is recognized that the MANUFACTURER might not be able to follow all the PROCESSES identified in this standard for each constituent component of the ME EQUIPMENT or ME SYSTEM, such as proprietary components, subsystems of non-medical origin, and legacy devices. In this case, the MANUFACTURER should take special account of the need for additional RISK CONTROL measures.

NOTE 4 Where requirements of this standard refer to freedom from unacceptable RISK, acceptability or unacceptability of this RISK is determined by the MANUFACTURER in accordance with the MANUFACTURER'S policy for determining acceptable RISK.

NOTE 5 Not all the RISKS associated with ME EQUIPMENT and ME SYSTEMS are subject to specific requirements of this standard (see 1.1).

Compliance is checked by inspection of the RISK MANAGEMENT FILE. The requirements of this clause and all requirements of this standard referring to inspection of the RISK MANAGEMENT FILE are considered to be satisfied if the MANUFACTURER has:

- *established a RISK MANAGEMENT PROCESS;*
- *established acceptable levels of RISK; and*
- *demonstrated that the RESIDUAL RISK(S) is acceptable (in accordance with the policy for determining acceptable RISK).*

4.3 * ESSENTIAL PERFORMANCE

The MANUFACTURER shall identify which functions of the ME EQUIPMENT and ME SYSTEMS are ESSENTIAL PERFORMANCE. Where this standard specifies that ESSENTIAL PERFORMANCE is to be maintained following a particular test, these functions shall be used and compliance shall be checked by inspection, and if necessary, by functional test.

NOTE Where requirements of this standard refer to ESSENTIAL PERFORMANCE, that ESSENTIAL PERFORMANCE is determined by the MANUFACTURER in accordance with the MANUFACTURER'S policy for RISK acceptability.

Compliance is checked by inspection of the RISK MANAGEMENT FILE.

4.4 * EXPECTED SERVICE LIFE

The MANUFACTURER shall state the EXPECTED SERVICE LIFE of the ME EQUIPMENT or ME SYSTEM in the RISK MANAGEMENT FILE.

Compliance is checked by inspection of the RISK MANAGEMENT FILE.

4.5 * Equivalent safety for ME EQUIPMENT or ME SYSTEMS

Where this standard specifies requirements addressing particular RISKS, alternative means of addressing these RISKS are acceptable provided that the MANUFACTURER can justify that the RESIDUAL RISKS that result from applying the alternative means are equal to or less than the RESIDUAL RISKS that result from applying the requirements of this standard.

Compliance is checked by inspection of the RISK MANAGEMENT FILE.

4.6 * ME EQUIPMENT or ME SYSTEM parts that contact the PATIENT

The RISK MANAGEMENT PROCESS shall include an assessment of whether parts that can come into contact with the PATIENT but fall outside of the definition of APPLIED PARTS shall be subject to the requirements for APPLIED PARTS. If the RISK MANAGEMENT PROCESS determines that such parts are subject to the requirements for APPLIED PARTS, then all the relevant requirements and tests of this standard shall apply, except that 7.2.10 does not apply to such parts.

Compliance is checked by inspection of the RISK MANAGEMENT FILE.

4.7 * SINGLE FAULT CONDITION for ME EQUIPMENT

ME EQUIPMENT shall be so designed and manufactured that it remains SINGLE FAULT SAFE, or the RISK remains acceptable as determined through application of 4.2.

NOTE 1 The NORMAL CONDITIONS identified in 8.1 a) are taken into consideration during evaluation of compliance with any requirement of this standard that they might affect.

ME EQUIPMENT is considered SINGLE FAULT SAFE if:

- a) it employs a single means for reducing a RISK that has a negligible probability of failure (e.g. REINFORCED INSULATION, suspended masses without MECHANICAL PROTECTIVE DEVICES employing a TENSILE SAFETY FACTOR of 8X, COMPONENT WITH HIGH-INTEGRITY CHARACTERISTICS), or
- b) a SINGLE FAULT CONDITION occurs, but:
 - the initial fault will be detected during the EXPECTED SERVICE LIFE of the ME EQUIPMENT and before a second means for reducing a RISK fails (e.g. suspended masses with MECHANICAL PROTECTIVE DEVICES); or
 - the probability that the second means of reducing the RISK will fail during the EXPECTED SERVICE LIFE of the ME EQUIPMENT is negligible.

Where a SINGLE FAULT CONDITION causes another SINGLE FAULT CONDITION, the two failures are considered as one SINGLE FAULT CONDITION.

During any test under SINGLE FAULT CONDITION, only one fault at a time shall be applied.

NOTE 2 Faults are generally divided into 3 probability categories:

- a) so remote that they can be ignored. The RISKS arising from these faults are considered acceptable;
- b) probable enough that they need to be considered, but improbable enough that they need only be considered one at a time (single fault). Faults of this category include all those identified as SINGLE FAULT CONDITIONS in this standard, and any other faults identified in applying ISO 14971 that meet the SINGLE FAULT CONDITION criteria;
- c) so likely, so unpredictable or undetectable that they are considered to be a NORMAL CONDITION and need to be considered individually and collectively.

The results of the RISK ANALYSIS shall be used to determine which failures shall be tested. The failure of any one component at a time that could result in a HAZARDOUS SITUATION, including those mentioned in 13.1, shall be simulated, physically or theoretically. The evaluation of whether a component is subject to failure simulation shall take into account the RISK associated with the failure of the component during the EXPECTED SERVICE LIFE of the ME EQUIPMENT. This evaluation shall be accomplished by applying the principles of RISK MANAGEMENT. The evaluation shall take into account issues such as reliability, TENSILE SAFETY FACTORS and rating of components. Additionally, during the simulation of SINGLE FAULT CONDITIONS, component failures that are highly probable or undetectable shall be simulated.

NOTE 3 See also Note 2 in 4.2.

This requirement and relevant tests shall not be applied to failures of DOUBLE or REINFORCED INSULATION or COMPONENTS WITH HIGH-INTEGRITY CHARACTERISTICS.

Compliance is determined by applying the specific requirements and tests associated with the SINGLE FAULT CONDITIONS identified in 13.2, and tests for the failures identified from evaluation of the results of the RISK ANALYSIS. Compliance is confirmed if the introduction of any of the SINGLE FAULT CONDITIONS described in 13.2, one at a time, does not lead directly to the HAZARDOUS SITUATIONS described in 13.1, or any other outcome that results in an unacceptable RISK.

4.8 Components of ME EQUIPMENT

All components, including wiring, the failure of which could result in a HAZARDOUS SITUATION shall be used in accordance with their specified ratings unless a specific exception is made in this standard or through the RISK MANAGEMENT PROCESS. The reliability of components that are used as MEANS OF PROTECTION shall be assessed for the conditions of use in the ME EQUIPMENT. They shall comply with one of the following (see also 4.5):

- a) the applicable safety requirements of a relevant IEC or ISO standard;

NOTE 1 For the components, it is not necessary to carry out identical or equivalent tests already performed to check compliance with the component standard.

- b) where there is no relevant IEC or ISO standard, the requirements of this standard have to be applied.

NOTE 2 If there are neither requirements in this standard nor in an IEC or ISO standard, any other applicable source (e.g. standards for other types of devices, national standards) could be used to demonstrate compliance with the RISK MANAGEMENT PROCESS.

See Figure 5 for a schematic flow chart for a) and b).

Compliance is checked by inspection and, where necessary, by test. The tests of this standard for motors (see 13.2.8 and 13.2.13.3) and transformers (see 15.5.3) are considered to be comprehensive and together with the evaluation of the motor or transformer insulation system according to Table 22 represent all testing required by this standard. ME SYSTEM components that provide isolation from non-ME EQUIPMENT are evaluated to Clause 16.

4.9 * Use of COMPONENTS WITH HIGH-INTEGRITY CHARACTERISTICS in ME EQUIPMENT

A COMPONENT WITH HIGH-INTEGRITY CHARACTERISTICS shall be used when a fault in a particular component can generate an unacceptable RISK. COMPONENTS WITH HIGH-INTEGRITY CHARACTERISTICS shall be selected and evaluated consistent with their conditions of use and reasonably foreseeable misuse during the EXPECTED SERVICE LIFE of the ME EQUIPMENT.

Compliance is checked by inspection of the RISK MANAGEMENT FILE and the selection criteria for the COMPONENTS WITH HIGH-INTEGRITY CHARACTERISTICS.

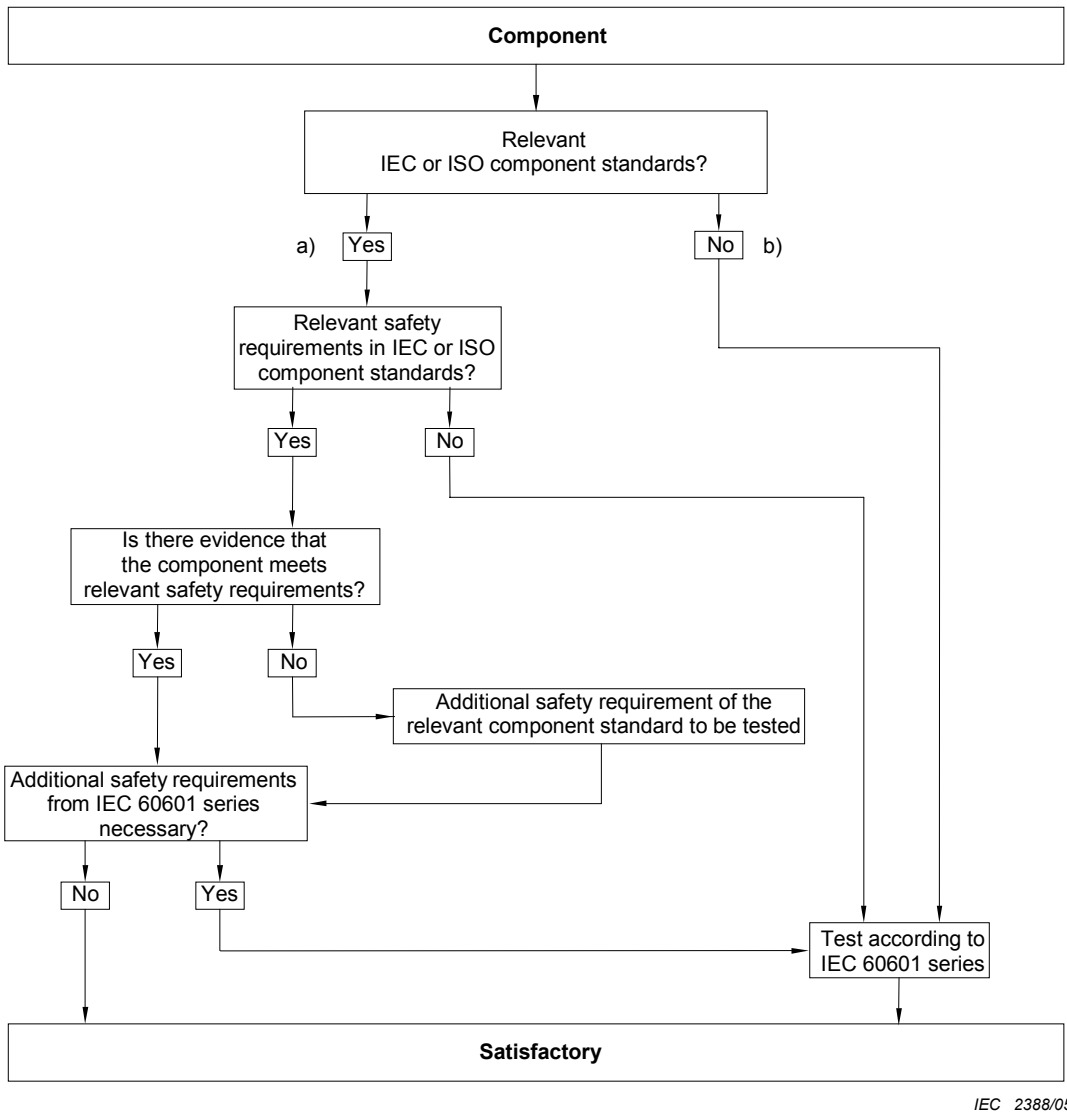


Figure 5 – Schematic flow chart for component qualification
(see 4.8)

4.10 * Power supply

4.10.1 Source of power for ME EQUIPMENT

ME EQUIPMENT shall be suitable for connection to a SUPPLY MAINS, be specified for connection to a separate power supply or be powered by an INTERNAL ELECTRICAL POWER SOURCE. Alternatively, a combination of these sources may be used.

Compliance is checked by inspection of the ACCOMPANYING DOCUMENTS.

4.10.2 SUPPLY MAINS for ME EQUIPMENT and ME SYSTEMS

For ME EQUIPMENT intended to be connected to SUPPLY MAINS, the following RATED voltages shall not be exceeded:

- 250 V for HAND-HELD ME EQUIPMENT;
- 250 V d.c. or single-phase a.c. or 500 V polyphase a.c. for ME EQUIPMENT and ME SYSTEMS with a RATED input ≤ 4 kVA; or
- 500 V for all other ME EQUIPMENT and ME SYSTEMS.

SUPPLY MAINS in this standard shall be assumed to have the following characteristics:

- overvoltage category II for mains transients unless a higher category is specified by the MANUFACTURER;
- no voltage in excess of 110 % or lower than 90 % of the NOMINAL voltage between any of the conductors of the system or between any of these conductors and earth (see 7.9.3.1);

NOTE 1 IEC 60601-1-2 contains requirements and tests for voltage dips, short interruptions and voltage variations on the SUPPLY MAINS. See also 1.3.

- voltages that are practically sinusoidal and forming a practically symmetrical supply system in case of polyphase supply;
- a frequency of ≤ 1 kHz;
- a frequency deviation of ≤ 1 Hz from the NOMINAL frequency up to 100 Hz and ≤ 1 % from the NOMINAL frequency from 100 Hz to 1 kHz;
- the protective measures as described in IEC 60364-4-41;

NOTE 2 If ME EQUIPMENT or an ME SYSTEM is intended to be operated from a SUPPLY MAINS with characteristics different from the SUPPLY MAINS described in this subclause, additional safety measures could be necessary.

- a d.c. voltage (as measured by a moving coil meter or equivalent method) having a peak-to-peak ripple not exceeding 10 % of the average value.

Where peak-to-peak ripple exceeds 10 % of the average value, the peak voltage has to be applied.

4.11 Power input

The steady-state measured input of the ME EQUIPMENT or ME SYSTEM at RATED voltage and at operating settings indicated in the instructions for use shall not exceed the marked rating by more than 10 % (see 7.2.7).

Compliance is checked by inspection and by the following tests.

- *The ME EQUIPMENT or ME SYSTEM is operated as specified in the instructions for use until the input has reached a stable value. Input is measured and compared with markings and the contents of the technical description.*
- *ME EQUIPMENT or an ME SYSTEM marked with one or more RATED voltage ranges is tested at both upper and lower limits of the range, unless each marking of RATED input is related to the mean value of the relevant voltage range, in which case the test is performed at a voltage equal to the mean value of that range.*
- *The steady state current is measured with a true r.m.s. reading instrument.*

Power input, if expressed in volt-amperes, is either measured with a volt-ampere meter or determined as the product of the steady state current (measured as described above) and the supply voltage.

A supplier certification may be used in place of the above measurement as the basis for steady state current or power input specification.

5 * General requirements for testing ME EQUIPMENT

5.1 * TYPE TESTS

The tests described in this standard are TYPE TESTS. The tests to be performed are determined taking into consideration the requirements of Clause 4, in particular 4.2.

A test need not be performed if analysis shows that the condition being tested has been adequately evaluated by other tests or methods.

The results of the RISK ANALYSIS are used to determine which combination(s) of simultaneous faults are to be tested.

NOTE The test results might necessitate a revision of the RISK ANALYSIS.

5.2 * Number of samples

TYPE TESTS are performed on a representative sample of the item being tested.

NOTE Multiple samples can be utilized simultaneously if the validity of the results is not significantly affected.

5.3 Ambient temperature, humidity, atmospheric pressure

- a) After the ME EQUIPMENT to be tested has been set up for NORMAL USE (according to 5.7), tests are performed within the range of environmental conditions indicated in the technical description (see 7.9.3.1).
- b) ME EQUIPMENT is shielded from other influences (for example, draughts), that might affect the validity of the tests.
- c) In cases where ambient temperatures cannot be maintained, the test conditions are to be consequently modified and results adjusted accordingly.

5.4 Other conditions

- a) Unless otherwise specified in this standard, ME EQUIPMENT is to be tested under the least favourable working conditions as specified in the instructions for use that are identified during RISK ANALYSIS.
- b) ME EQUIPMENT having operating values that can be adjusted or controlled by anyone other than SERVICE PERSONNEL shall be adjusted as part of the tests to values least favourable for the relevant test, but in accordance with the instructions for use.
- c) If the test results are influenced by the inlet pressure and flow or chemical composition of a cooling liquid, the test is performed within the limits for these characteristics as prescribed in the technical description.
- d) Where cooling water is required, potable water is used.

5.5 Supply voltages, type of current, nature of supply, frequency

- a) Where test results are influenced by deviations of the supply voltage from its RATED value, the effect of such deviations is taken into account.

The supply voltage during tests is according to 4.10 or according to that marked on the ME EQUIPMENT (see 7.2.6), whichever is least favourable.

- b) ME EQUIPMENT having a MAINS PART intended for connection to a.c. SUPPLY MAINS is only tested with a.c. at RATED frequency (if marked) ± 1 Hz up to and including 100 Hz and ± 1 % above 100 Hz. ME EQUIPMENT marked with a RATED frequency range is tested at the least favourable frequency within that range.
- c) ME EQUIPMENT designed for more than one RATED voltage, or for both a.c. and d.c., is tested in conditions (described in 5.4) related to the least favourable voltage and nature of supply, for example, number of phases (except for single-phase supply) and type of current. It could be necessary to perform some tests more than once in order to establish which supply configuration is least favourable.
- d) ME EQUIPMENT having a MAINS PART intended for connection to d.c. SUPPLY MAINS is only tested with d.c. When performing the tests, the possible influence of polarity on the operation of the ME EQUIPMENT is taken into consideration, according to the instructions for use. See also 8.2.2.
- e) ME EQUIPMENT for which alternative ACCESSORIES or components specified in the ACCOMPANYING DOCUMENTS (see 7.9.2.14 and 7.9.3.2) are available is tested with those ACCESSORIES or components that give the least favourable conditions.
- f) If the instructions for use specify that ME EQUIPMENT is intended to receive its power from a separate power supply, it is connected to such a power supply. See also 7.2.5 and 8.2.1.

NOTE What was referred to in the first and second editions of this standard as a “specified power supply” is now considered either as another part of the same ME EQUIPMENT or as another equipment in an ME SYSTEM.

5.6 Repairs and modifications

In the event of the necessity for repairs or modifications after a failure or a probability of future failure during the sequence of tests, the testing laboratory and the supplier of the ME EQUIPMENT for the test can agree, either upon the presentation of a new sample on which all tests influencing the result are performed again or, preferably, upon making all the necessary repairs or modifications after which only relevant tests are repeated.

5.7 * Humidity preconditioning treatment

Prior to the tests of 8.7.4 and 8.8.3, all ME EQUIPMENT or its parts shall be subjected to a humidity preconditioning treatment.

ME EQUIPMENT or its parts shall be set up complete (or where necessary partially). Covers used during transport and storage are detached.

This treatment is applied only to those ME EQUIPMENT parts which are influenced by the climatic conditions that are simulated by the test.

Parts that can be detached without the use of a TOOL are detached but are treated simultaneously with the major part.

ACCESS COVERS that can be opened or detached without the use of a TOOL are opened and detached.

The humidity preconditioning treatment is performed in a humidity cabinet containing air with a relative humidity of $93 \% \pm 3 \%$. The temperature of the air in the cabinet, at all places where ME EQUIPMENT can be located, is maintained within $2 \text{ }^\circ\text{C}$ of any convenient value T in the range of $+ 20 \text{ }^\circ\text{C}$ to $+ 32 \text{ }^\circ\text{C}$. Before being placed in the humidity cabinet, ME EQUIPMENT shall be brought to a temperature between T and $T + 4 \text{ }^\circ\text{C}$, and kept at this temperature for at least 4 h before the humidity treatment.

ME EQUIPMENT and its parts is kept in the humidity cabinet for 48 h.

Where the RISK MANAGEMENT PROCESS suggests that the ME EQUIPMENT can be exposed to high humidity for extended periods (such as ME EQUIPMENT intended for out-door use), the period is extended appropriately.

After the treatment, the ME EQUIPMENT is reassembled, if necessary.

5.8 Sequence of tests

Unless stated otherwise, the tests in this standard are sequenced in such a way that the results of any test do not influence the results of a subsequent test.

NOTE It is recommended that all tests be performed in the sequence given in Annex B.

5.9 * Determination of APPLIED PARTS and ACCESSIBLE PARTS

5.9.1 APPLIED PARTS

APPLIED PARTS are identified by inspection and by reference to the ACCOMPANYING DOCUMENTS See also 4.6.

5.9.2 ACCESSIBLE PARTS

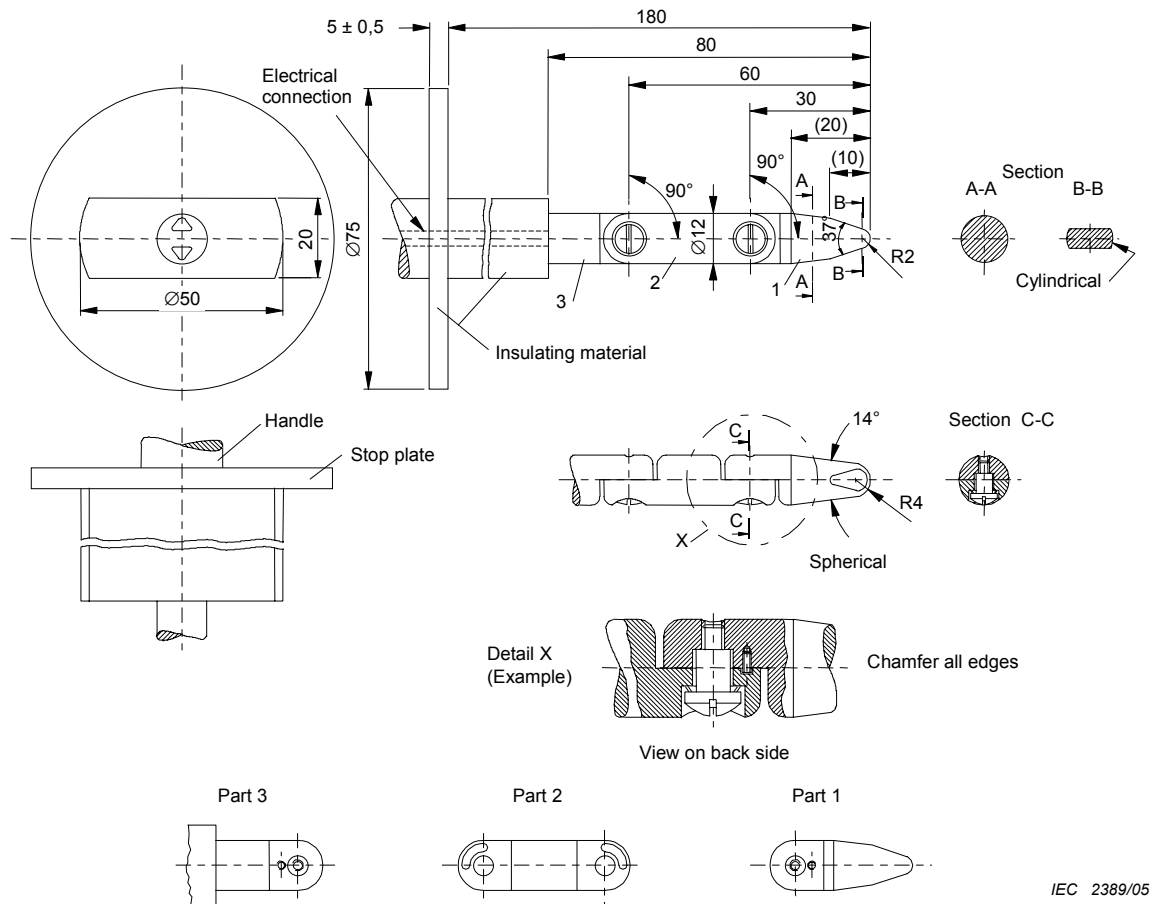
5.9.2.1 * Test finger

Parts of ME EQUIPMENT that are to be regarded as ACCESSIBLE PARTS are identified by inspection and where necessary by test. In case of doubt, accessibility is determined by a test with the standard test finger shown in Figure 6, applied in a bent or straight position:

- for all positions of ME EQUIPMENT when operated as in NORMAL USE,
- even after opening of ACCESS COVERS and removal of parts, including lamps, fuses and fuseholders, without the use of a TOOL or according to the instructions for use.

The standard test finger is applied without appreciable force in every possible position, except that ME EQUIPMENT intended to be used on the floor and having a mass in any operational condition exceeding 45 kg is not tilted. ME EQUIPMENT which, according to the technical description, is intended for mounting into a cabinet, is tested in its final mounting position.

Openings preventing the entry of the standard test finger of Figure 6 are mechanically tested by means of a straight unjointed test finger of the same dimensions, which is applied with a force of 30 N. If this finger enters, the test with the standard test finger of Figure 6 is repeated, the finger being pushed through the opening if necessary.



IEC 2389/05

Linear dimensions in millimetres

Tolerances on dimensions without specific tolerances:

- 14° and 37° angles: $\pm 15'$
- on radii: $\pm 0,1$ mm
- on linear dimensions:

≤ 15 mm:	0	mm
	0,1	
> 15 mm ≤ 25 mm:	$\pm 0,1$	mm
> 25 mm:	$\pm 0,3$	mm

Material of finger: heat-treated steel, for example.

Both joints of this finger can be bent through an angle of $90^{\pm 10}_0$ but in one and the same direction only.

NOTE 1 Using the pin and groove solution is only one of the possible approaches in order to limit the bending angle to 90° . For this reason, dimensions and tolerances of these details are not given in the drawing. The actual design must insure a 90° bending angle with a 0° to $+10^\circ$ tolerance.

NOTE 2 Dimensions in parentheses are for information only.

NOTE 3 The test finger is taken from IEC 60950-1, Figure 2A. That test finger is based on IEC 61032¹⁶⁾, Figure 2, test probe B. In some cases, the tolerances are different.

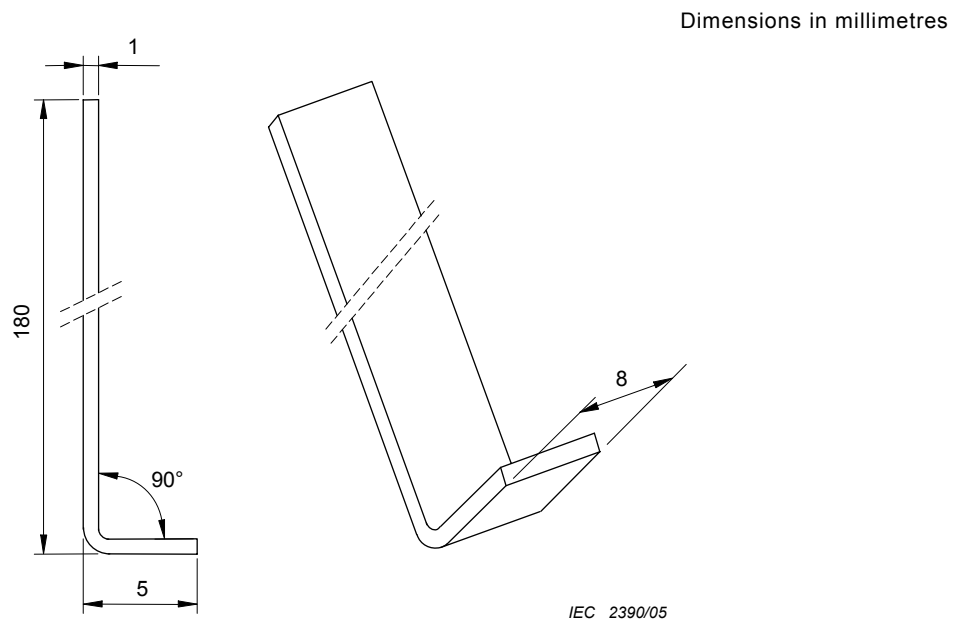
Figure 6 – Standard test finger
(see 5.9.2.1)

¹⁶⁾ IEC 61032:1997, *Protection of persons and equipment by enclosures - Probes for verification*

5.9.2.2 Test hook

ME EQUIPMENT openings are mechanically tested by means of the test hook (see Figure 7), if the hook can be inserted.

The test hook is inserted in all openings in question and is subsequently pulled with a force of 20 N for 10 s and in a direction substantially perpendicular to the surface in which the relevant opening is present. Any additional parts that have become accessible are identified by using the standard test finger of Figure 7 and by inspection.



Material: steel

Figure 7 – Test hook
(see 5.9.2.2)

5.9.2.3 Actuating mechanisms

Conductive parts of actuating mechanisms of electrical controls that are accessible after the removal of handles, knobs, levers and the like are regarded as ACCESSIBLE PARTS. Conductive parts of actuating mechanisms are not considered ACCESSIBLE PARTS if removal of handles, knobs, etc. requires the use of a TOOL and inspection of the RISK MANAGEMENT FILE demonstrates that the relevant part is unlikely to become detached unintentionally during the EXPECTED SERVICE LIFE of the ME EQUIPMENT. See also 15.4.6.1.

6 * Classification of ME EQUIPMENT and ME SYSTEMS

6.1 General

For purposes of this standard, ME EQUIPMENT, or parts thereof, including APPLIED PARTS, shall be classified as follows.

6.2 * Protection against electric shock

ME EQUIPMENT energized from an external electrical power source shall be classified as CLASS I ME EQUIPMENT or CLASS II ME EQUIPMENT (see 7.2.6). Other ME EQUIPMENT shall be classified as INTERNALLY POWERED ME EQUIPMENT.

INTERNALLY POWERED ME EQUIPMENT having a means of connection to a SUPPLY MAINS shall comply with the requirements for CLASS I ME EQUIPMENT or CLASS II ME EQUIPMENT while so connected, and with the requirements for INTERNALLY POWERED ME EQUIPMENT while not so connected.

APPLIED PARTS shall be classified as TYPE B APPLIED PARTS, TYPE BF APPLIED PARTS or TYPE CF APPLIED PARTS (see 7.2.10 and 8.3). APPLIED PARTS may be classified as DEFIBRILLATION-PROOF APPLIED PARTS (see 8.5.5).

6.3 * Protection against harmful ingress of water or particulate matter

ENCLOSURES shall be classified according to the degree of protection against harmful ingress of water and particulate matter as detailed in IEC 60529 (see 7.2.9 and 11.6.5).

NOTE 1 This classification is IPN₁N₂, where:

- N₁ is an integer indicating degree of protection against particulate matter or the letter "X".
- N₂ is an integer indicating the degree of protection against ingress of water or the letter "X".

NOTE 2 See also Table D.3.

6.4 Method(s) of sterilization

ME EQUIPMENT or its parts intended to be sterilized shall be classified according to the method(s) of sterilization as indicated in the instructions for use (see 7.9.2.12 and 11.6.7).

EXAMPLE 1 By ethylene oxide gas

EXAMPLE 2 By irradiation such as gamma ray

EXAMPLE 3 By moist heat such as by autoclave

EXAMPLE 4 By other methods validated and described by the MANUFACTURER

6.5 Suitability for use in an OXYGEN RICH ENVIRONMENT

ME EQUIPMENT and ME SYSTEMS intended for use in an OXYGEN RICH ENVIRONMENT shall be classified for such use (see 11.2.2).

6.6 * Mode of operation

ME EQUIPMENT shall be classified for either CONTINUOUS OPERATION or non-CONTINUOUS OPERATION (see 7.2.11).

7 ME EQUIPMENT identification, marking and documents

NOTE Annex C contains a guide to assist the reader in locating the marking and labelling requirements for ME EQUIPMENT and ME SYSTEMS contained in other clauses of this standard.

7.1 General

7.1.1 * USABILITY of the identification, marking and documents

The MANUFACTURER shall address in a USABILITY ENGINEERING PROCESS the RISK of poor USABILITY associated with the design of the ME EQUIPMENT'S identification, marking and documents. See IEC 60601-1-6 and also see 1.3 and 12.2.

Compliance is checked by inspection of the results of the USABILITY ENGINEERING PROCESS.

7.1.2 * Legibility of markings

The markings required by 7.2, 7.3, 7.4, 7.5 and 7.6 shall be CLEARLY LEGIBLE under the following conditions:

- for warning statements, instructive statements, safety signs and drawings on the outside of ME EQUIPMENT: from the intended position of the person performing the related function;
- for FIXED ME EQUIPMENT: when the ME EQUIPMENT is mounted in its position of NORMAL USE;
- for TRANSPORTABLE ME EQUIPMENT and for STATIONARY ME EQUIPMENT that is not FIXED ME EQUIPMENT: in NORMAL USE or after dislodging the ME EQUIPMENT from a wall against which it has been positioned, or after turning the ME EQUIPMENT from its position of NORMAL USE and, in the case of dismountable rack units, after their removal from the rack;
- for markings on the inside of ME EQUIPMENT or ME EQUIPMENT parts: when viewed from the intended position of the person performing the related function.

Compliance for clear legibility is checked by the following test:

The ME EQUIPMENT or its part is positioned so that the viewpoint is the intended position of the OPERATOR; or the viewpoint is at any point within the base of a cone subtended by an angle of 30° to the axis normal to the centre of the plane of the marking and at a distance of 1 m. The ambient illuminance is the least favourable level in the range of 100 lx to 1 500 lx. The observer has a visual acuity of 0 on the log Minimum Angle of Resolution (log MAR) scale or 6/6 (20/20), corrected if necessary.

The observer correctly reads the marking from the viewpoint.

7.1.3 * Durability of markings

The markings required by 7.2, 7.3, 7.4, 7.5 and 7.6 shall be removable only with a TOOL or by appreciable force and shall be sufficiently durable to remain CLEARLY LEGIBLE during the EXPECTED SERVICE LIFE of the ME EQUIPMENT. In considering the durability of the markings, the effect of NORMAL USE shall be taken into account.

Compliance is checked by inspection and the following tests:

- a) *After all the tests of this standard have been performed (see the recommended sequence of tests in Annex B):*
 - *markings are tested to the requirements of 7.1.2; and*
 - *adhesive labels are not to have worked loose or become curled at the edges.*
- b) *For markings required by 7.2, 7.4, 7.5 and 7.6, an additional test for durability is to be performed. Markings are rubbed by hand, without undue pressure, first for 15 s with a cloth rag soaked with distilled water, then for 15 s with a cloth rag soaked with methylated spirit and then for 15 s with a cloth rag soaked with isopropyl alcohol.*

7.2 Marking on the outside of ME EQUIPMENT or ME EQUIPMENT parts (see also Table C.1)

7.2.1 Minimum requirements for marking on ME EQUIPMENT and on interchangeable parts

If the size of the ME EQUIPMENT, an ME EQUIPMENT part or an ACCESSORY, or the nature of its ENCLOSURE, does not allow affixation of all markings specified in 7.2.2 to 7.2.20 (inclusive), then at least the markings as indicated in 7.2.2, 7.2.5, 7.2.6 (not for PERMANENTLY INSTALLED ME EQUIPMENT), 7.2.10 and 7.2.13 (if applicable) shall be affixed and the remaining markings shall be recorded in full in the ACCOMPANYING DOCUMENTS. Where no marking of the ME EQUIPMENT is practicable, these markings may be affixed to the individual packaging.

Any material, component, ACCESSORY or ME EQUIPMENT that is intended for a single use or its packaging shall be marked “Do Not Reuse” or with symbol ISO 7000-1051 (DB:2004-01) (see Table D.1, symbol 28).

7.2.2 * Identification

ME EQUIPMENT and its detachable components shall be marked with the name or trademark of the MANUFACTURER, and with a MODEL OR TYPE REFERENCE unless misidentification does not present an unacceptable RISK.

Software that forms part of a PEMS shall be identified with a unique identifier, such as revision level or date of release/issue. The identification shall be available to designated persons, e.g. SERVICE PERSONNEL. The identification does not need to be on the outside of the ME EQUIPMENT.

7.2.3 * Consult ACCOMPANYING DOCUMENTS

When appropriate, symbol ISO 7000-1641 (DB:2004-01) (see Table D.1, symbol 11) may be used to advise the OPERATOR to consult the ACCOMPANYING DOCUMENTS. When consulting the ACCOMPANYING DOCUMENTS is a mandatory action, safety sign IEC 60878 Safety 01 (see Table D.2, safety sign 10) shall be used instead of symbol ISO 7000-1641.

7.2.4 * ACCESSORIES

ACCESSORIES shall be marked with the name or trade-mark of their MANUFACTURER or supplier, and with a MODEL OR TYPE REFERENCE. Where no marking of the ACCESSORIES is practicable, these markings may be affixed to the individual packaging.

7.2.5 ME EQUIPMENT intended to receive power from other equipment

If ME EQUIPMENT is intended to receive its power from other equipment including ME EQUIPMENT in an ME SYSTEM and connection to another source could result in an unacceptable RISK, the MODEL OR TYPE REFERENCE of the specified other equipment shall be marked adjacent to the relevant connection point. See also 7.9.2.3, 8.2.1 and 16.3.

7.2.6 Connection to the SUPPLY MAINS

ME EQUIPMENT shall be marked with the following information:

- the RATED supply voltage(s) or RATED voltage range(s) to which it may be connected. A RATED supply voltage range shall have a hyphen (-) between the minimum and maximum voltages. Where multiple RATED supply voltages or multiple RATED supply voltage ranges are given, they shall be separated by a solidus (/);

EXAMPLE 1 RATED supply voltage range: 100-240 V. This means that the ME EQUIPMENT is designed to be connected to a SUPPLY MAINS having a NOMINAL voltage between 100 V and 240 V.

EXAMPLE 2 Multiple RATED supply voltage: 120/220/240 V. This means that the ME EQUIPMENT is designed to be switched to allow connection to a SUPPLY MAINS having a NOMINAL voltage of 120 V or 220 V or 240 V.

NOTE 1 Marking of RATED supply voltage is taken from IEC 61293¹⁷⁾.

- nature of supply, for example, number of phases (except for single-phase supply) and type of current. Symbols IEC 60417-5032, 5032-1, 5032-2, 5031, and 5033 (all DB:2002-10) may be used for this purpose (see Table D.1, symbols 1, 2, 3, 4 and 5);

NOTE 2 For alternating current, the RATED frequency in hertz is sufficient to identify the type of current.

- the RATED supply frequency or RATED frequency range in hertz;

EXAMPLE 3 RATED supply frequency range: 50-60 Hz. This means that the ME EQUIPMENT is designed to be connected to a SUPPLY MAINS having a NOMINAL frequency between 50 Hz and 60Hz.

- For CLASS II ME EQUIPMENT, symbol IEC 60417-5172 (DB:2003-02) (see Table D.1, symbol 9).

Except for PERMANENTLY INSTALLED ME EQUIPMENT, these markings shall appear on the outside of the part that contains the SUPPLY MAINS connection and preferably adjacent to the connection point. For PERMANENTLY INSTALLED ME EQUIPMENT, the NOMINAL supply voltage or voltage range to which it can be connected may be marked on the inside or the outside of the ME EQUIPMENT, preferably adjacent to the supply connection terminals.

7.2.7 Electrical input power from the SUPPLY MAINS

The RATED input shall be given in amperes or volt-amperes or where the power factor exceeds 0,9, in watts.

In the case of ME EQUIPMENT for one or several RATED voltage ranges, the RATED input shall always be given for the upper and lower limits of the range or ranges, if the range(s) is/are greater than $\pm 10\%$ of the mean value of the given range.

In the case of range limits which do not differ by more than 10 % from the mean value, marking of the input at the mean value of the range is sufficient.

If the rating of ME EQUIPMENT includes both long-time and momentary current or volt-ampere ratings, the marking shall include both long-time and the most relevant momentary volt-ampere ratings, each plainly identified and indicated in the ACCOMPANYING DOCUMENTS.

¹⁷⁾ IEC 61293:1994, *Marking of electrical equipment with ratings related to electrical supply - Safety requirements*

The marked input of ME EQUIPMENT provided with means for the connection of supply conductors of other electrical equipment shall include the RATED (and marked) output of such means.

7.2.8 Output connectors

7.2.8.1 Mains power output

For MULTIPLE SOCKET-OUTLETS that are integral with ME EQUIPMENT, see 16.9.2.1 b).

7.2.8.2 Other power sources

With the exception of MULTIPLE SOCKET-OUTLETS or connectors intended only for specified equipment, equipment parts or ACCESSORIES, output connectors of ME EQUIPMENT intended to deliver power shall be marked with the following information:

- RATED output voltage;
- RATED current or power (when applicable);
- output frequency (when applicable).

7.2.9 IP classification

ME EQUIPMENT or its parts shall be marked with a symbol, using the letters IP followed by the designations described in IEC 60529, according to the classification in 6.3 (see Table D.3, Code 2).

ME EQUIPMENT classified IPX0 or IPOX need not be marked as such.

7.2.10 * APPLIED PARTS

This requirement does not apply to parts that have been identified according to 4.6.

The degree of protection against electric shock as classified in 6.2 for all APPLIED PARTS shall be marked with the relevant symbol, i.e., TYPE B APPLIED PARTS with symbol IEC 60417-5840, TYPE BF APPLIED PARTS with symbol IEC 60417-5333 or TYPE CF APPLIED PARTS with symbol IEC 60417-5335 (all DB:2002-10) (see Table D.1, symbols 19, 20 and 21).

For DEFIBRILLATION-PROOF APPLIED PARTS, symbols IEC 60417-5841, IEC 60417-5334, or IEC 60417-5336 shall be used as applicable (all DB:2002-10) (see Table D.1, symbols 25, 26 and 27).

The relevant symbol shall be marked adjacent to or on the connector for the APPLIED PART, unless either:

- there is no such connector, in which case the marking shall be on the APPLIED PART; or
- the connector is used for more than one APPLIED PART and the different APPLIED PARTS have different classifications, in which case each APPLIED PART shall be marked with the relevant symbol.

For clear differentiation with symbol IEC 60417-5333, symbol IEC 60417-5840 shall not be applied in such a way as to give the impression of being inscribed within a square (see Table D.1, symbols 19 and 20).

If the protection against the effect of the discharge of a cardiac defibrillator is partly in the PATIENT cable, safety sign ISO 7010-W001, shall be placed near the relevant outlet (see Table D.2, safety sign 2). The instructions for use shall explain that protection of the ME EQUIPMENT against the effects of the discharge of a cardiac defibrillator is dependent upon the use of appropriate cables.

7.2.11 Mode of operation

If no marking is provided, ME EQUIPMENT is assumed to be suitable for CONTINUOUS OPERATION. For ME EQUIPMENT intended for non-CONTINUOUS OPERATION, the DUTY CYCLE shall be indicated using an appropriate marking giving the maximum activation (on) time and the minimum deactivation (off) time.

7.2.12 * Fuses

Where the fuse-holder is an ACCESSIBLE PART, the type and full rating of the fuse (voltage, current, operating speed and breaking capacity) shall be marked adjacent to the fuse-holder.

7.2.13 Physiological effects (safety signs and warning statements)

ME EQUIPMENT producing physiological effects that are not obvious to the OPERATOR and can cause HARM to the PATIENT or OPERATOR shall bear a suitable safety sign (see 7.5). The safety sign shall appear in a prominent location so that it will be CLEARLY LEGIBLE in NORMAL USE after the ME EQUIPMENT has been PROPERLY INSTALLED.

The instructions for use shall describe the nature of the HAZARD and the precautions for avoiding it or minimising the associated RISK.

7.2.14 HIGH VOLTAGE TERMINAL DEVICES

HIGH VOLTAGE TERMINAL DEVICES on the outside of ME EQUIPMENT that are accessible without the use of a TOOL shall be marked with symbol IEC 60417-5036 (DB:2002-10) (see Table D.1, symbol 24).

7.2.15 Cooling conditions

Requirements for cooling provisions for ME EQUIPMENT (for example, supply of water or air) shall be marked.

7.2.16 Mechanical stability

For requirements on ME EQUIPMENT with a limited stability, see 9.4.

7.2.17 Protective packaging

If special handling measures have to be taken during transport or storage, the packaging shall be marked accordingly (see ISO 780).

The permissible environmental conditions for transport and storage shall be marked on the outside of the packaging (see 7.9.3.1 and ISO 15223).

Where premature unpacking of ME EQUIPMENT or its parts could result in an unacceptable RISK, the packaging shall be marked with a suitable safety sign (see 7.5).

EXAMPLE 1 Humidity sensitive ME EQUIPMENT.

EXAMPLE 2 ME EQUIPMENT containing hazardous substances and materials.

The packaging of ME EQUIPMENT or ACCESSORIES supplied sterile shall be marked as sterile (see ISO 15223).

7.2.18 External pressure source

The RATED maximum supply pressure from an external source shall be marked on the ME EQUIPMENT adjacent to each input connector.

7.2.19 FUNCTIONAL EARTH TERMINALS

A FUNCTIONAL EARTH TERMINAL shall be marked with symbol IEC 60417-5017 (DB:2002-10) (see Table D.1, symbol 7).

7.2.20 Removable protective means

If ME EQUIPMENT has alternative applications that require the removal of a protective means to use a particular function, the protective means shall be marked to indicate the necessity for replacement when the relevant function is no longer needed. No marking is required when an interlock is provided.

Compliance with the requirements of 7.2 is checked by inspection and by application of the tests and criteria in 7.1.2 and 7.1.3.

7.3 Marking on the inside of ME EQUIPMENT or ME EQUIPMENT parts (see also Table C.2)

7.3.1 Heating elements or lampholders

The maximum power loading of heating elements or lampholders designed for use with heating lamps shall be marked near the heater or in the heater itself.

For heating elements or lampholders designed for use with heating lamps that can be changed only by SERVICE PERSONNEL with the use of a TOOL, an identifying marking referring to information stated in the ACCOMPANYING DOCUMENTS is sufficient.

7.3.2 * HIGH VOLTAGE parts

The presence of HIGH VOLTAGE parts shall be marked with symbol IEC 60417-5036 (DB:2002-10) (see Table D.1, symbol 24) or with safety sign 3 (see Table D.2, safety sign 3). See also 7.5.

7.3.3 Batteries

The type of battery and the mode of insertion (if applicable) shall be marked (see 15.4.3.2).

For batteries intended to be changed only by SERVICE PERSONNEL with the use of a TOOL, an identifying marking referring to information stated in the ACCOMPANYING DOCUMENTS is sufficient.

Where lithium batteries or fuel cells are incorporated and where incorrect replacement would result in an unacceptable RISK, a warning indicating that replacement by inadequately trained personnel could result in a HAZARD (such as excessive temperatures, fire or explosion) shall be given in addition to the identifying marking referring to information stated in the ACCOMPANYING DOCUMENTS.

7.3.4 * Fuses, THERMAL CUT-OUTS and OVER-CURRENT RELEASES

Fuses and replaceable THERMAL CUT-OUTS and OVER-CURRENT RELEASES that are accessible only by the use of a TOOL shall be identified either by type and full rating adjacent to the component (voltage, current, operating speed and breaking capacity), or by a reference to information in the ACCOMPANYING DOCUMENTS.

7.3.5 PROTECTIVE EARTH TERMINALS

PROTECTIVE EARTH TERMINALS shall be marked with symbol IEC 60417-5019 (DB:2002-10) (see Table D.1, symbol 6) unless the PROTECTIVE EARTH TERMINAL is in an APPLIANCE INLET according to IEC 60320-1.

Markings that are on or adjacent to PROTECTIVE EARTH TERMINALS shall not be affixed to parts that have to be removed to make the connection. They shall remain visible after the connection has been made.

7.3.6 FUNCTIONAL EARTH TERMINALS

FUNCTIONAL EARTH TERMINALS shall be marked with symbol IEC 60417-5017 (DB:2002-10) (see Table D.1, symbol 7).

7.3.7 Supply terminals

Terminals for supply conductors shall be marked adjacent to the terminals unless it can be demonstrated that no HAZARDOUS SITUATION can result if connections are interchanged.

If ME EQUIPMENT is so small that the terminal markings cannot be affixed, they shall be included in the ACCOMPANYING DOCUMENTS.

Terminals that are provided exclusively for the connection of the neutral supply conductor in PERMANENTLY INSTALLED ME EQUIPMENT shall be marked with the appropriate code from IEC 60445 (see Table D.3, Code 1).

If marking for connection to a three-phase supply is necessary, it shall be according to IEC 60445.

Markings that are on or adjacent to electrical connection points shall not be affixed to parts that have to be removed to make the connection. They shall remain visible after the connection has been made.

7.3.8 Temperature of supply terminals

If any point within a terminal box or wiring compartment intended for connection of the power supply conductors for PERMANENTLY INSTALLED ME EQUIPMENT (including such conductors themselves), attains a temperature of more than 75 °C during NORMAL USE and NORMAL CONDITION at the maximum ambient operating temperature as indicated in the technical description (see 7.9.3.1), the ME EQUIPMENT shall be marked with the following or an equivalent statement:

“For supply connections, use wiring materials suitable for at least X °C.”

where “X” is greater than the maximum temperature measured in the terminal box or wiring compartment in NORMAL USE and NORMAL CONDITION. This statement shall be located at or near the point where the supply connections are to be made. This statement shall not be affixed to parts that have to be removed to make the connection. It shall be CLEARLY LEGIBLE after the connections have been made.

Compliance with the requirements of 7.3 is checked by inspection and by application of the tests and criteria in 7.1.2 and 7.1.3.

7.4 Marking of controls and instruments (see also Table C.3)

7.4.1 Power switches

Switches used to control power to ME EQUIPMENT or its parts, including mains switches, shall have their “on” and “off” positions:

- marked with symbols IEC 60417-5007 (DB:2002-10) and IEC 60417-5008 (DB:2002-10) (see Table D.1, symbols 12 and 13); or
- indicated by an adjacent indicator light; or
- indicated by other unambiguous means.

If a push button with bistable positions is used:

- it shall be marked with symbol IEC 60417-5010 (DB:2002-10) (see Table D.1, symbol 14); and
- the status shall be indicated by an adjacent indicator light; or
- the status shall be indicated by other unambiguous means.

If a push button with momentary on position is used:

- it shall be marked with symbol 60417-5011 (DB:2002-10) (see Table D.1, symbol 15); or
- the status shall be indicated by an adjacent indicator light; or
- the status shall be indicated by other unambiguous means.

7.4.2 Control devices

Different positions of control devices and different positions of switches on ME EQUIPMENT shall be indicated by figures, letters or other visual means, e.g. by use of symbols IEC 60417-5264 (DB:2002-10) and IEC 60417-5265 (DB:2002-10) (see Table D.1, symbols 16 and 17).

If in NORMAL USE, the change of setting of a control could result in an unacceptable RISK to the PATIENT, such controls shall be provided with either:

- an associated indicating device, e.g. instruments or scale, or
- an indication of the direction in which the magnitude of the function changes. See also 15.4.6.2.

7.4.3 Units of measure

Numeric indications of parameters on ME EQUIPMENT shall be expressed in SI units according to ISO 31 except the base quantities listed in Table 1 may be expressed in the indicated units, which are outside the SI units system.

For application of SI units, their multiples and certain other units, ISO 1000 applies.

Compliance with the requirements of 7.4 is checked by inspection and by application of the tests and criteria in 7.1.2 and 7.1.3.

Table 1 – Units outside the SI units system that may be used on ME EQUIPMENT

Base quantity	Unit	
	Name	Symbol
Plane angle	revolution	r
	gon	gon or grade
	degree	°
	minute of angle	'
	second of angle	"
Time	minute	min
	hour	h
	day	d
Energy	electron volt	eV
Volume	litre	l ^a
Pressure of respiratory gases, blood, and other body fluids	millimetres of mercury	mmHg
	centimetres of water	cmH ₂ O
Pressure of gases	bar	bar
	millibar	mbar
^a For consistency, in international standards only the symbol "l" is used for litre, although the symbol "L" is also given in ISO 31.		

7.5 Safety signs

For the purpose of this clause, markings used to convey a warning, prohibition or mandatory action that mitigates a RISK that is not obvious to the OPERATOR shall be a safety sign selected from ISO 7010.

NOTE 1 In this context, warning is used to mean, "There is certain danger"; prohibition is used to mean, "You must not..."; and mandatory action is used to mean, "You must...".

Where a safety sign is not available to indicate a particular desired meaning, the meaning may be obtained by one of the following methods.

- a) Constructing a safety sign according to ISO 3864-1:2002, Clause 7 (for the corresponding templates, see Table D.2, safety signs 1, 4 and 8).
- b) Using the general warning sign ISO 7010:2003-W001 (see Table D.2, safety sign 2) placed together with a supplementary symbol or text. The text associated with the general warning sign shall be an affirmative statement (i.e., a safety notice) describing the principal RISK(S) foreseen (e.g. "Causes burns", "Risk of explosion", etc.).
- c) Using the general prohibition sign ISO 7010:2003-P001 (see Table D.2, safety sign 4) placed together with a supplementary symbol or text. The text associated with the general prohibition sign shall be a statement (i.e. a safety notice) describing what is prohibited (e.g. "Do not open", "Do not drop", etc.).
- d) Using the general mandatory action sign ISO 7010:2003-M001 (see Table D.2, safety sign 9) placed together with a supplementary symbol or text. The text associated with the general mandatory action sign shall be a command (i.e. a safety notice) describing required action (e.g. "Wear protective gloves", "Scrub before entering", etc.).

If there is insufficient space to place the affirmative statement together with the safety sign on the ME EQUIPMENT, it may be placed in the instructions for use.

NOTE 2 The colours for safety signs are specified in ISO 3864-1 and it is important to use the specified colour.

NOTE 3 A safety notice should include the appropriate precautions or include instructions on how to reduce the RISK (e.g. "Do not use for . . .", "Keep away from . . .", etc.).

Safety signs, including any supplementary symbol or text, shall be explained in the instructions for use (see 7.9.2).

Compliance is checked by inspection.

7.6 Symbols

7.6.1 Explanation of symbols

The meanings of the symbols used for marking shall be explained in the instructions for use.

7.6.2 Symbols from Annex D

Symbols required by this standard shall conform to the requirements in the referenced IEC or ISO publication. Annex D provides the symbol graphic and description for these symbols as a quick reference.

7.6.3 Symbols for controls and performance

Symbols used for controls and performance shall conform to the requirements of the IEC or ISO publication where the symbol is defined, when applicable. See also 7.2.13.

NOTE IEC 60878 provides a survey of titles, descriptions and graphical representations of symbols for electrical equipment used in medical practice.

Compliance with the requirements of 7.6 is checked by inspection.

7.7 Colours of the insulation of conductors

7.7.1 PROTECTIVE EARTH CONDUCTOR

A PROTECTIVE EARTH CONDUCTOR shall be identified throughout its length by green and yellow coloured insulation.

7.7.2 PROTECTIVE EARTH CONNECTIONS

Any insulation on conductors inside ME EQUIPMENT that form PROTECTIVE EARTH CONNECTIONS shall be identified by the colours green and yellow at least at the termination of the conductors.

EXAMPLE Conductors of a multi-conductor cord that are connected in parallel, where the maximum allowed resistance of the PROTECTIVE EARTH CONNECTIONS would be exceeded if only the green and yellow coloured conductor were used.

7.7.3 Green and yellow insulation

Identification by green and yellow insulation shall only be used for:

- PROTECTIVE EARTH CONDUCTORS (see 8.6.2);
- conductors as specified in 7.7.2;
- POTENTIAL EQUALIZATION CONDUCTORS (see 8.6.7);
- FUNCTIONAL EARTH CONDUCTORS (see 8.6.9).

7.7.4 Neutral conductor

Conductors in POWER SUPPLY CORDS intended to be connected to the neutral conductor of the supply system shall be coloured "light blue" as specified in IEC 60227-1 or in IEC 60245-1.

7.7.5 POWER SUPPLY CORD conductors

Colours of conductors in POWER SUPPLY CORDS shall be in accordance with IEC 60227-1 or with IEC 60245-1.

Compliance with the requirements of 7.7 is checked by inspection.

7.8 * Indicator lights and controls

7.8.1 Colours of indicator lights

The colours of indicator lights and their meanings shall comply with Table 2.

NOTE IEC 60601-1-8 contains specific requirement for the colour, flashing frequency and DUTY CYCLE of alarm indicator lights.

Dot-matrix and other alphanumeric displays are not considered to be indicator lights.

**Table 2 – Colours of indicator lights and their meaning
for ME EQUIPMENT**

Colour	Meaning
Red	Warning – immediate response by the OPERATOR is required
Yellow	Caution – prompt response by the OPERATOR is required
Green	Ready for use
Any other colour	Meaning other than that of red, yellow or green

7.8.2 Colours of controls

The colour red shall be used only for a control by which a function is interrupted in case of emergency.

Compliance with the requirements of 7.8 is checked by inspection. See also 15.4.4.

7.9 ACCOMPANYING DOCUMENTS

7.9.1 * General (see also Table C.4)

ME EQUIPMENT shall be accompanied by documents containing at least the instructions for use and a technical description. The ACCOMPANYING DOCUMENTS shall be regarded as a part of the ME EQUIPMENT.

NOTE The purpose of the ACCOMPANYING DOCUMENTS is to promote the safe use of the ME EQUIPMENT during its EXPECTED SERVICE LIFE.

The ACCOMPANYING DOCUMENTS shall identify the ME EQUIPMENT by including, as applicable, the following:

- name or trade-name of the MANUFACTURER and an address to which the RESPONSIBLE ORGANIZATION can refer;
- MODEL OR TYPE REFERENCE (see 7.2.2).

ACCOMPANYING DOCUMENTS may be provided electronically, e.g. electronic file format on CD-ROM. If the ACCOMPANYING DOCUMENTS are provided electronically, the RISK MANAGEMENT PROCESS shall include consideration of which information also needs to be provided as hard copy or as markings on the ME EQUIPMENT, e.g. to cover emergency operation.

The ACCOMPANYING DOCUMENTS shall specify any special skills, training and knowledge required of the intended OPERATOR or the RESPONSIBLE ORGANIZATION and any restrictions on locations or environments in which the ME EQUIPMENT can be used.

The ACCOMPANYING DOCUMENTS shall be written at a level consistent with the education, training and any special needs of the person(s) for whom they are intended.

Compliance is checked by inspection.

7.9.2 Instructions for use (see also Table C.5)

7.9.2.1 * General

The instructions for use shall document:

- the use of the ME EQUIPMENT as intended by the MANUFACTURER,
- the frequently used functions, and
- any known contraindication(s) to the use of the ME EQUIPMENT.

The instructions for use shall include all applicable classifications specified in Clause 6, all markings specified in 7.2, and the explanation of safety signs and symbols (marked on the ME EQUIPMENT).

NOTE 1 The instructions for use are intended for the OPERATOR and the RESPONSIBLE ORGANIZATION and should contain only the information most likely to be useful to the OPERATOR or RESPONSIBLE ORGANIZATION. Additional details can be contained in the technical description. See also 7.9.3.

NOTE 2 Guidance on the preparation of instructions for use is found in IEC 62079 [25]. Guidance on the preparation of educational materials for ME EQUIPMENT is found in IEC/TR 61258 [24].

The instructions for use shall be in a language that is acceptable to the intended OPERATOR.

7.9.2.2 * Warning and safety notices

The instructions for use shall include all warning and safety notices.

NOTE General warnings and safety notices should be placed in a specifically identified section of the instructions for use. A warning or safety notice that applies only to a specific instruction or action should precede the instruction to which it applies.

For CLASS I ME EQUIPMENT, the instructions for use shall include a warning statement to the effect: "WARNING: To avoid the risk of electric shock, this equipment must only be connected to a supply mains with protective earth."

The instructions for use shall provide the OPERATOR or RESPONSIBLE ORGANIZATION with warnings regarding any significant RISKS of reciprocal interference posed by the presence of the ME EQUIPMENT during specific investigations or treatments.

The instructions for use shall include information regarding potential electromagnetic or other interference between the ME EQUIPMENT and other devices together with advice on ways to avoid or minimize such interference.

If the ME EQUIPMENT is provided with an integral MULTIPLE SOCKET-OUTLET, the instructions for use shall provide a warning statement that connecting electrical equipment to the MSO effectively leads to creating an ME SYSTEM and the result can be a reduced level of safety. For the requirements that are applicable to an ME SYSTEM, the RESPONSIBLE ORGANIZATION shall be referred to this standard.

7.9.2.3 ME EQUIPMENT specified for connection to a separate power supply

If ME EQUIPMENT is intended for connection to a separate power supply, either the power supply shall be specified as part of the ME EQUIPMENT or the combination shall be specified as an ME SYSTEM. The instructions for use shall state this specification.

7.9.2.4 Electrical power source

For mains-operated ME EQUIPMENT with an additional power source not automatically maintained in a fully usable condition, the instructions for use shall include a warning statement referring to the necessity for periodic checking or replacement of such an additional power source.

If leakage from a battery would result in an unacceptable RISK, the instructions for use shall include a warning to remove the battery if the ME EQUIPMENT is not likely to be used for some time.

If an INTERNAL ELECTRICAL POWER SOURCE is replaceable, the instructions for use shall state its specification.

If loss of the power source would result in an unacceptable RISK, the instructions for use shall contain a warning that the ME EQUIPMENT must be connected to an appropriate power source.

EXAMPLE Internal or external battery, uninterruptible power supply (UPS) or institutional stand-by generator.

7.9.2.5 ME EQUIPMENT description

The instructions for use shall include:

- a brief description of the ME EQUIPMENT;
- how the ME EQUIPMENT functions; and
- the significant physical and performance characteristics of the ME EQUIPMENT.

If applicable, this description shall include the expected positions of the OPERATOR, PATIENT and other persons near the ME EQUIPMENT in NORMAL USE (see 9.2.2.3).

The instructions for use shall include information on the materials or ingredients to which the PATIENT or OPERATOR is exposed if such exposure can constitute an unacceptable RISK (see 11.7).

The instructions for use shall specify any restrictions on other equipment or NETWORK/DATA COUPLINGS, other than those forming part of an ME SYSTEM, to which a SIGNAL INPUT/OUTPUT PART may be connected.

The instructions for use shall indicate any APPLIED PART.

7.9.2.6 * Installation

If installation of the ME EQUIPMENT or its parts is required, the instructions for use shall contain:

- a reference to where the installation instructions are to be found (e.g. the technical description), or
- contact information for persons designated by the MANUFACTURER as qualified to perform the installation.

7.9.2.7 * Isolation from the SUPPLY MAINS

If an APPLIANCE COUPLER or separable plug is used as the isolation means to satisfy 8.11.1 a), the instructions for use shall contain an instruction not to position the ME EQUIPMENT so that it is difficult to operate the disconnection device.

7.9.2.8 Start-up PROCEDURE

The instructions for use shall contain the necessary information for the OPERATOR to bring the ME EQUIPMENT into operation including such items as any initial control settings, connection to or positioning of the PATIENT, etc.

The instructions for use shall detail any treatment or handling needed before the ME EQUIPMENT, its parts, or ACCESSORIES can be used.

EXAMPLE A pre-use checklist.

7.9.2.9 Operating instructions

The instructions for use shall contain all information necessary to operate the ME EQUIPMENT in accordance with its specification. This shall include explanation of the functions of controls, displays and signals, the sequence of operation, and connection and disconnection of detachable parts and ACCESSORIES, and replacement of material that is consumed during operation.

The meanings of figures, symbols, warning statements, abbreviations and indicator lights on ME EQUIPMENT shall be explained in the instructions for use.

7.9.2.10 Messages

The instructions for use shall list all system messages, error messages and fault messages that are generated, unless these messages are self-explanatory.

NOTE 1 These lists can be identified in groups.

The list shall include an explanation of messages including important causes, and possible action(s) by the OPERATOR, if any, that are necessary to resolve the situation indicated by the message.

NOTE 2 Requirements and guidelines for messages generated by an alarm system are found in IEC 60601-1-8.

7.9.2.11 Shutdown PROCEDURE

The instructions for use shall contain the necessary information for the OPERATOR to safely terminate the operation of the ME EQUIPMENT.

7.9.2.12 Cleaning, disinfection and sterilization

For ME EQUIPMENT parts or ACCESSORIES that can become contaminated through contact with the PATIENT or with body fluids or expired gases during NORMAL USE, the instructions for use shall contain:

- details about cleaning and disinfection or sterilization methods that may be used; and
- list the applicable parameters such as temperature, pressure, humidity, time limits and number of cycles that such ME EQUIPMENT parts or ACCESSORIES can tolerate.

See also 11.6.6 and 11.6.7.

This requirement does not apply to any material, component, ACCESSORY or ME EQUIPMENT that is marked as intended for a single use unless the MANUFACTURER specifies that the material, component, ACCESSORY or ME EQUIPMENT is to be cleaned, disinfected or sterilized before use (see 7.2.1).

7.9.2.13 Maintenance

The instructions for use shall instruct the OPERATOR or RESPONSIBLE ORGANIZATION in sufficient detail concerning preventive inspection, maintenance and calibration to be performed by them, including the frequency of such maintenance.

The instructions for use shall provide information for the safe performance of such routine maintenance necessary to ensure the continued safe use of the ME EQUIPMENT.

Additionally, the instructions for use shall identify the parts on which preventive inspection and maintenance shall be performed by SERVICE PERSONNEL, including the periods to be applied, but not necessarily including details about the actual performance of such maintenance.

For ME EQUIPMENT containing rechargeable batteries that are intended to be maintained by anyone other than SERVICE PERSONNEL, the instructions for use shall contain instructions to ensure adequate maintenance.

7.9.2.14 ACCESSORIES, supplementary equipment, used material

The instructions for use shall include a list of ACCESSORIES, detachable parts and materials that the MANUFACTURER has determined are intended for use with the ME EQUIPMENT.

If ME EQUIPMENT is intended to receive its power from other equipment in an ME SYSTEM, the instructions for use shall sufficiently specify such other equipment to ensure compliance with the requirements of this standard (e.g. part number, RATED voltage, maximum or minimum power, protection class, intermittent or continuous service).

NOTE What was referred to in the first and second editions of this standard as a “specified power supply” is considered either as another part of the same ME EQUIPMENT or as other equipment in an ME SYSTEM. Similarly, a battery charger is considered either as part of the ME EQUIPMENT or as other equipment in an ME SYSTEM.

7.9.2.15 Environmental protection

The instructions for use shall:

- identify any RISKS associated with the disposal of waste products, residues, etc. and of the ME EQUIPMENT and ACCESSORIES at the end of their EXPECTED SERVICE LIFE; and
- provide advice on minimizing these RISKS.

7.9.2.16 Reference to the technical description

The instructions for use shall contain the information specified in 7.9.3 or a reference to where the material specified in 7.9.3 is to be found (e.g. in a service manual).

Compliance with the requirements of 7.9.2 is checked by inspection of the instructions for use in a language of an intended OPERATOR.

7.9.3 Technical description (see also Table C.6)

7.9.3.1 * General

The technical description shall provide all data that is essential for safe operation, transport and storage, and measures or conditions necessary for installing the ME EQUIPMENT, and preparing it for use. This shall include:

- the information required in 7.2;
- the permissible environmental conditions of use including conditions for transport and storage. See also 7.2.17;
- all characteristics of the ME EQUIPMENT, including range(s), accuracy, and precision of the displayed values or an indication where they can be found;
- any special installation requirements such as the maximum permissible apparent impedance of SUPPLY MAINS;

NOTE 1 The apparent impedance of the SUPPLY MAINS is the sum of the impedance of the distribution network plus the impedance of the power source.
- if liquid is used for cooling, the permissible range of values of inlet pressure and flow, and the chemical composition of the cooling liquid;
- a description of the means of isolating the ME EQUIPMENT from the SUPPLY MAINS, if such means is not incorporated in the ME EQUIPMENT (see 8.11.1 b));
- if applicable, a description of the means for checking the oil level in partially sealed oil-filled ME EQUIPMENT or its parts (see 15.4.9);
- a warning statement that addresses the HAZARDS that can result from unauthorized modification of the ME EQUIPMENT, e.g. a statement to the effect:
 - “WARNING: No modification of this equipment is allowed.”
 - “WARNING: Do not modify this equipment without authorization of the manufacturer.”
 - “WARNING: If this equipment is modified, appropriate inspection and testing must be conducted to ensure continued safe use of the equipment.”

If the technical description is separable from the instructions for use, it shall contain:

- the information required in 7.2;
- all applicable classifications specified in Clause 6, any warning and safety notices and the explanation of safety signs (marked on the ME EQUIPMENT);
- a brief description of the ME EQUIPMENT, how the ME EQUIPMENT functions and its significant physical and performance characteristics.

NOTE 2 The technical description is intended for the RESPONSIBLE ORGANIZATION and SERVICE PERSONNEL.

The MANUFACTURER may designate the minimum qualifications for SERVICE PERSONNEL. If present, these requirements shall be documented in the technical description.

NOTE 3 Some authorities with jurisdiction impose additional requirements for qualification of SERVICE PERSONNEL.

7.9.3.2 Replacement of fuses, POWER SUPPLY CORDS and other parts

The technical description shall contain, as applicable, the following:

- the required type and full rating of fuses used in the SUPPLY MAINS external to PERMANENTLY INSTALLED ME EQUIPMENT, if the type and rating of these fuses are not apparent from the information concerning RATED current and mode of operation of ME EQUIPMENT;
- for ME EQUIPMENT having a non-DETACHABLE POWER SUPPLY CORD, a statement as to whether the POWER SUPPLY CORD is replaceable by SERVICE PERSONNEL, and if so, instructions for correct connection and anchoring to ensure that the requirements of 8.11.3 will continue to be met;
- instructions for correct replacement of interchangeable or detachable parts that the MANUFACTURER specifies as replaceable by SERVICE PERSONNEL; and

- where replacement of a component could result in an unacceptable RISK, appropriate warnings that identify the nature of the HAZARD and, if the MANUFACTURER specifies the component as replaceable by SERVICE PERSONNEL, all information necessary to safely replace the component.

7.9.3.3 Circuit diagrams, component part lists, etc.

The technical description shall contain a statement that the MANUFACTURER will make available on request circuit diagrams, component part lists, descriptions, calibration instructions, or other information that will assist SERVICE PERSONNEL to repair those parts of ME EQUIPMENT that are designated by the MANUFACTURER as repairable by SERVICE PERSONNEL.

7.9.3.4 * Mains isolation

The technical description shall clearly identify any means used to comply with the requirements of 8.11.1.

Compliance with the requirements of 7.9.3 is checked by inspection of the technical description.

8 * Protection against electrical HAZARDS from ME EQUIPMENT

8.1 Fundamental rule of protection against electric shock

The limits specified in 8.4 shall not be exceeded for ACCESSIBLE PARTS and APPLIED PARTS in NORMAL CONDITION or SINGLE FAULT CONDITION. For other HAZARDOUS SITUATIONS in SINGLE FAULT CONDITION, see 13.1.

a) * NORMAL CONDITION includes all of the following simultaneously:

- the presence on any SIGNAL INPUT/OUTPUT PART of any voltage or current from other electrical equipment that is permitted to be connected according to the ACCOMPANYING DOCUMENTS as specified in 7.9, or, if the ACCOMPANYING DOCUMENTS place no restrictions on such other electrical equipment, the presence of the MAXIMUM MAINS VOLTAGE as specified in 8.5.3;
- transposition of supply connections, for ME EQUIPMENT intended for connection to a SUPPLY MAINS by means of a MAINS PLUG;
- short circuit of any or all insulation that does not comply with the requirements of 8.8;
- short circuit of any or all CREEPAGE DISTANCES or AIR CLEARANCES that do not comply with the requirements of 8.9;
- open circuit of any or all earth connections that do not comply with the requirements of 8.6, including any functional earth connection.

b) * SINGLE FAULT CONDITION includes:

- short circuit of any one insulation that complies with the requirements for one MEANS OF PROTECTION as specified in 8.8;
NOTE This includes short circuiting of either constituent part of DOUBLE INSULATION that complies with 8.8.
- short circuit of any one CREEPAGE DISTANCE or AIR CLEARANCE that complies with the requirements for one MEANS OF PROTECTION as specified in 8.9;
- short circuit and open circuit of any component other than a COMPONENT WITH HIGH-INTEGRITY CHARACTERISTICS that is connected in parallel with insulation, with an AIR CLEARANCE or with a CREEPAGE DISTANCE unless shorting can be shown not to be a failure mode for the component (see also 4.8 and 4.9);

- open circuit of any one PROTECTIVE EARTH CONDUCTOR or internal PROTECTIVE EARTH CONNECTION that complies with the requirements of 8.6: this does not apply to a PROTECTIVE EARTH CONDUCTOR of PERMANENTLY INSTALLED ME EQUIPMENT, which is considered unlikely to become disconnected;
- interruption of any one supply conductor, except for the neutral conductor of polyphase ME EQUIPMENT or PERMANENTLY INSTALLED ME EQUIPMENT;
- interruption of any one power-carrying conductor between ME EQUIPMENT parts in separate ENCLOSURES, if the RISK ANALYSIS indicates that this condition might cause permitted limits to be exceeded;
- unintended movement of a component; but only if the component is not mounted securely enough to ensure that such movement will be very unlikely to occur during the EXPECTED SERVICE LIFE of the ME EQUIPMENT, as determined by the RISK MANAGEMENT PROCESS (see also 8.10.1);
- accidental detachment of conductors and connectors where breaking free could lead to a HAZARDOUS SITUATION. See also 8.10.2.

Determination of which parts are ACCESSIBLE PARTS is performed in accordance with 5.9.

LEAKAGE CURRENTS are measured in accordance with 8.7.

8.2 Requirements related to power sources

8.2.1 Connection to a separate power source

If ME EQUIPMENT is specified for connection to a separate power source, other than the SUPPLY MAINS, either the separate power source shall be considered as part of the ME EQUIPMENT and all relevant requirements of this standard shall apply, or the combination shall be considered as an ME SYSTEM. See also 7.2.5, 7.9.2.14, 5.5 f) and Clause 16.

NOTE What was formerly referred to, in the first and second editions of this standard, as a “specified power supply” is now considered either as another part of the same ME EQUIPMENT or as another electrical equipment in an ME SYSTEM.

Compliance is checked by inspection and by testing as specified in 5.5 f). If a particular separate power supply is specified then the relevant tests are performed with the ME EQUIPMENT connected to it. If a generic separate power supply is specified, then the specification in the ACCOMPANYING DOCUMENTS is inspected.

8.2.2 Connection to an external d.c. power source

If ME EQUIPMENT is specified for power supplied from an external d.c. power source, no HAZARDOUS SITUATION, other than absence of ESSENTIAL PERFORMANCE, shall develop when a connection with the wrong polarity is made. The ME EQUIPMENT, when connection is subsequently made with the correct polarity, shall provide freedom from unacceptable RISK. Protective devices that can be reset by anyone without the use of a TOOL are acceptable provided that these restore correct operation on reset.

NOTE The external d.c. power source can be a SUPPLY MAINS or another item of electrical equipment. In the latter case, the combination is considered to be an ME SYSTEM as specified in 8.2.1.

Compliance is checked by inspection and, if necessary, by functional tests.

8.3 Classification of APPLIED PARTS

- a) * An APPLIED PART that is specified in the ACCOMPANYING DOCUMENTS as suitable for DIRECT CARDIAC APPLICATION shall be a TYPE CF APPLIED PART.

NOTE Other restrictions can apply for cardiac applications.

Compliance is checked by inspection.

- b) * An APPLIED PART that includes a PATIENT CONNECTION that is intended to deliver electrical energy or an electrophysiological signal to or from the PATIENT shall be a TYPE BF APPLIED PART or TYPE CF APPLIED PART.

Compliance is checked by inspection.

- c) An APPLIED PART not covered by a) or b) shall be a TYPE B APPLIED PART, TYPE BF APPLIED PART or TYPE CF APPLIED PART.

Compliance is checked by inspection.

- d) * For a part that is identified according to 4.6 as needing to be subject to the requirements for an APPLIED PART (except for marking), the requirements for a TYPE B APPLIED PART shall apply unless the RISK MANAGEMENT PROCESS identifies a need for the requirements for a TYPE BF APPLIED PART or TYPE CF APPLIED PART to apply.

8.4 Limitation of voltage, current or energy

8.4.1 * PATIENT CONNECTIONS intended to deliver current

The limits specified in 8.4.2 do not apply to currents that are intended to flow through the body of the PATIENT to produce a physiological effect during NORMAL USE.

8.4.2 ACCESSIBLE PARTS including APPLIED PARTS

- a) The currents from, to or between PATIENT CONNECTIONS shall not exceed the limits for PATIENT LEAKAGE CURRENT and PATIENT AUXILIARY CURRENT specified in Table 3 and Table 4 when measured as specified in 8.7.4.

Compliance is checked by measurement according to 8.7.4.

- b) * The LEAKAGE CURRENTS from, to or between ACCESSIBLE PARTS other than PATIENT CONNECTIONS shall not exceed the limits for TOUCH CURRENT specified in 8.7.3 c) when measured as specified in 8.7.4.

Compliance is checked by measurement according to 8.7.4.

- c) * The limits specified in b) above do not apply to the following parts if the probability of a connection to a PATIENT, either directly or through the body of the OPERATOR, through which a current exceeding the allowable TOUCH CURRENT could flow, is negligible in NORMAL USE, and the instructions for use instruct the OPERATOR not to touch the relevant part and the PATIENT simultaneously:

- accessible contacts of connectors;
- contacts of fuseholders that are accessible during replacement of the fuse;
- contacts of lampholders that are accessible after removal of the lamp;
- parts inside an ACCESS COVER that can be opened without the use of a TOOL, or where a TOOL is needed but the instructions for use instruct any OPERATOR other than SERVICE PERSONNEL to open the relevant ACCESS COVER.

EXAMPLE 1 Illuminated push-buttons

EXAMPLE 2 Indicator lamps

EXAMPLE 3 Recorder pens

EXAMPLE 4 Parts of plug-in modules

EXAMPLE 5 Batteries

For such parts, the voltage to earth or to other ACCESSIBLE PARTS shall not exceed 42,4 V peak a.c. or 60 V d.c. in NORMAL CONDITION or in SINGLE FAULT CONDITION. The d.c. limit of 60 V applies to d.c. with not more than 10 % peak-to-peak ripple. If the ripple exceeds that amount, the 42,4 V peak limit applies. The energy shall not exceed 240 VA for longer than 60 s or the stored energy available shall not exceed 20 J at a potential up to 2 V.

NOTE If voltages higher than the limits specified in 8.4.2 c) are present, the LEAKAGE CURRENT limits referred to in 8.4.2 b) apply.

Compliance is checked by inspection of the RISK MANAGEMENT FILE, by reference to the instructions for use and by measurement.

d) * The voltage and energy limits specified in c) above also apply to:

- internal parts, other than contacts of plugs, connectors and socket-outlets, that can be touched by the test pin shown in Figure 8 inserted through an opening in an ENCLOSURE; and
- internal parts that can be touched by a metal test rod with a diameter of 4 mm and a length of 100 mm, inserted through any opening in the top of an ENCLOSURE or through any opening provided for the adjustment of pre-set controls that may be adjusted by the RESPONSIBLE ORGANIZATION in NORMAL USE by using a TOOL.

See also 8.9.4 concerning the measurement of CREEPAGE DISTANCES and AIR CLEARANCES through slots or openings in external parts to the standard test finger.

Compliance is checked by inserting the test pin or the test rod through relevant openings. The test pin is inserted in every possible position with minimal force (not more than 1 N).

The test rod is inserted in every possible position through openings provided for the adjustment of pre-set controls that can be adjusted by the RESPONSIBLE ORGANIZATION in NORMAL USE, in case of doubt with a force of 10 N.

If the instructions for use specify that a particular TOOL is to be used, the test is repeated with that TOOL.

The test rod is also freely and vertically suspended through any opening in the top of an ENCLOSURE.

Dimensions in millimetres

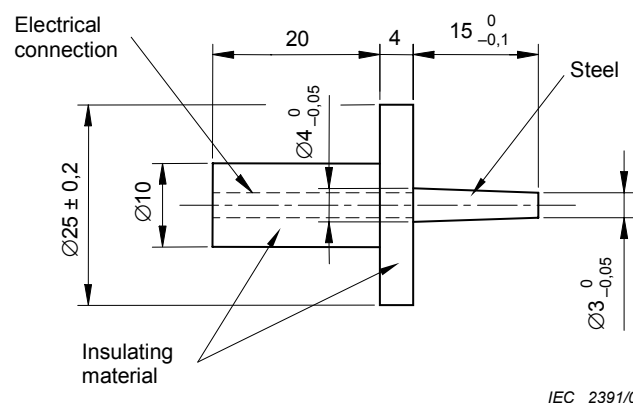


Figure 8 – Test pin
(see 8.4.2 d))

- e) Where an ACCESS COVER that can be opened without the use of a TOOL gives access to parts that are at voltages above the levels permitted by this subclause, but these parts are automatically de-energized when the ACCESS COVER is opened, the device(s) used to de-energize the parts shall meet the requirements specified in 8.11.1 for mains isolating switches and shall remain effective in SINGLE FAULT CONDITION. If it is possible to prevent these devices from operating, a TOOL shall be required.

Compliance is checked by inspection.

8.4.3 * ME EQUIPMENT intended to be connected to a power source by a plug

ME EQUIPMENT or its parts intended to be connected to a power source by means of a plug shall be so designed that 1 s after disconnection of the plug the voltage between the pins of the plug and between either supply pin and the ENCLOSURE does not exceed 60 V or, if this value is exceeded, the stored charge does not exceed 45 μC .

Compliance is checked by the following test:

ME EQUIPMENT is operated at RATED voltage or at the upper limit of the RATED voltage range.

ME EQUIPMENT is disconnected from the power source with any relevant switch in the "On" and "Off" positions.

Either the ME EQUIPMENT is disconnected from the power source by means of the plug, in which case the test is performed as many times as necessary to allow the worst case to be measured, or a triggering circuit is used to ensure that disconnection occurs at the peak of the supply voltage waveform.

The voltage between the pins of the plug and between any pin and the ENCLOSURE is measured 1 s after disconnection with an instrument the internal impedance of which does not affect the test.

The stored charge can be measured or calculated by any convenient method.

8.4.4 * Internal capacitive circuits

Conductive parts of capacitive circuits that become accessible after ME EQUIPMENT has been de-energized and ACCESS COVERS as present in NORMAL USE have been removed immediately thereafter, shall not have a residual voltage exceeding 60 V, or, if this value is exceeded, shall not have a stored charge exceeding 45 μC .

If automatic discharging is not reasonably possible and ACCESS COVERS can be removed only with the aid of a TOOL, a device that is included and which permits manual discharging is acceptable. The capacitor(s) or the connected circuitry shall then be marked with symbol IEC 60417-5036 (DB:2002-10) (see Table D.1, symbol 24) and the non-automatic discharging device shall be specified in the technical description.

Compliance is checked by the following test:

ME EQUIPMENT is operated at RATED voltage and then de-energized. Any ACCESS COVERS present in NORMAL USE are removed as quickly as normally possible. Immediately thereafter, the residual voltage on any accessible capacitors or circuit parts is measured and the stored charge calculated.

If a non-automatic discharging device is specified in the technical description, its inclusion and marking are ascertained by inspection.

8.5 Separation of parts

8.5.1 * MEANS OF PROTECTION (MOP)

8.5.1.1 General

ME EQUIPMENT shall have two MEANS OF PROTECTION to prevent APPLIED PARTS and other ACCESSIBLE PARTS from exceeding the limits specified in 8.4.

Each MEANS OF PROTECTION shall be categorized as a MEANS OF PATIENT PROTECTION or a MEANS OF OPERATOR PROTECTION, taking account of 4.6. See also Figure A.12.

Varnishing, enamelling, oxidation and similar protective finishes, as well as covering with sealing compounds that can replasticeze at temperatures to be expected during operation (including sterilization), shall not be regarded as a MEANS OF PROTECTION.

NOTE Coatings and other insulation that are intended as a MEANS OF PROTECTION and that comply with IEC 60950-1:2001 are acceptable as a MEANS OF OPERATOR PROTECTION but not automatically as a MEANS OF PATIENT PROTECTION. For MEANS OF PATIENT PROTECTION, considerations can arise as a result of the RISK MANAGEMENT PROCESS.

Components and wiring forming a MEANS OF PROTECTION shall comply with the relevant requirements of 8.10.

Any insulation, CREEPAGE DISTANCE, AIR CLEARANCES, component or earth connection that does not comply with the requirements of 8.5.1.2 and 8.5.1.3 shall not be considered as a MEANS OF PROTECTION. Failure of any or all such parts shall be regarded as NORMAL CONDITION.

8.5.1.2 MEANS OF PATIENT PROTECTION (MOPP)

Solid insulation forming a MEANS OF PATIENT PROTECTION shall comply with the dielectric strength test according to 8.8 at the test voltage specified in Table 6.

CREEPAGE DISTANCES and AIR CLEARANCES forming a MEANS OF PATIENT PROTECTION shall comply with the limits specified in Table 12.

PROTECTIVE EARTH CONNECTIONS forming a MEANS OF PATIENT PROTECTION shall comply with the requirements and tests of 8.6.

A Y1 capacitor complying with IEC 60384-14 is considered equivalent to one MEANS OF PATIENT PROTECTION provided that it will pass the dielectric strength test for two MEANS OF PATIENT PROTECTION. Where two capacitors are used in series, they shall each be RATED for the total WORKING VOLTAGE across the pair and shall have the same NOMINAL capacitance.

8.5.1.3 MEANS OF OPERATOR PROTECTION (MOOP)

Solid insulation forming a MEANS OF OPERATOR PROTECTION shall:

- comply with the dielectric strength test according to 8.8 at the test voltage specified in Table 6; or
- comply with the requirements of IEC 60950-1 for INSULATION CO-ORDINATION.

CREEPAGE DISTANCES and AIR CLEARANCES forming a MEANS OF OPERATOR PROTECTION shall:

- comply with the limits specified in Table 13 to Table 16 (inclusive); or
- comply with the requirements of IEC 60950-1 for INSULATION CO-ORDINATION.

PROTECTIVE EARTH CONNECTIONS forming a MEANS OF OPERATOR PROTECTION shall either:

- comply with the requirements of 8.6; or
- comply with the requirements and tests of IEC 60950-1 for protective earthing.

A Y2 capacitor complying with IEC 60384-14 is considered equivalent to one MEANS OF OPERATOR PROTECTION provided that it will pass the dielectric strength test for one MEANS OF OPERATOR PROTECTION. A Y1 capacitor complying with IEC 60384-14 is considered equivalent to two MEANS OF OPERATOR PROTECTION provided that it will pass the dielectric strength test for two MEANS OF OPERATOR PROTECTION. Where two capacitors are used in series, they shall each be RATED for the total WORKING VOLTAGE across the pair and shall have the same NOMINAL capacitance.

Compliance with 8.5.1.1 to 8.5.1.3 (inclusive) is checked by examination of the physical and electrical configuration of the ME EQUIPMENT to identify points at which insulation, CREEPAGE DISTANCES, AIR CLEARANCES, impedances of components or PROTECTIVE EARTH CONNECTIONS prevent ACCESSIBLE PARTS from exceeding the limits specified in 8.4.

NOTE Such points typically include insulation between parts different from earth potential and ACCESSIBLE PARTS but can also include, for example, insulation between a floating circuit and earth or other circuits. A survey of insulation paths is found in Annex J.

For each such point, it is determined whether:

- *solid insulation complies with the dielectric strength test according to 8.8 or, for a MEANS OF OPERATOR PROTECTION, with the requirements of IEC 60950-1 for INSULATION CO-ORDINATION;*
- *CREEPAGE DISTANCES and AIR CLEARANCES are as specified in 8.9 or, for a MEANS OF OPERATOR PROTECTION, with the requirements of IEC 60950-1 for INSULATION CO-ORDINATION;*
- *components that are connected in parallel with an insulation, with an AIR CLEARANCE or with a CREEPAGE DISTANCE comply with 4.8 and 8.10.1;*
- *PROTECTIVE EARTH CONNECTIONS comply with the requirements of 8.6 or, for a MEANS OF OPERATOR PROTECTION, with the requirements of IEC 60950-1 for protective earthing;*

and hence whether a failure at that point is to be regarded as a NORMAL CONDITION or as a SINGLE FAULT CONDITION.

Each MEANS OF PROTECTION is categorized in relation to the ME EQUIPMENT part(s) which it protects from exceeding permitted limits. It is a MEANS OF PATIENT PROTECTION if it protects APPLIED PARTS or parts that are identified according to 4.6 as needing to be subject to the same requirements as APPLIED PARTS. Otherwise it is a MEANS OF OPERATOR PROTECTION.

The WORKING VOLTAGE is determined by inspection, calculation or measurement, according to 8.5.4.

The voltage, current or energy that can appear between any ACCESSIBLE PART and any other ACCESSIBLE PART or earth in NORMAL CONDITION and in SINGLE FAULT CONDITION is determined by inspection or calculation or, where necessary, by measurement in the relevant conditions.

8.5.2 Separation of PATIENT CONNECTIONS

8.5.2.1 * F-TYPE APPLIED PARTS

The PATIENT CONNECTION(S) of any F-TYPE APPLIED PART shall be separated from all other parts, including the PATIENT CONNECTION(S) of other APPLIED PARTS, by means equivalent to one MEANS OF PATIENT PROTECTION for a WORKING VOLTAGE equal to the MAXIMUM MAINS VOLTAGE and shall comply with the specified limit for PATIENT LEAKAGE CURRENT with 110 % of the MAXIMUM MAINS VOLTAGE applied.

A single F-TYPE APPLIED PART may include multiple functions, in which case separation between such functions is not required.

If there is no electrical separation between PATIENT CONNECTION(S) of the same or another function (e.g. between ECG electrode and pressure catheter), then these PATIENT CONNECTION(S) are treated as one APPLIED PART.

Whether multiple functions are to be considered as all within one APPLIED PART or as multiple APPLIED PARTS is as defined by the MANUFACTURER.

The classification as TYPE BF, TYPE CF or DEFIBRILLATION-PROOF applies to the whole of one APPLIED PART.

Compliance is checked by inspection, by the LEAKAGE CURRENT tests of 8.7.4, by the dielectric strength test of 8.8.3 and by measurement of relevant CREEPAGE DISTANCES and AIR CLEARANCES.

NOTE The separation means between an F-TYPE APPLIED PART and other parts are subject both to these tests, related to the MAXIMUM MAINS VOLTAGE, and to tests related to the voltages present within the respective circuits as specified in 8.5.4. Depending on the magnitude of the latter voltages, one set of tests or the other could be more stringent.

Any protective device connected between PATIENT CONNECTIONS of an F-TYPE APPLIED PART and the ENCLOSURE for the purpose of providing protection against excessive voltages shall not operate below 500 V r.m.s.

Compliance is checked by testing the operating voltage of the protective device.

8.5.2.2 * TYPE B APPLIED PARTS

The PATIENT CONNECTION(S) of a TYPE B APPLIED PART that is not PROTECTIVELY EARTHED shall be separated by one MEANS OF PATIENT PROTECTION from metal ACCESSIBLE PARTS that are not PROTECTIVELY EARTHED, unless:

- the metal ACCESSIBLE PART is physically contiguous with the APPLIED PART and can be regarded as a part of the APPLIED PART; and
- the RISK that the metal ACCESSIBLE PART will make contact with a source of voltage or LEAKAGE CURRENT above permitted limits is acceptably low.

Compliance is checked by inspection, by the LEAKAGE CURRENT tests of 8.7.4, by the dielectric strength test of 8.8.3, by measurement of relevant CREEPAGE DISTANCES and AIR CLEARANCES, and by reference to the RISK MANAGEMENT FILE.

8.5.2.3 * PATIENT leads

Any connector for electrical connections on a PATIENT lead that:

- is at the end of the lead remote from the PATIENT; and
- contains a conductive part that is not separated from all PATIENT CONNECTION(S) by one MEANS OF PATIENT PROTECTION for a WORKING VOLTAGE equal to the MAXIMUM MAINS VOLTAGE.

shall be constructed so that the said part cannot become connected to earth or possible hazardous voltage while the PATIENT CONNECTION(S) contact the PATIENT.

NOTE Where the phrase “said part” is mentioned in this subclause, it refers to the “...conductive part of the connector that is not separated from all PATIENT CONNECTIONS...” from the first sentence of this subclause.

In particular:

- the said part shall not come into contact with a flat conductive plate of not less than 100 mm diameter;
- the AIR CLEARANCE between connector pins and a flat surface shall be at least 0,5 mm;
- if able to be plugged into a mains socket, the said part shall be protected from making contact with parts at MAINS VOLTAGE by insulating means providing a CREEPAGE DISTANCE of at least 1,0 mm and a dielectric strength of 1 500 V and complying with 8.8.4.1;
- the straight unjointed test finger with the same dimensions as the standard test finger of Figure 6 shall not make electrical contact with the said part if applied in the least favourable position against the access openings with a force of 10 N, unless the RISK MANAGEMENT PROCESS demonstrates that no unacceptable RISK exists from contact with objects other than a mains socket or a flat surface (e.g. corners or edges).

Compliance is checked by inspection and test as required.

8.5.3 * MAXIMUM MAINS VOLTAGE

The MAXIMUM MAINS VOLTAGE shall be determined as follows:

- for single-phase or d.c. SUPPLY MAINS powered ME EQUIPMENT, including INTERNALLY POWERED ME EQUIPMENT that also has a means of connection to a SUPPLY MAINS, the MAXIMUM MAINS VOLTAGE is the highest RATED supply voltage; unless this is less than 100 V, in which case the MAXIMUM MAINS VOLTAGE is 250 V;
- for polyphase ME EQUIPMENT, the MAXIMUM MAINS VOLTAGE is the highest RATED phase to neutral supply voltage;
- for other INTERNALLY POWERED ME EQUIPMENT, the MAXIMUM MAINS VOLTAGE is 250 V.

8.5.4 * WORKING VOLTAGE

The WORKING VOLTAGE for each MEANS OF PROTECTION shall be determined as follows:

- The input supply voltage to the ME EQUIPMENT shall be the RATED voltage or the voltage within the RATED voltage range which results in the highest measured value.
- For d.c. voltages with superimposed ripple, the WORKING VOLTAGE is the average value if the peak-to-peak ripple does not exceed 10 % of the average value or the peak voltage if the peak-to-peak ripple exceeds 10 % of the average value.
- The WORKING VOLTAGE for each MEANS OF PROTECTION forming DOUBLE INSULATION is the voltage to which the DOUBLE INSULATION as a whole is subjected.
- For WORKING VOLTAGE involving a PATIENT CONNECTION not connected to earth, the situation in which the PATIENT is earthed (intentionally or accidentally) is regarded as a NORMAL CONDITION.
- The WORKING VOLTAGE between the PATIENT CONNECTION(S) of an F-TYPE APPLIED PART and the ENCLOSURE is taken as the highest voltage appearing across the insulation in NORMAL USE including earthing of any part of the APPLIED PART. See also 8.5.2.1.

- For DEFIBRILLATION-PROOF APPLIED PARTS, the WORKING VOLTAGE is determined without regard to the possible presence of defibrillation voltages. See also 8.5.5 and 8.9.1.15.
- In the case of motors provided with capacitors where a resonance voltage can occur between the point where a winding and a capacitor are connected together on the one hand and any terminal for external conductors on the other hand, the WORKING VOLTAGE shall be equal to the resonance voltage.

8.5.5 DEFIBRILLATION-PROOF APPLIED PARTS

8.5.5.1 * Defibrillation protection

The classification DEFIBRILLATION-PROOF APPLIED PART shall apply to the whole of one APPLIED PART.

NOTE 1 This requirement does not apply to separate functions of the same APPLIED PART but the possibility of an OPERATOR receiving a shock from such parts should be considered in the RISK MANAGEMENT PROCESS.

See 8.9.1.15 for the requirements for CREEPAGE DISTANCES and AIR CLEARANCES associated with a DEFIBRILLATION-PROOF APPLIED PART.

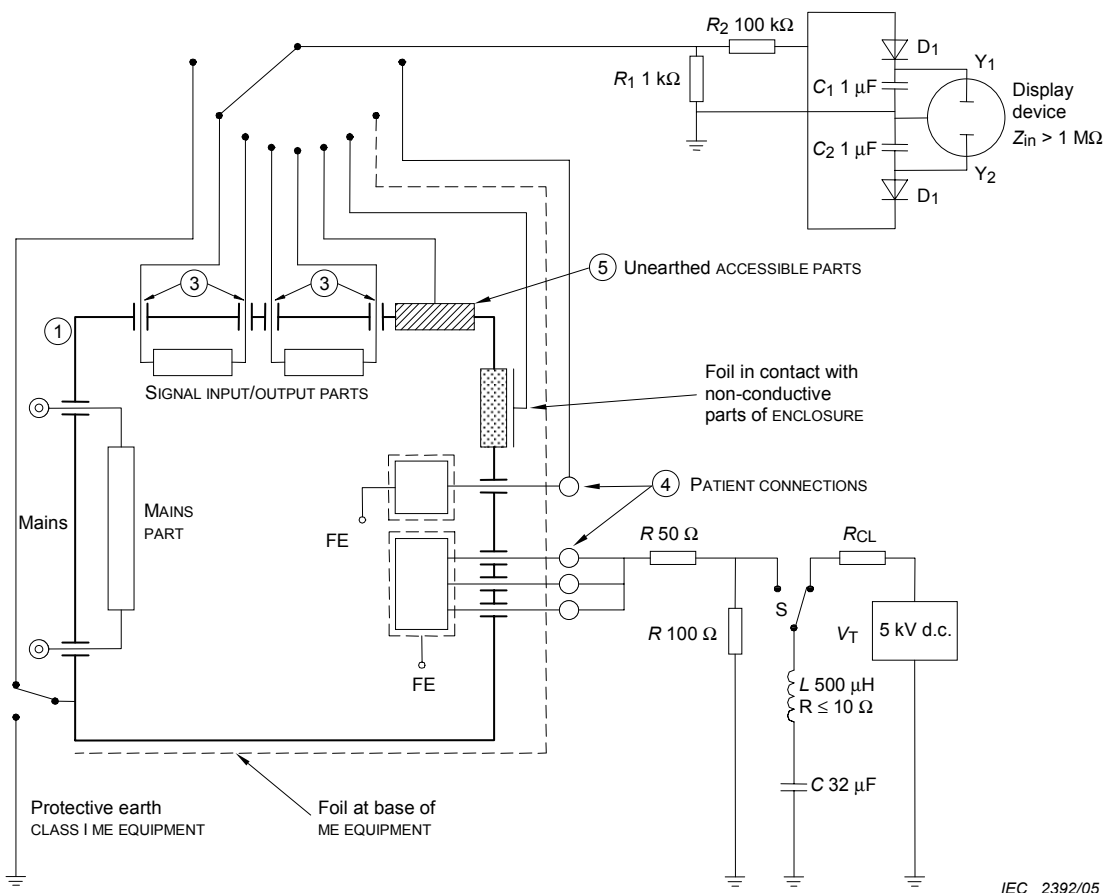
Arrangements used to isolate the PATIENT CONNECTION(S) of a DEFIBRILLATION-PROOF APPLIED PART from other parts of ME EQUIPMENT shall be so designed that:

- a) During a discharge of a cardiac defibrillator to a PATIENT connected to a DEFIBRILLATION-PROOF APPLIED PART, hazardous electrical energies, as determined by the peak voltage measured between the points Y_1 and Y_2 of Figure 9 and Figure 10 exceeding 1 V, do not appear on:
 - the ENCLOSURE, including connectors in PATIENT leads and cables when connected to the ME EQUIPMENT;
NOTE 2 This requirement does not apply to a connecting lead from a DEFIBRILLATION-PROOF APPLIED PART or its connector when it is disconnected from the ME EQUIPMENT.
 - any SIGNAL INPUT/OUTPUT PART;
 - metal foil for test on which the ME EQUIPMENT is placed and which has an area at least equal to the base of the ME EQUIPMENT; or
 - PATIENT CONNECTIONS of any other APPLIED PART (whether or not classified as a DEFIBRILLATION-PROOF APPLIED PART).
- b) Following exposure to the defibrillation voltage, and any necessary recovery time stated in the ACCOMPANYING DOCUMENTS, the ME EQUIPMENT shall comply with relevant requirements of this standard and shall continue to provide BASIC SAFETY and ESSENTIAL PERFORMANCE.

Compliance is checked by the following tests, for each DEFIBRILLATION-PROOF APPLIED PART in turn.

- **Common-mode test**

The ME EQUIPMENT is connected to the test circuit as shown in Figure 9. The test voltage is applied to all the PATIENT CONNECTIONS of the DEFIBRILLATION-PROOF APPLIED PART connected together, excluding any that are PROTECTIVELY EARTHED or functionally earthed.



IEC 2392/05

For legends, see Table 5.

Components

- V_T Test voltage
 S Switch for applying the test voltage
 R_1, R_2 Tolerance at $\pm 2\%$, not less than 2 kV
 R_{CL} Current limiting resistor
 D_1, D_2 Small signal silicon diodes
 Other components tolerated at $\pm 5\%$

Figure 9 – Application of test voltage to bridged PATIENT CONNECTIONS for DEFIBRILLATION-PROOF APPLIED PARTS
 (see 8.5.5.1)

• Differential-mode test

The ME EQUIPMENT is connected to the test circuit as shown in Figure 10. The test voltage is applied to each PATIENT CONNECTION of the DEFIBRILLATION-PROOF APPLIED PART in turn with all the remaining PATIENT CONNECTIONS of the same DEFIBRILLATION-PROOF APPLIED PART being connected to earth.

NOTE The differential-mode test is not used when the APPLIED PART consists of a single PATIENT CONNECTION.

During the above tests:

- *except for PERMANENTLY INSTALLED ME EQUIPMENT, the ME EQUIPMENT is to be tested with and without the PROTECTIVE EARTH CONDUCTOR connected (i.e. two separate tests);*
- *insulating surfaces of APPLIED PARTS are covered with metal foil or, where appropriate, immersed in a 0,9 % saline solution;*
- *any external connection to a FUNCTIONAL EARTH TERMINAL is removed;*
- *parts specified 8.5.5.1 a) that are not PROTECTIVELY EARTHED are connected in turn to a display device;*
- *the ME EQUIPMENT is connected to the SUPPLY MAINS and operated in accordance with the instructions for use.*

After the operation of S, the peak voltage between the points Y₁ and Y₂ is measured. Each test is repeated with V_T reversed.

After any recovery time stated in the ACCOMPANYING DOCUMENTS, determine that the ME EQUIPMENT continues to provide BASIC SAFETY and ESSENTIAL PERFORMANCE.

8.5.5.2 Energy reduction test

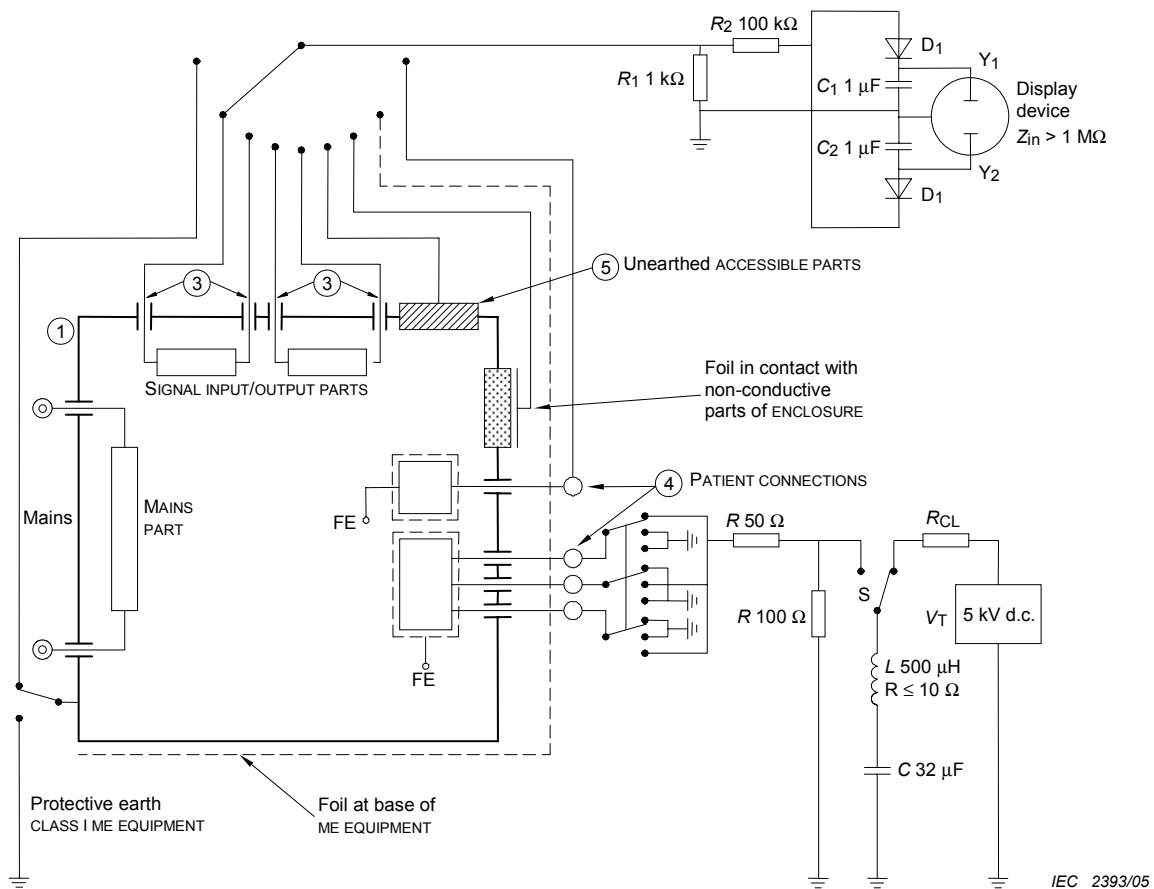
DEFIBRILLATION-PROOF APPLIED PARTS or PATIENT CONNECTIONS of DEFIBRILLATION-PROOF APPLIED PARTS shall incorporate a means so that the defibrillator energy delivered to a 100 Ω load is at least 90 % of the energy delivered to this load with the ME EQUIPMENT disconnected.

Compliance is checked by the following test:

The test circuit is shown in Figure 11. For this test, the ACCESSORIES such as cables, electrodes and transducers that are recommended in the instructions for use (see 7.9.2.14) are used. The test voltage is applied to each PATIENT CONNECTION or APPLIED PART in turn with all the remaining PATIENT CONNECTIONS of the same APPLIED PART being connected to earth.

The PROCEDURE is as follows.

- a) *Connect the APPLIED PART or PATIENT CONNECTION to the test circuit.*
- b) *Charge capacitor C to 5 kV d.c. with switch S in position A.*
- c) *Discharge capacitor C by actuating the switch S to position B, and measure the energy E₁ delivered to the 100 Ω load.*
- d) *Remove the ME EQUIPMENT under test from the test circuit and repeat steps b) and c) above, measuring the energy E₂ delivered to the 100 Ω load.*
- e) *Verify that the energy E₁ is at least 90 % of E₂.*

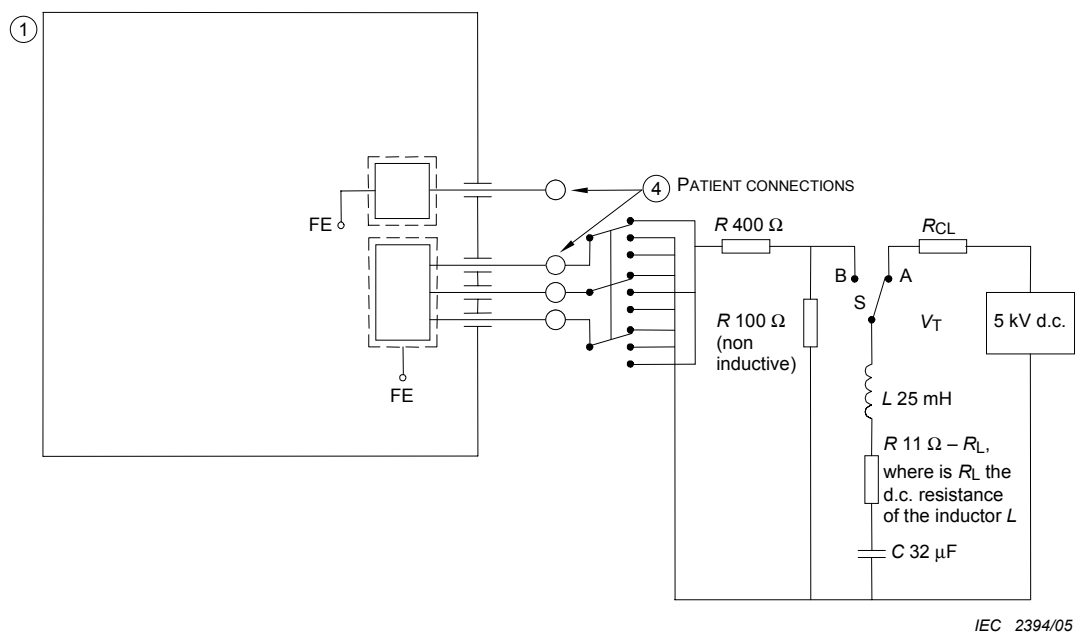


For legends, see Table 5.

Components

- V_T Test voltage
- S Switch for applying the test voltage
- R_1, R_2 Tolerance at $\pm 2\%$, not less than 2 k Ω
- R_{CL} Current limiting resistor
- D_1, D_2 Small signal silicon diodes
- Other components toleranced at $\pm 5\%$

Figure 10 – Application of test voltage to individual PATIENT CONNECTIONS for DEFIBRILLATION-PROOF APPLIED PARTS
(see 8.5.5.1)



For legends, see Table 5.

Components

- S Switch for applying the test energy
 A, B Switch positions
 R_{CL} Current limiting resistor
 Components tolerated at $\pm 5\%$

Figure 11 – Application of test voltage to test the delivered defibrillation energy
 (see 8.5.5.2)

8.6 * Protective earthing, functional earthing and potential equalization of ME EQUIPMENT

8.6.1 * Applicability of requirements

The requirements of 8.6.2 to 8.6.8 (inclusive) apply unless the parts concerned comply with the requirements and tests of IEC 60950-1 for protective earthing and serve as MEANS OF OPERATOR PROTECTION but not as MEANS OF PATIENT PROTECTION.

8.6.2 * PROTECTIVE EARTH TERMINAL

The PROTECTIVE EARTH TERMINAL of ME EQUIPMENT shall be suitable for connection to an external protective earthing system either by a PROTECTIVE EARTH CONDUCTOR in a POWER SUPPLY CORD and, where appropriate, by a suitable plug, or by a FIXED PROTECTIVE EARTH CONDUCTOR.

The clamping means of the PROTECTIVE EARTH TERMINAL of ME EQUIPMENT for FIXED supply conductors or POWER SUPPLY CORDS shall comply with the requirements of 8.11.4.3. It shall not be possible to loosen the clamping means without the aid of a TOOL.

Screws for internal PROTECTIVE EARTH CONNECTIONS shall be completely covered or protected against accidental loosening from the outside of ME EQUIPMENT.

Where an APPLIANCE INLET forms the supply connection to ME EQUIPMENT, the earth pin of the APPLIANCE INLET shall be regarded as the PROTECTIVE EARTH TERMINAL.

The PROTECTIVE EARTH TERMINAL shall not be used for the mechanical connection between different parts of the ME EQUIPMENT or the fixing of any component not related to protective earthing or functional earthing.

Compliance is checked by inspection of materials and construction, by manual tests, and by the test of 8.11.4.3.

8.6.3 * Protective earthing of moving parts

Any PROTECTIVE EARTH CONNECTION shall not be used for a moving part unless the MANUFACTURER demonstrates that the connection will remain reliable during the EXPECTED SERVICE LIFE of the ME EQUIPMENT.

Compliance is checked by inspection of the ME EQUIPMENT and if necessary inspection of the RISK MANAGEMENT FILE.

8.6.4 Impedance and current-carrying capability

- a) * PROTECTIVE EARTH CONNECTIONS shall be able to carry fault currents reliably and without excessive voltage drop.

For PERMANENTLY INSTALLED ME EQUIPMENT, the impedance between the PROTECTIVE EARTH TERMINAL and any part that is PROTECTIVELY EARTHED shall not exceed 100 m Ω , except as allowed by 8.6.4 b).

For ME EQUIPMENT with an APPLIANCE INLET the impedance between the earth pin in the APPLIANCE INLET and any part that is PROTECTIVELY EARTHED shall not exceed 100 m Ω , except as allowed by 8.6.4 b).

For ME EQUIPMENT with a non-DETACHABLE POWER SUPPLY CORD the impedance between the protective earth pin in the MAINS PLUG and any part that is PROTECTIVELY EARTHED shall not exceed 200 m Ω , except as allowed by 8.6.4 b).

Compliance is checked by the following test:

A current of 25 A or 1,5 times the highest RATED current of the relevant circuit(s), whichever is greater ($\pm 10\%$), from a current source with a frequency of 50 Hz or 60 Hz and with a no-load voltage not exceeding 6 V, is passed for 5 s to 10 s through the PROTECTIVE EARTH TERMINAL or the protective earth contact in the APPLIANCE INLET or the protective earth pin in the MAINS PLUG and each PROTECTIVELY EARTHED part.

The voltage drop between the parts described is measured and the impedance determined from the current and voltage drop.

Where the product of the test current as specified above and the total impedance (i.e. the impedance being measured plus the impedance of the test leads and the contact impedances) would exceed 6 V, the impedance is first measured with a no-load voltage not exceeding 6 V.

If the measured impedance is within the permitted limit, either the impedance measurement is then repeated using a current source with a no-load voltage sufficient to deliver the specified current into the total impedance, or the current-carrying ability of the relevant protective earth conductor and protective earth connection is confirmed by checking that their cross sectional area is at least equal to that of the relevant current-carrying conductors.

- b) * The impedance of PROTECTIVE EARTH CONNECTIONS is allowed to exceed the values specified above if the relevant circuits have limited current capability such that, in case of short circuit of relevant insulation, the allowable values of the TOUCH CURRENT and the PATIENT LEAKAGE CURRENT in SINGLE FAULT CONDITION are not exceeded.

Compliance is checked by inspection and if necessary by measurement of LEAKAGE CURRENT in the relevant SINGLE FAULT CONDITION. Transient currents occurring during the first 50 ms following the short circuit are disregarded.

8.6.5 Surface coatings

Conductive elements of ME EQUIPMENT that have surface coatings of poorly conducting material such as paint, and between which electrical contact is essential to a PROTECTIVE EARTH CONNECTION, shall have the coatings removed at the point of contact unless an investigation of the joint construction and the manufacturing PROCESS has demonstrated that the requirements for impedance and current-carrying capacity are assured without the removal of the surface coating.

Compliance is checked by inspection.

8.6.6 Plugs and sockets

Where the connection between the SUPPLY MAINS and ME EQUIPMENT or between separate parts of ME EQUIPMENT that can be operated by persons other than SERVICE PERSONNEL is made via a plug and socket device, the PROTECTIVE EARTH CONNECTION shall be made before and interrupted after the supply connections are made or interrupted. This applies also where interchangeable parts are PROTECTIVELY EARTHED.

Compliance is checked by inspection.

8.6.7 * POTENTIAL EQUALIZATION CONDUCTOR

If ME EQUIPMENT is provided with a terminal for the connection of a POTENTIAL EQUALIZATION CONDUCTOR, the following requirements apply.

- The terminal shall be accessible to the OPERATOR with the ME EQUIPMENT in any position of NORMAL USE.
- The RISK of accidental disconnection shall be minimized in NORMAL USE.
- The terminal shall allow the conductor to be detached without the use of a TOOL.
- The terminal shall not be used for a PROTECTIVE EARTH CONNECTION.
- The terminal shall be marked with symbol IEC 60417-5021 (DB:2002-10) (see Table D.1, symbol 8).
- The instructions for use shall contain information on the function and use of the POTENTIAL EQUALIZATION CONDUCTOR together with a reference to the requirements of this standard for ME SYSTEMS.

The POWER SUPPLY CORD shall not incorporate a POTENTIAL EQUALIZATION CONDUCTOR.

Compliance is checked by inspection.

8.6.8 FUNCTIONAL EARTH TERMINAL

A FUNCTIONAL EARTH TERMINAL of ME EQUIPMENT shall not be used to provide a PROTECTIVE EARTH CONNECTION.

Compliance is checked by inspection.

8.6.9 * CLASS II ME EQUIPMENT

If CLASS II ME EQUIPMENT with isolated internal screens is supplied with a POWER SUPPLY CORD having three conductors, the third conductor (connected to the protective earth contact of the MAINS PLUG) shall be used only as the functional earth connection to a FUNCTIONAL EARTH TERMINAL for these screens and shall be coloured green and yellow.

The insulation of such internal screens and all internal wiring connected to them shall provide two MEANS OF PROTECTION. In such case, there shall be an explanation in the technical description.

Compliance is checked by inspection and measurement. The insulation is tested as described in 8.8.

8.7 LEAKAGE CURRENTS and PATIENT AUXILIARY CURRENTS

8.7.1 General requirements

- a) The electrical isolation providing protection against electric shock shall be of such quality that currents flowing through it are limited to the values specified in 8.7.3.
- b) The specified values of the EARTH LEAKAGE CURRENT, the TOUCH CURRENT, the PATIENT LEAKAGE CURRENT and the PATIENT AUXILIARY CURRENT apply in any combination of the following conditions:
 - at operating temperature and following the humidity preconditioning treatment, as described in 5.7;
 - in NORMAL CONDITION and in the SINGLE FAULT CONDITIONS specified in 8.7.2;
 - with ME EQUIPMENT energized in stand-by condition and fully operating and with any switch in the MAINS PART in any position;
 - with the highest RATED supply frequency;
 - with a supply equal to 110 % of the highest RATED MAINS VOLTAGE.

8.7.2 * SINGLE FAULT CONDITIONS

The allowable values specified in 8.7.3 apply in the SINGLE FAULT CONDITIONS specified in 8.1 b) except that:

- where insulation is used in conjunction with a PROTECTIVE EARTH CONNECTION, short circuit of the insulation applies only in the circumstances specified in 8.6.4 b);
- the only SINGLE FAULT CONDITION for the EARTH LEAKAGE CURRENT is the interruption of one supply conductor at a time;
- LEAKAGE CURRENTS and PATIENT AUXILIARY CURRENT are not measured in the SINGLE FAULT CONDITION of short circuiting of one constituent part of DOUBLE INSULATION.

SINGLE FAULT CONDITIONS shall not be applied at the same time as the special test conditions of MAXIMUM MAINS VOLTAGE ON APPLIED PARTS (8.7.4.7 b)) and non-PROTECTIVELY EARTHED parts of the ENCLOSURE (8.7.4.7 d)).

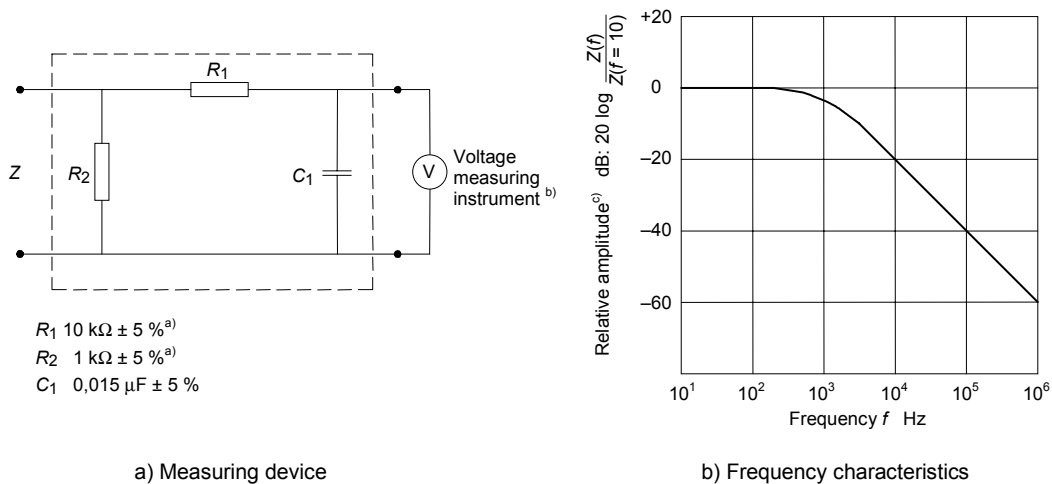
8.7.3 * Allowable values

- a) The allowable values specified in 8.7.3 b), c) and d) apply to currents flowing through the network of Figure 12 a) and measured as shown in this figure (or by a device measuring the frequency contents of the currents as defined in Figure 12 b)). The values apply to d.c. and a.c. and composite waveforms. Unless stated otherwise they may be d.c. or r.m.s.


- b) The allowable values of the PATIENT LEAKAGE CURRENTS and PATIENT AUXILIARY CURRENTS are stated in Table 3 and Table 4. The values of a.c. apply to currents having a frequency not less than 0,1 Hz.
- c) The allowable values of the TOUCH CURRENT are 100 µA in NORMAL CONDITION and 500 µA in SINGLE FAULT CONDITION.
- d) The allowable values of the EARTH LEAKAGE CURRENT are 5 mA in NORMAL CONDITION and 10 mA in SINGLE FAULT CONDITION. For PERMANENTLY INSTALLED ME EQUIPMENT connected to a supply circuit that supplies only this ME EQUIPMENT, a higher value of EARTH LEAKAGE CURRENT is allowed.

NOTE Local regulation can establish limits for protective earth currents of the installation. See also IEC 60364-7-710 [10].

- e) Additionally, regardless of waveform and frequency, no LEAKAGE CURRENT shall exceed 10 mA r.m.s. in NORMAL CONDITION or in SINGLE FAULT CONDITION when measured with a non-frequency-weighted device.



IEC 2395/05

NOTE The network and voltage measuring instrument above are replaced by the symbol  in the following figures.

- a) Non-inductive components
- b) Resistance ≥ 1 MΩ and capacitance ≤ 150 pF
- c) $Z(f)$ is the transfer impedance of the network, i.e. V_{out}/I_{in} , for a current of frequency f .

Figure 12 – Example of a measuring device and its frequency characteristics
 (see 8.7.3)

Table 3 – * Allowable values of PATIENT LEAKAGE CURRENTS and PATIENT AUXILIARY CURRENTS under NORMAL CONDITION and SINGLE FAULT CONDITION

Current in μA

Current	Description	Reference	Measuring Circuit		TYPE B APPLIED PART		TYPE BF APPLIED PART		TYPE CF APPLIED PART	
					NC	SFC	NC	SFC	NC	SFC
PATIENT AUXILIARY CURRENT		8.7.4.8	Figure 19	d.c.	10	50	10	50	10	50
				a.c.	100	500	100	500	10	50
PATIENT LEAKAGE CURRENT	From PATIENT CONNECTION to earth	8.7.4.7 a)	Figure 15	d.c.	10	50	10	50	10	50
				a.c.	100	500	100	500	10	50
	Caused by an external voltage on a SIP/SOP	8.7.4.7 c)	Figure 17	d.c.	10	50	10	50	10	50
				a.c.	100	500	100	500	10	50
Total PATIENT LEAKAGE CURRENT ^a	With the same types of APPLIED PART connected together	8.7.4.7 a) and 8.7.4.7 h)	Figure 15 and Figure 20	d.c.	50	100	50	100	50	100
				a.c.	500	1 000	500	1 000	50	100
	Caused by an external voltage on a SIP/SOP	8.7.4.7 c) and 8.7.4.7 h)	Figure 17 and Figure 20	d.c.	50	100	50	100	50	100
				a.c.	500	1 000	500	1 000	50	100
<p>Key NC = NORMAL CONDITION SFC = SINGLE FAULT CONDITION</p> <p>NOTE 1 For EARTH LEAKAGE CURRENT see 8.7.3 d). NOTE 2 For TOUCH CURRENT see 8.7.3 c).</p> <p>^a Total PATIENT LEAKAGE CURRENT values are only applicable to equipment having multiple APPLIED PARTS. See 8.7.4.7 h). The individual APPLIED PARTS shall comply with the PATIENT LEAKAGE CURRENT values.</p>										

Table 4 – * Allowable values of PATIENT LEAKAGE CURRENTS under the special test conditions identified in 8.7.4.7

Current in μA

Current	Description ^a	Reference	Measuring Circuit	TYPE B APPLIED PART	TYPE BF APPLIED PART	TYPE CF APPLIED PART
PATIENT LEAKAGE CURRENT	Caused by an external voltage on the PATIENT CONNECTION of an F-TYPE APPLIED PART	8.7.4.7 b)	Figure 16	Not applicable	5 000	50
	Caused by an external voltage on a metal ACCESSIBLE PART not PROTECTIVELY EARTHED	8.7.4.7 d)	Figure 18	500	500	– ^c
Total PATIENT LEAKAGE CURRENT ^b	Caused by an external voltage on the PATIENT CONNECTION of an F-TYPE APPLIED PART	8.7.4.7 b) and 8.7.4.7 h)	Figure 16 and Figure 20	Not applicable	5 000	100
	Caused by an external voltage on a metal ACCESSIBLE PART not PROTECTIVELY EARTHED	8.7.4.7 d) and 8.7.4.7 h)	Figure 18 and Figure 20	1 000	1 000	– ^c
<p>^a The condition referred to in Table IV of the second edition as “MAINS VOLTAGE on APPLIED PART”, and treated in that edition as a SINGLE FAULT CONDITION, is treated in this edition as a special test condition. The test with MAXIMUM MAINS VOLTAGE on a non-PROTECTIVELY EARTHED ACCESSIBLE PART is also a special test condition, but the allowable values are the same as for SINGLE FAULT CONDITION. See also the rationales for 8.5.2.2 and 8.7.4.7 d).</p> <p>^b Total PATIENT LEAKAGE CURRENT values are only applicable to equipment having multiple APPLIED PARTS. See 8.7.4.7 h). The individual APPLIED PARTS shall comply with the PATIENT LEAKAGE CURRENT values.</p> <p>^c This condition is not tested with TYPE CF APPLIED PARTS because it is covered by the test with MAXIMUM MAINS VOLTAGE on the APPLIED PART. See also the rationale for 8.7.4.7 d).</p>						

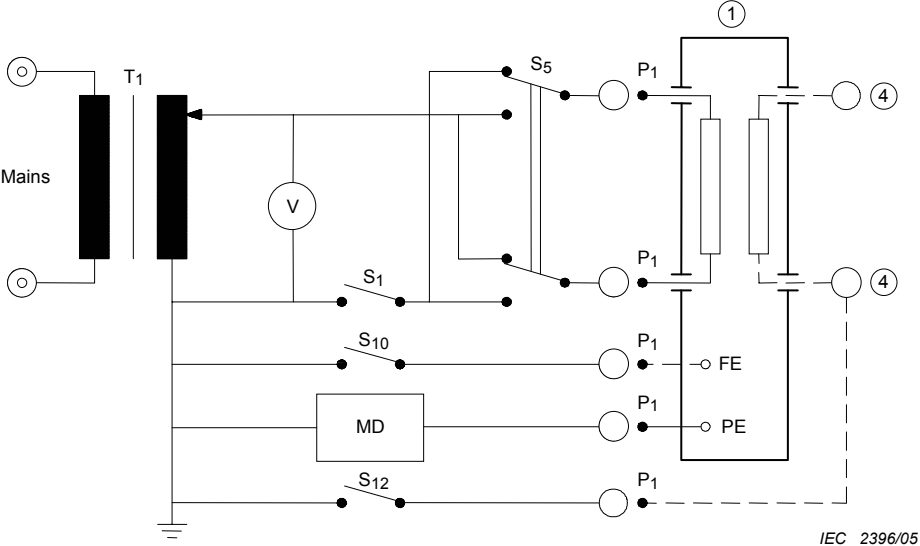
8.7.4 Measurements

8.7.4.1 General

The LEAKAGE CURRENT and PATIENT AUXILIARY CURRENT test figures referenced in 8.7.4.5 to 8.7.4.8 (Figure 13 to Figure 19 inclusive) show suitable test configurations for use in conjunction with the test PROCEDURES specified in these subclauses. It is recognized that other test figures can yield accurate results. However if the test results are close to the allowed values or if there is any doubt as to the validity of the test results, the applicable test figure is to be used as the deciding factor.

- a) The EARTH LEAKAGE CURRENT, the TOUCH CURRENT, the PATIENT LEAKAGE CURRENT and the PATIENT AUXILIARY CURRENT are measured after the ME EQUIPMENT has been brought up to operating temperature in accordance with the requirements of 11.1.3 c).

b) Where examination of the circuit arrangement and the arrangement of components and material of the ME EQUIPMENT shows no possibility of any HAZARDOUS SITUATION, the number of tests can be reduced.



For legends, see Table 5.

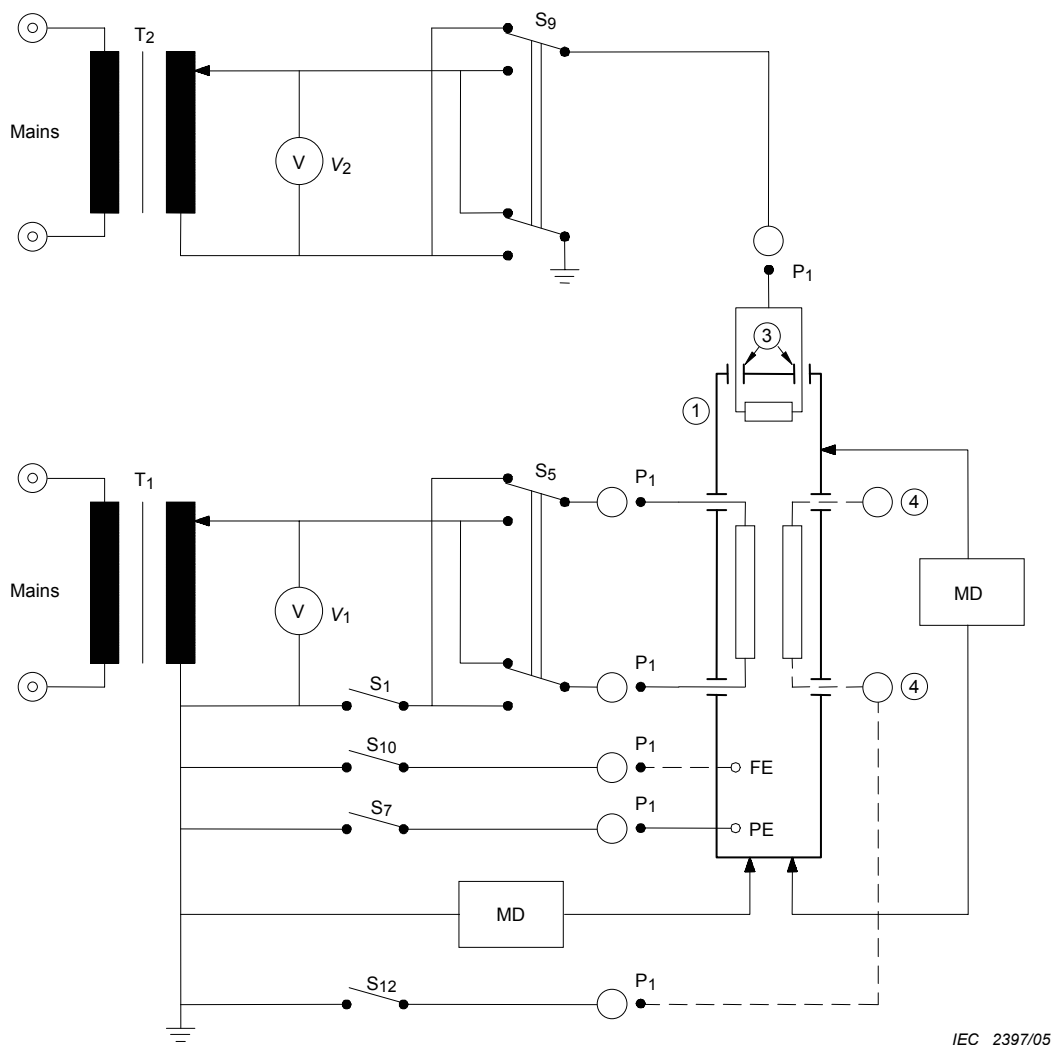
Key

Measure in all possible combinations of positions of S₅, S₁₀ and S₁₂ with:

- S₁ closed (NORMAL CONDITION), and
- S₁ open (SINGLE FAULT CONDITION).

Example with the measuring supply circuit of Figure F.1

Figure 13 – Measuring circuit for the EARTH LEAKAGE CURRENT of CLASS I ME EQUIPMENT, with or without APPLIED PART (see 8.7.4.5)



IEC 2397/05

For legends, see Table 5.

Key

Measure (with S_7 closed if CLASS I equipment) under all possible combinations of positions of S_1 , S_5 , S_9 , S_{10} , and S_{12} .

S_1 open is SINGLE FAULT CONDITION.

CLASS I equipment only:

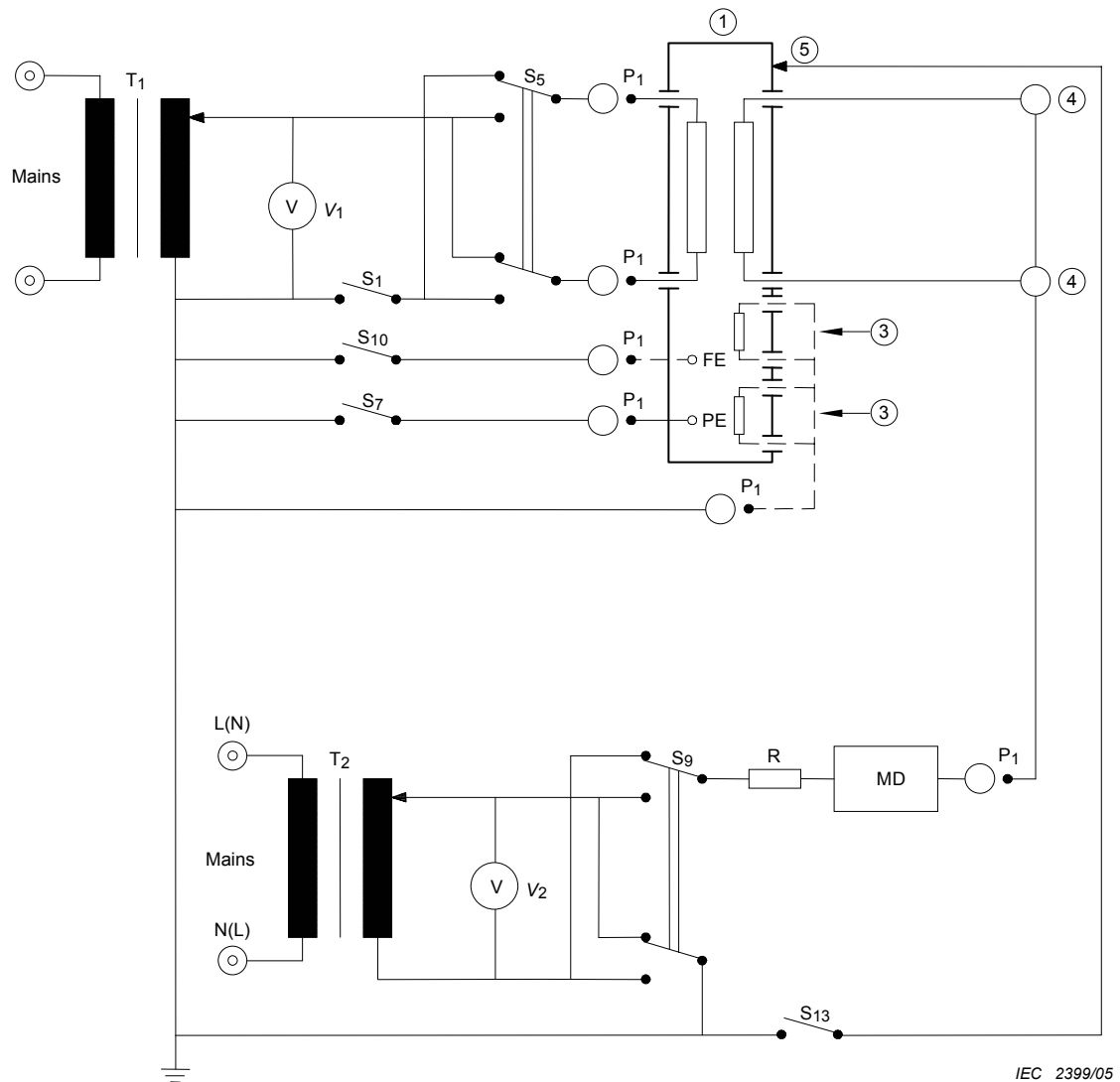
Measure with S_7 open (SINGLE FAULT CONDITION) and with S_1 closed under all possible combinations of S_5 , S_9 , S_{10} and S_{12} .

For CLASS II equipment, the PROTECTIVE EARTH CONNECTION and S_7 are not used.

Transformer T_2 is used if required (see 8.1 a))

Example with the measuring supply circuit of Figure F.1.

Figure 14 – Measuring circuit for the TOUCH CURRENT
(see 8.7.4.6)



For legends, see Table 5.

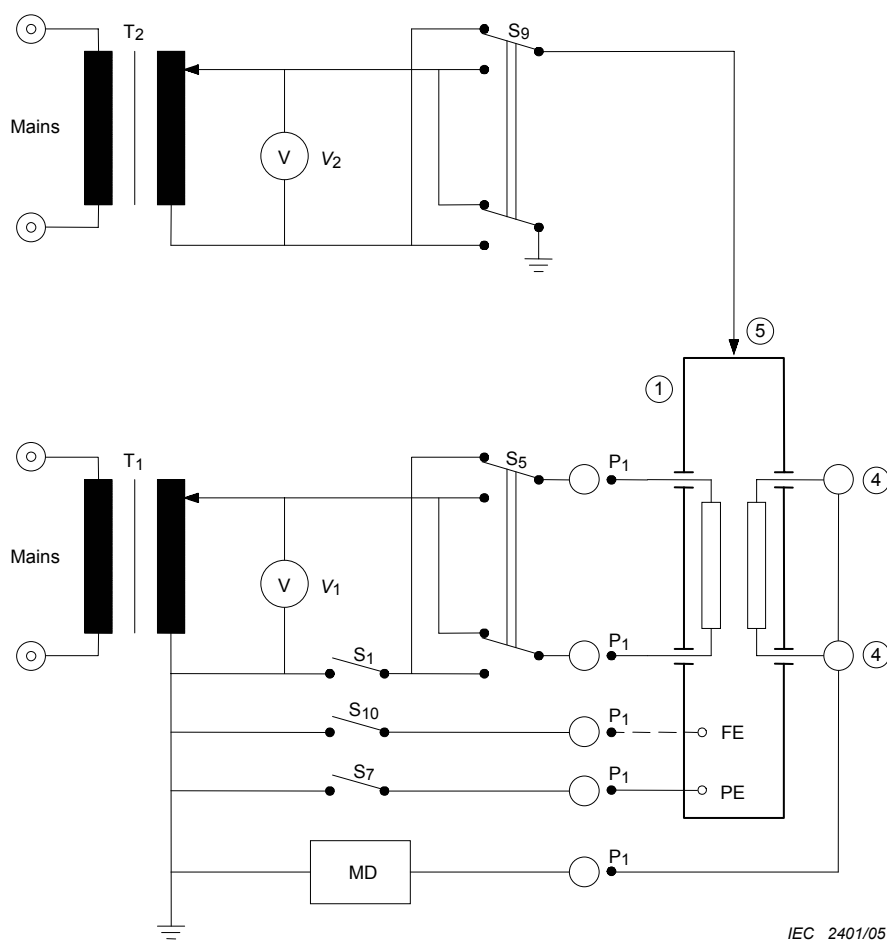
Key

Measure (with S_7 closed, if CLASS I ME EQUIPMENT) WITH S_1 closed under all possible combinations of positions of S_5 , S_9 , S_{10} and S_{13} .

For CLASS II ME EQUIPMENT, the PROTECTIVE EARTH CONNECTION and S_7 are not used.

Example with the measuring supply circuit of Figure F.1.

Figure 16 – Measuring circuit for the PATIENT LEAKAGE CURRENT via the PATIENT CONNECTION(S) of an F-TYPE APPLIED PART to earth caused by an external voltage on the PATIENT CONNECTION(S)
(see 8.7.4.7 b))



For legends, see Table 5.

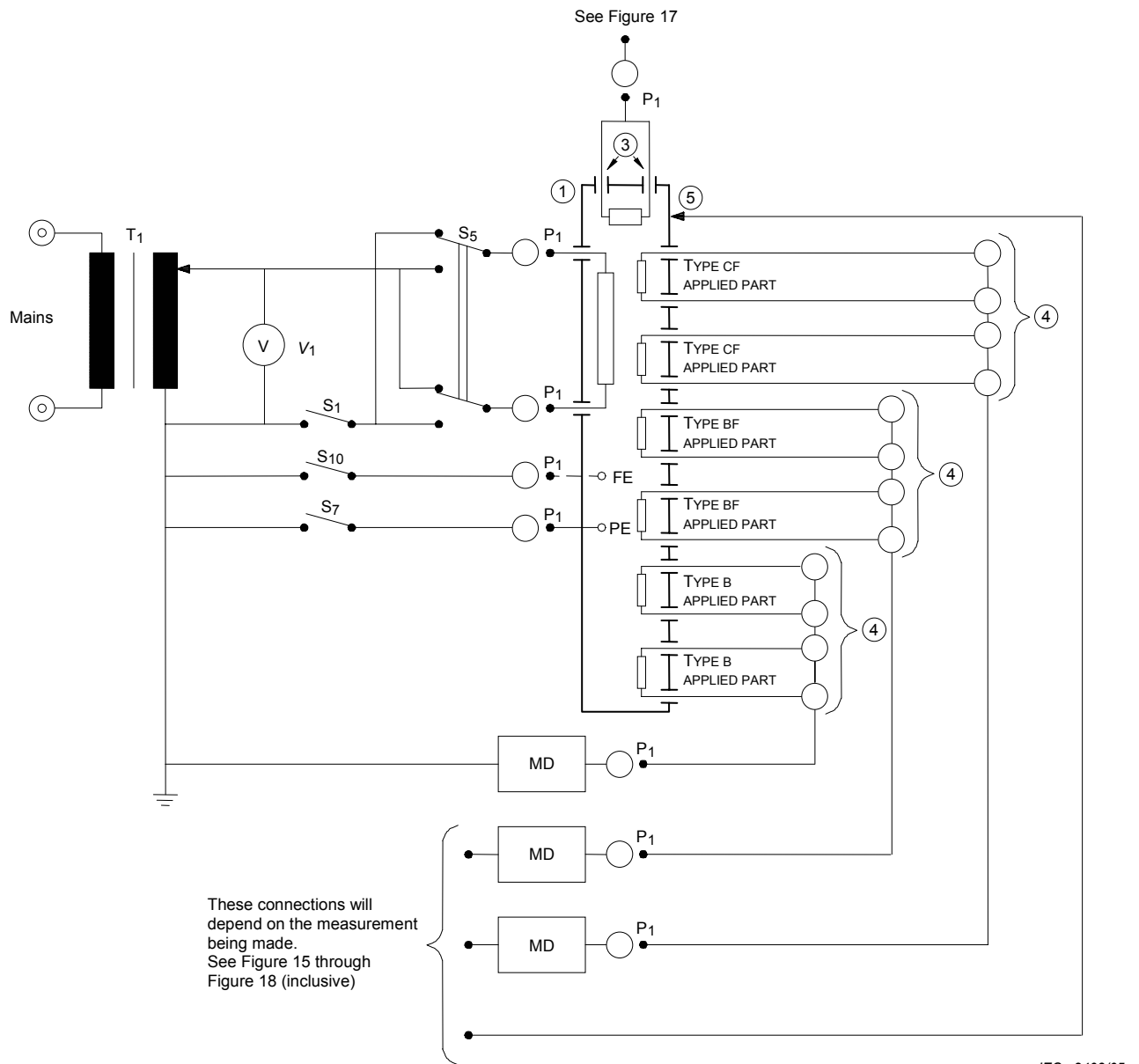
Key

Measure with S_1 closed (and with S_7 closed, if CLASS I ME EQUIPMENT) under all possible combinations of positions of S_5 , S_9 and S_{10}

For CLASS II ME EQUIPMENT, the PROTECTIVE EARTH CONNECTION and S_7 are not used.

Example with the measuring supply circuit of Figure F.1.

Figure 18 – Measuring circuit for the PATIENT LEAKAGE CURRENT from PATIENT CONNECTION(S) to earth caused by an external voltage on a metal ACCESSIBLE PART that is not PROTECTIVELY EARTHED (see 8.7.4.7 d))









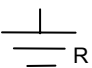

For legends, see Table 5.

Key

For the position of S₁, S₅, S₇ and S₁₀, see Figure 15, Figure 16, Figure 17 or Figure 18

Figure 20 – Measuring circuit for the total PATIENT LEAKAGE CURRENT with all PATIENT CONNECTIONS of all APPLIED PARTS of the same type (TYPE B APPLIED PARTS, TYPE BF APPLIED PARTS OR TYPE CF APPLIED PARTS) connected together (see 8.7.4.7 h))

Table 5 – Legends of symbols for Figure 9 to Figure 11, Figure 13 to Figure 20, Figure A.15, Annexes E and F

	ME EQUIPMENT ENCLOSURE
	Separate power supply unit or other electrical equipment in an ME SYSTEM that supplies power to the ME EQUIPMENT (see 5.5 g) and Annex F)
	SIGNAL INPUT/OUTPUT PART short circuited or loaded
	PATIENT CONNECTIONS
	Metal ACCESSIBLE PART not PROTECTIVELY EARTHED
	PATIENT circuit
T_1, T_2	Single- or polyphase isolation transformers with sufficient power rating and adjustable output voltage (See also the rationale for 8.7.4.2.)
$V_{(1,2,3)}$	Voltmeter indicating r.m.s. value, using, if relevant and possible, one meter with a commutator switch
S_1, S_2, S_3	Single-pole switches, simulating the interruption of a power supply conductor (SINGLE FAULT CONDITION) (See Annex F)
S_5, S_9	Commutator switches to reverse the polarity of the MAINS VOLTAGE
S_7	Single-pole switch, simulating the interruption of a single PROTECTIVE EARTH CONDUCTOR to the ME EQUIPMENT (SINGLE FAULT CONDITION)
S_8	Single pole switch simulating the interruption of a single PROTECTIVE EARTH CONDUCTOR to a separate power supply unit or other electrical equipment in an ME SYSTEM that supplies power to the ME EQUIPMENT (SINGLE FAULT CONDITION) (see Figure F.5)
S_{10}	Switch for connecting a FUNCTIONAL EARTH TERMINAL to the earthed point of the measuring supply system
S_{12}	Switch for connecting a PATIENT CONNECTION to the earthed point of the measuring supply circuit
S_{13}	Switch for connecting to earth a metal ACCESSIBLE PART not PROTECTIVELY EARTHED
S_{14}	Switch to connect/disconnect PATIENT CONNECTION to/from earth
P_1	Sockets, plugs or terminals for the supply connection of the ME EQUIPMENT
P_2	Sockets, plugs or terminals for the connection to a separate power supply or other electrical equipment in an ME SYSTEM that supplies power to the ME EQUIPMENT (see Figure F.5)
MD	Measuring device (see Figure 12)
FE	FUNCTIONAL EARTH TERMINAL
PE	PROTECTIVE EARTH TERMINAL
R	Impedance to protect the circuitry and the person performing the test, but low enough to accept currents higher than the allowable values of the LEAKAGE CURRENT to be measured
----	Optional connection
	Reference earth (for LEAKAGE CURRENT and PATIENT AUXILLARY CURRENT measurements and for testing of DEFIBRILLATION-PROOF APPLIED PARTS, not connected to protective earth of the SUPPLY MAINS)
	SUPPLY MAINS voltage source

8.7.4.2 * Measuring supply circuits

ME EQUIPMENT specified for connection to a SUPPLY MAINS is connected to an appropriate power source. For single-phase ME EQUIPMENT, the polarity of the supply is reversible and tests are conducted at both polarities. INTERNALLY POWERED ME EQUIPMENT is tested without any connection to a measuring supply circuit.

NOTE Figure F.1 to Figure F.5 (inclusive) show some suitable arrangements but do not cover all possibilities, for example, delta-connected 3-phase supplies.

8.7.4.3 * Connection to the measuring supply circuit

- a) *ME EQUIPMENT provided with a POWER SUPPLY CORD is tested using this cord.*
- b) *ME EQUIPMENT provided with an APPLIANCE INLET is tested while connected to the measuring supply circuit via a DETACHABLE POWER SUPPLY CORD having a length of 3 m or a length and type specified in the instructions for use.*
- c) *PERMANENTLY INSTALLED ME EQUIPMENT is tested while connected to the measuring supply circuit by the shortest possible connection.*

d) Measuring arrangement

- 1) *APPLIED PARTS, including PATIENT cables (when present), are placed on an insulating surface with a dielectric constant of approximately 1 (for example, expanded polystyrene) and approximately 200 mm above an earthed metal surface.*

NOTE 1 The measuring supply circuit and the measuring circuit should be positioned as far as possible away from unscreened power source leads. Placing the ME EQUIPMENT on or near a large earthed metal surface should be avoided.

NOTE 2 Where APPLIED PARTS are such that the test results can depend upon how they are placed on the insulating surface, the test is repeated as necessary to determine the worst possible positioning.

- 2) *If an isolating transformer is not used for LEAKAGE CURRENT measurements (e.g. when measuring LEAKAGE CURRENT for very high input power ME EQUIPMENT), the reference earth of the measuring circuits is connected to protective earth of the SUPPLY MAINS.*

8.7.4.4 Measuring device (MD)

- a) *The measuring device loads the source of LEAKAGE CURRENT or PATIENT AUXILIARY CURRENT with a resistive impedance of approximately 1 000 Ω for d.c., a.c. and composite waveforms with frequencies up to and including 1 MHz.*
- b) *The evaluation of current or current components according to 8.7.3 a) is obtained automatically if a measuring device according to Figure 12 a) or a similar circuit with the same frequency characteristic is used. This allows measurement of the total effect of all frequencies with a single instrument.*

If currents or current components with frequencies exceeding 1 kHz might exceed the 10 mA limit specified in 8.7.3 e), these are measured by other appropriate means such as a 1 k Ω non-inductive resistor and suitable measuring instrument.

- c) *The voltage measuring instrument as shown in Figure 12 a) has an input resistance of at least 1 M Ω and input capacitance of no more than 150 pF. It indicates the true r.m.s. value of the voltage being d.c., a.c. or a composite waveform having components with frequencies from 0,1 Hz up to and including 1 MHz, with an indicating error not exceeding $\pm 5\%$ of the indicated value.*

The scale can indicate the current through the measuring device including automatic evaluation of components with frequencies above 1 kHz so as to enable direct comparison of the reading with the limit values specified in 8.7.3.

These requirements can be limited to a frequency range with an upper limit lower than 1 MHz if it can be proven (for example, by the use of an oscilloscope) that frequencies above such an upper limit do not occur in the measured current.

8.7.4.5 * Measurement of the EARTH LEAKAGE CURRENT

- a) *CLASS I ME EQUIPMENT is tested according to Figure 13.*
- b) *If ME EQUIPMENT has more than one PROTECTIVE EARTH CONDUCTOR (for example, one connected to the main ENCLOSURE and one to a separate power supply unit), then the current to be measured is the aggregate current that would flow into the protective earthing system of the installation.*
- c) *For FIXED ME EQUIPMENT that can have connections to earth through the building structure, the MANUFACTURER specifies a suitable test PROCEDURE and configuration for measurement of EARTH LEAKAGE CURRENT.*

8.7.4.6 * Measurement of the TOUCH CURRENT

- a) *ME EQUIPMENT is tested according to Figure 14, using an appropriate measuring supply circuit.*

Measure with MD between earth and each part of the ENCLOSURE(S) that is not PROTECTIVELY EARTHED.

Measure with MD between parts of the ENCLOSURE(S) that are not PROTECTIVELY EARTHED.

In the SINGLE FAULT CONDITION of interruption of any one PROTECTIVE EARTH CONDUCTOR (when applicable, see 8.1 b)), measure with MD between earth and any part of the ENCLOSURE(S) that is normally PROTECTIVELY EARTHED.

NOTE It is not necessary to make separate measurements from more than one part that is PROTECTIVELY EARTHED.

INTERNALLY POWERED ME EQUIPMENT is investigated for TOUCH CURRENT but only between parts of the ENCLOSURE, not between the ENCLOSURE and earth unless 8.7.4.6 c) applies.

- b) *If ME EQUIPMENT has an ENCLOSURE or a part of the ENCLOSURE made of insulating material, metal foil of maximum 20 cm x 10 cm is applied in intimate contact with the ENCLOSURE or relevant part of the ENCLOSURE.*

The metal foil is shifted, if possible, to determine the highest value of the TOUCH CURRENT. The metal foil should not touch any metal parts of the ENCLOSURE that are possibly PROTECTIVELY EARTHED; however, metal parts of the ENCLOSURE that are not PROTECTIVELY EARTHED can be covered partly or totally by the metal foil.

Where it is intended to measure the TOUCH CURRENT in the SINGLE FAULT CONDITION of interruption of a PROTECTIVE EARTH CONDUCTOR, the metal foil is arranged to contact parts of the ENCLOSURE that are normally PROTECTIVELY EARTHED.

Where the surface of the ENCLOSURE contacted by the PATIENT or OPERATOR is larger than 20 cm x 10 cm, the size of the foil is increased corresponding to the area of contact.

- c) *ME EQUIPMENT with a SIGNAL INPUT/OUTPUT PART is, when required (see 8.1 a)), additionally tested using transformer T_2 .*

The value of the voltage set at the transformer T_2 is equal to 110 % of the MAXIMUM MAINS VOLTAGE. The specific pin configuration used when applying the external voltage is determined to be worst case based on testing or circuit analysis.

8.7.4.7 Measurement of the PATIENT LEAKAGE CURRENT

See Annex K, which contains simplified PATIENT LEAKAGE CURRENT diagrams, for supplemental explanatory detail.

- a) *ME EQUIPMENT with an APPLIED PART is tested according to Figure 15.*

An ENCLOSURE, other than an APPLIED PART, made of insulating material is placed in any position of NORMAL USE upon a flat metal surface connected to earth with dimensions at least equal to the plan-projection of the ENCLOSURE.

- b) * *ME EQUIPMENT with an F-TYPE APPLIED PART is additionally tested according to Figure 16.*

SIGNAL INPUT/OUTPUT PARTS are connected to earth, if not already permanently earthed in the ME EQUIPMENT.

The value of the voltage to be set at the transformer T_2 in Figure 16 is equal to 110 % of the MAXIMUM MAINS VOLTAGE.

For this measurement, non-PROTECTIVELY EARTHED metal ACCESSIBLE PARTS including PATIENT CONNECTIONS of other APPLIED PARTS (if present) are connected to earth.

- c) * *ME EQUIPMENT with an APPLIED PART and a SIGNAL INPUT/OUTPUT PART is, when required (see 8.1 a)), additionally tested according to Figure 17.*

The value of the voltage set at the transformer T_2 is equal to 110 % of the MAXIMUM MAINS VOLTAGE. The specific pin configuration used when applying the external voltage is to be worst case based on testing or circuit analysis.

- d) * *ME EQUIPMENT with a PATIENT CONNECTION of a TYPE B APPLIED PART that is not PROTECTIVELY EARTHED or a TYPE BF APPLIED PART and with metal ACCESSIBLE PARTS that are not PROTECTIVELY EARTHED is additionally tested according to Figure 18.*

The value of the voltage set at the transformer T_2 is equal to 110 % of the MAXIMUM MAINS VOLTAGE.

This test need not be conducted if it can be demonstrated that there is adequate separation of the parts involved.

- e) *An APPLIED PART consisting of a surface made of insulating material is tested using metal foil as mentioned under 8.7.4.6. Alternatively a 0,9 % saline solution is used in which the APPLIED PART is immersed.*

Where the surface of the APPLIED PART intended to contact the PATIENT is considerably larger than that of a foil of 20 cm x 10 cm, the size of the foil is increased to correspond to the area of contact.

Such metal foil or saline solution is considered as the only PATIENT CONNECTION for the APPLIED PART concerned.

f) *Where the PATIENT CONNECTION is formed by a fluid which contacts the PATIENT, the fluid is replaced by 0,9 % saline solution, an electrode is placed in the saline solution and this electrode is considered as the PATIENT CONNECTION for the APPLIED PART concerned.*

g) *The PATIENT LEAKAGE CURRENT is measured (see also Annex E):*

- *for TYPE B APPLIED PARTS and TYPE BF APPLIED PARTS, from and to all PATIENT CONNECTIONS of a single function either connected directly together or loaded as in NORMAL USE;*
- *in TYPE CF APPLIED PARTS, from and to every PATIENT CONNECTION in turn.*

If the instructions for use specifies alternatives for a detachable part of the APPLIED PART (for example, PATIENT leads and electrodes), the PATIENT LEAKAGE CURRENT measurements are made with the least favourable specified detachable part. See also 7.9.2.14.

h) * *The total PATIENT LEAKAGE CURRENT is measured from and to all PATIENT CONNECTIONS of all APPLIED PARTS of the same type (TYPE B APPLIED PARTS, TYPE BF APPLIED PARTS or TYPE CF APPLIED PARTS) connected together. See Figure 20. If necessary, a functional earth may be disconnected before conducting this test.*

NOTE Measurement of total PATIENT LEAKAGE CURRENT of TYPE B APPLIED PARTS is only necessary if there are two or more PATIENT CONNECTION that belong to different functions and that are not electrically connected directly together.

i) *If the PATIENT CONNECTIONS of the APPLIED PART are loaded in NORMAL USE, the measuring device is connected to each PATIENT CONNECTION in turn.*

8.7.4.8 Measurement of the PATIENT AUXILIARY CURRENT

ME EQUIPMENT with an APPLIED PART is tested according to Figure 19, using an appropriate measuring supply circuit unless the ME EQUIPMENT has only a single PATIENT CONNECTION.

The PATIENT AUXILIARY CURRENT is measured between any single PATIENT CONNECTION and all other PATIENT CONNECTIONS, either connected directly together or loaded as in NORMAL USE (see also Annex E).

8.7.4.9 * ME EQUIPMENT with multiple PATIENT CONNECTIONS

ME EQUIPMENT with multiple PATIENT CONNECTIONS is investigated to ensure that the PATIENT LEAKAGE CURRENT and the PATIENT AUXILIARY CURRENT do not exceed the allowable values for NORMAL CONDITION while one or more PATIENT CONNECTIONS are:

- disconnected from the PATIENT; and
- disconnected from the PATIENT and earthed.

Testing is performed if an examination of the ME EQUIPMENT circuit indicates that the PATIENT LEAKAGE CURRENT or the PATIENT AUXILIARY CURRENT can increase to excessive levels under the above conditions. Actual measurements should be limited to a representative number of combinations.

8.8 Insulation

8.8.1 * General

Only the following insulation shall be subject to testing:

- insulation that is relied upon as a MEANS OF PROTECTION, including REINFORCED INSULATION;
- insulation between parts of opposite polarity of the MAINS PART on the SUPPLY MAINS side of any mains fuse or OVER-CURRENT RELEASE, which shall be tested as one MEANS OF PROTECTION.

Insulation forming part of a component is exempt provided that the component complies with 4.8.

Insulation forming MEANS OF OPERATOR PROTECTION is exempt from the tests of 8.8 if it complies with the requirements and tests of IEC 60950-1 for INSULATION CO-ORDINATION.

8.8.2 * Distance through solid insulation or use of thin sheet material

Solid insulation which forms SUPPLEMENTARY INSULATION or REINFORCED INSULATION for a PEAK WORKING VOLTAGE greater than 71 V shall either:

- a) have a distance through insulation of at least 0,4 mm, or
- b) not form part of an ENCLOSURE and not be subject to handling or abrasion during NORMAL USE, and comprise:
 - at least two layers of material, each of which will pass the appropriate dielectric strength test; or
 - three layers of material, for which all combinations of two layers together will pass the appropriate dielectric strength test.

The appropriate dielectric strength test for the one or two layers is the test for one MEANS OF PROTECTION in the case of SUPPLEMENTARY INSULATION or the test for two MEANS OF PROTECTION in the case of REINFORCED INSULATION, respectively.

NOTE 1 There is no minimum thickness requirement for BASIC INSULATION, nor for insulation operating at WORKING VOLTAGE up to 71 V.

NOTE 2 There is no requirement for all layers of insulation to be of the same material.

Compliance is checked by inspection, by measurement of thickness and by the dielectric strength test of 8.8.3.

For wound components, where BASIC INSULATION, SUPPLEMENTARY INSULATION or REINFORCED INSULATION is required between windings, they shall be separated by interleaved insulation complying with a) or b) immediately above, or both, unless one of the following wire constructions is used:

- c) wire that has solid insulation, other than solvent based enamel, complying with a) above;
- d) wire that has multi-layer extruded or spirally wrapped insulation (where the layers can be individually tested for dielectric strength) complying with b) above and passes the tests of Annex L;
- e) wire that has multi-layer extruded or spirally wrapped insulation (where only the finished wire can be tested) and passes the tests of Annex L. The minimum number of constructional layers applied to the conductor shall be as follows:

- BASIC INSULATION: two wrapped layers or one extruded layer;
- SUPPLEMENTARY INSULATION: two layers, wrapped or extruded;
- REINFORCED INSULATION: three layers, wrapped or extruded.

In both d) and e), for spirally wrapped insulation where the CREEPAGE DISTANCES between layers, as wrapped, are less than those given in Table 12 or Table 16 (for Pollution Degree 1) depending on the type of insulation in question, the path between layers shall be sealed as for a cemented joint in 8.9.3.3 and the test voltages of the TYPE TESTS in L.3 are increased to 1,6 times their normal values.

NOTE 3 One layer of material wound with more than 50 % overlap is considered to constitute two layers.

Where two insulated wires or one bare and one insulated wire are in contact inside the wound component, crossing each other at an angle between 45° and 90° and subject to winding tension, protection against mechanical stress shall be provided. This protection can be achieved, for example, by providing physical separation in the form of insulating sleeving or sheet material, or by using double the required number of insulation layers.

The finished component shall pass routine tests for dielectric strength using the appropriate test voltages in 8.8.3.

Compliance is checked by inspection and measurement and, if applicable, as specified in Annex L. However, the tests of Annex L are not repeated if the material data sheets confirm compliance.

8.8.3 * Dielectric strength

The dielectric strength of solid electrical insulation of ME EQUIPMENT shall be capable of withstanding the test voltages as specified in Table 6. Only insulation with a safety function need be subject to testing (see 8.8.1).

Compliance is checked by applying the test voltage specified in Table 6 for 1 min:

- *immediately after the humidity preconditioning treatment (as described in 5.7) with the ME EQUIPMENT de-energized during the test, and*
- *after any required sterilization PROCEDURE (see 11.6.7, 7.9.2.12 and the instructions for use) with the ME EQUIPMENT de-energized, and*
- *after reaching a temperature equivalent to the steady state operating temperature reached during the heating test of 11.1.1.*

Initially, not more than half the test voltage is applied, and then it is gradually raised over a period of 10 s to the full value, which is maintained for 1 min, after which it is gradually lowered over a period of 10 s to less than half the full value.

The test conditions are as follows:

- a) * *The test voltage has a waveform and frequency such that the dielectric stress on the insulation is at least equal to that occurring in NORMAL USE. The waveform and frequency of the test voltage can differ from the voltage applied in NORMAL USE if it can be demonstrated that the dielectric stress on the insulation tested will not be diminished.*

Where the voltage to which the relevant insulation is subjected in NORMAL USE is non-sinusoidal a.c., the test may be performed using a sinusoidal 50 Hz or 60 Hz test voltage.

Alternatively, a d.c. test voltage equal to the peak value of the a.c. test voltage may be used.

The test voltage, for the WORKING VOLTAGE to which the insulation is subjected is greater than or equal to the value specified in Table 6.

- b) *During the test, breakdown constitutes a failure. Insulation breakdown is considered to have occurred when the current which flows as a result of the application of the test voltage rapidly increases in an uncontrolled manner, that is, the insulation does not restrict the flow of the current. Corona discharge or a single momentary flashover is not regarded as insulation breakdown.*
- c) *If it is not possible to test individual solid insulations, it is then necessary to test a large part of the ME EQUIPMENT or even the whole ME EQUIPMENT. In this case, it is important not to overstress different types and levels of insulation and the following must be taken into account.*
- Where an ENCLOSURE or part of ENCLOSURE consists of non-conductive surfaces, metal foil is applied. Care is taken that the metal foil is positioned in such a manner that flashover does not occur at the edges of insulation linings. If applicable, the metal foil is moved so as to test all parts of the surface.*
 - The circuits on either side of the insulation under test should be connected or short circuited such that components within these circuits do not get stressed during the test. For example, the terminals of the MAINS PART, the SIGNAL INPUT/OUTPUT PART and the PATIENT CONNECTION(S) (if applicable) respectively are short circuited during the test.*
 - Where there are capacitors across the insulation under test (e.g. radio-frequency filter capacitors), they may be disconnected during the test, if they are certified to IEC 60384-14.*

Table 6 – Test voltages for solid insulation forming a MEANS OF PROTECTION

PEAK WORKING VOLTAGE (U) V peak	PEAK WORKING VOLTAGE (U) V d.c.	A.C. test voltages in V r.m.s.							
		MEANS OF OPERATOR PROTECTION				MEANS OF PATIENT PROTECTION			
		Protection from MAINS PART		Protection from SECONDARY CIRCUITS		Protection from MAINS PART		Protection from SECONDARY CIRCUITS	
		One MOOP	Two MOOP	One MOOP	Two MOOP	One MOPP	Two MOPP	One MOPP	Two MOPP
$U < 42,4$	$U < 60$	1 000	2 000	No test	No test	1 500	3 000	500	1 000
$42,4 < U \leq 71$	$60 < U \leq 71$	1 000	2 000	See Table 7	See Table 7	1 500	3 000	750	1 500
$71 < U \leq 184$	$71 < U \leq 184$	1 000	2 000	See Table 7	See Table 7	1 500	3 000	1 000	2 000
$184 < U \leq 212$	$184 < U \leq 212$	1 500	3 000	See Table 7	See Table 7	1 500	3 000	1 000	2 000
$212 < U \leq 354$	$212 < U \leq 354$	1 500	3 000	See Table 7	See Table 7	1 500	4 000	1 500	3 000
$354 < U \leq 848$	$354 < U \leq 848$	See Table 7	3 000	See Table 7	See Table 7	$\sqrt{2}U + 1\,000$	$2 \times (\sqrt{2}U + 1\,500)$	$\sqrt{2}U + 1\,000$	$2 \times (\sqrt{2}U + 1\,500)$
$848 < U \leq 1\,414$	$848 < U \leq 1\,414$	See Table 7	3 000	See Table 7	See Table 7	$\sqrt{2}U + 1\,000$	$2 \times (\sqrt{2}U + 1\,500)$	$\sqrt{2}U + 1\,000$	$2 \times (\sqrt{2}U + 1\,500)$
$1\,414 < U \leq 10\,000$	$1\,414 < U \leq 10\,000$	See Table 7	See Table 7	See Table 7	See Table 7	$U/\sqrt{2} + 2\,000$	$\sqrt{2}U + 5\,000$	$U/\sqrt{2} + 2\,000$	$\sqrt{2}U + 5\,000$
$10\,000 < U \leq 14\,140$	$10\,000 < U \leq 14\,140$	$1,06 \times U/\sqrt{2}$	$1,06 \times U/\sqrt{2}$	$1,06 \times U/\sqrt{2}$	$1,06 \times U/\sqrt{2}$	$U/\sqrt{2} + 2\,000$	$\sqrt{2}U + 5\,000$	$U/\sqrt{2} + 2\,000$	$\sqrt{2}U + 5\,000$
$U > 14\,140$	$U > 14\,140$	If necessary, to be prescribed by particular standards							

Table 7 – Test voltages for MEANS OF OPERATOR PROTECTION

Test voltage in V r.m.s.

PEAK WORKING VOLTAGE (U) V peak or V d.c.			PEAK WORKING VOLTAGE (U) V peak or V d.c.			PEAK WORKING VOLTAGE (U) V peak or V d.c.		
	One MOOP	Two MOOP		One MOOP	Two MOOP		One MOOP	Two MOOP
34	500	800	250	1 261	2 018	1 750	3 257	3 257
35	507	811	260	1 285	2 055	1 800	3 320	3 320
36	513	821	270	1 307	2 092	1 900	3 444	3 444
38	526	842	280	1 330	2 127	2 000	3 566	3 566
40	539	863	290	1 351	2 162	2 100	3 685	3 685
42	551	882	300	1 373	2 196	2 200	3 803	3 803
44	564	902	310	1 394	2 230	2 300	3 920	3 920
46	575	920	320	1 414	2 263	2 400	4 034	4 034
48	587	939	330	1 435	2 296	2 500	4 147	4 147
50	598	957	340	1 455	2 328	2 600	4 259	4 259
52	609	974	350	1 474	2 359	2 700	4 369	4 369
54	620	991	360	1 494	2 390	2 800	4 478	4 478
56	630	1 008	380	1 532	2 451	2 900	4 586	4 586
58	641	1 025	400	1 569	2 510	3 000	4 693	4 693
60	651	1 041	420	1 605	2 567	3 100	4 798	4 798
62	661	1 057	440	1 640	2 623	3 200	4 902	4 902
64	670	1 073	460	1 674	2 678	3 300	5 006	5 006
66	680	1 088	480	1 707	2 731	3 400	5 108	5 108
68	690	1 103	500	1 740	2 784	3 500	5 209	5 209
70	699	1 118	520	1 772	2 835	3 600	5 309	5 309
72	708	1 133	540	1 803	2 885	3 800	5 507	5 507
74	717	1 147	560	1 834	2 934	4 000	5 702	5 702
76	726	1 162	580	1 864	2 982	4 200	5 894	5 894
78	735	1 176	588	1 875	3 000	4 400	6 082	6 082
80	744	1 190	600	1 893	3 000	4 600	6 268	6 268
85	765	1 224	620	1 922	3 000	4 800	6 452	6 452
90	785	1 257	640	1 951	3 000	5 000	6 633	6 633
95	805	1 288	660	1 979	3 000	5 200	6 811	6 811
100	825	1 319	680	2 006	3 000	5 400	6 987	6 987
105	844	1 350	700	2 034	3 000	5 600	7 162	7 162
110	862	1 379	720	2 060	3 000	5 800	7 334	7 334
115	880	1 408	740	2 087	3 000	6 000	7 504	7 504
120	897	1 436	760	2 113	3 000	6 200	7 673	7 673
125	915	1 463	780	2 138	3 000	6 400	7 840	7 840
130	931	1 490	800	2 164	3 000	6 600	8 005	8 005
135	948	1 517	850	2 225	3 000	6 800	8 168	8 168
140	964	1 542	900	2 285	3 000	7 000	8 330	8 330
145	980	1 568	950	2 343	3 000	7 200	8 491	8 491
150	995	1 593	1 000	2 399	3 000	7 400	8 650	8 650
152	1 000	1 600	1 050	2 454	3 000	7 600	8 807	8 807
155	1 000	1 617	1 100	2 508	3 000	7 800	8 964	8 964
160	1 000	1 641	1 150	2 560	3 000	8 000	9 119	9 119
165	1 000	1 664	1 200	2 611	3 000	8 200	9 273	9 273
170	1 000	1 688	1 250	2 661	3 000	8 400	9 425	9 425
175	1 000	1 711	1 300	2 710	3 000	8 600	9 577	9 577
180	1 000	1 733	1 350	2 758	3 000	8 800	9 727	9 727
184	1 000	1 751	1 400	2 805	3 000	9 000	9 876	9 876
185	1 097	1 755	1 410	2 814	3 000	9 200	10 024	10 024
190	1 111	1 777	1 450	2 868	3 000	9 400	10 171	10 171
200	1 137	1 820	1 500	2 934	3 000	9 600	10 317	10 317
210	1 163	1 861	1 550	3 000	3 000	9 800	10 463	10 463
220	1 189	1 902	1 600	3 065	3 065	10 000	10 607	10 607
230	1 214	1 942	1 650	3 130	3 130			
240	1 238	1 980	1 700	3 194	3 194			

8.8.4 Insulation other than wire insulation

8.8.4.1 * Mechanical strength and resistance to heat

The resistance to heat shall be retained by all types of insulation, including insulating partition walls, during the EXPECTED SERVICE LIFE of the ME EQUIPMENT.

Compliance is checked by inspection of the ME EQUIPMENT and the RISK MANAGEMENT FILE and, if necessary, in conjunction with the following tests:

- *resistance to moisture, etc. (see 11.6);*
- *dielectric strength (see 8.8.3);*
- *mechanical strength (see 15.3).*

Resistance to heat is established by the following tests, which need not be performed if satisfactory evidence of compliance is provided.

- a) *For parts of the ENCLOSURE and other external insulating parts, the deterioration of which could result in an unacceptable RISK, by the ball-pressure test:*

ENCLOSURES and other external parts of insulating material, except the insulation of flexible cords and parts of ceramic material, are subjected to a ball-pressure test using the test apparatus shown in Figure 21. The surface of the part to be tested is placed in the horizontal position and a steel ball of 5 mm diameter is pressed against the surface with a force of 20 N. The test is performed in a heating cabinet at a temperature of $75\text{ °C} \pm 2\text{ °C}$ or the ambient temperature indicated in the technical description (see 7.9.3.1) $\pm 2\text{ °C}$ plus the temperature rise of the relevant part of insulating material measured during the test of 11.1, whichever is the higher.

The ball is withdrawn after 1 h and the diameter of the impression made by the ball is measured. An impression greater than 2 mm in diameter constitutes a failure.

- b) *For parts of insulating material that support uninsulated parts of the MAINS PART, the deterioration of which could influence the safety of the ME EQUIPMENT, by the ball-pressure test:*

A test is performed as described in a) above, but at a temperature of $125\text{ °C} \pm 2\text{ °C}$ or at the ambient temperature indicated in the technical description (see 7.9.3.1) $\pm 2\text{ °C}$ plus the temperature rise that was determined during the test of 11.1 of the relevant part, whichever is the higher.

The test is not performed on parts of ceramic material, insulating parts of commutators, brush-caps and the like, and on coil formers not used as REINFORCED INSULATION.

NOTE For SUPPLEMENTARY INSULATION and REINFORCED INSULATION of thermoplastic materials, see also 13.1.2.

8.8.4.2 Resistance to environmental stress

The insulating characteristics and mechanical strength of any MEANS OF PROTECTION shall be so designed or protected that it is not likely to be impaired by environmental stresses including deposition of dirt or by dust resulting from wear of parts within the ME EQUIPMENT to such an extent that CREEPAGE DISTANCES and AIR CLEARANCES are reduced below the values specified in 8.9.

Ceramic material not tightly sintered, and the like, and beads alone shall not be used as SUPPLEMENTARY INSULATION or REINFORCED INSULATION.

Insulating material in which heating conductors are embedded may be considered as one MEANS OF PROTECTION but shall not be used as two MEANS OF PROTECTION.

Compliance is checked by inspection, by measurement and for natural latex rubber by the following test:

Parts of natural latex rubber are aged in an atmosphere of oxygen under pressure. The samples are suspended freely in an oxygen cylinder, the effective capacity of the cylinder is at least 10 times the volume of the samples. The cylinder is filled with commercial oxygen not less than 97 % pure, to a pressure of 2,1 MPa ± 70 kPa.

The samples are kept in the cylinder at a temperature of 70 °C ± 2 °C for 96 h. Immediately afterwards, they are taken out of the cylinder and left at room temperature for at least 16 h. After the test, the samples are examined. Cracks visible to the naked eye constitute a failure.

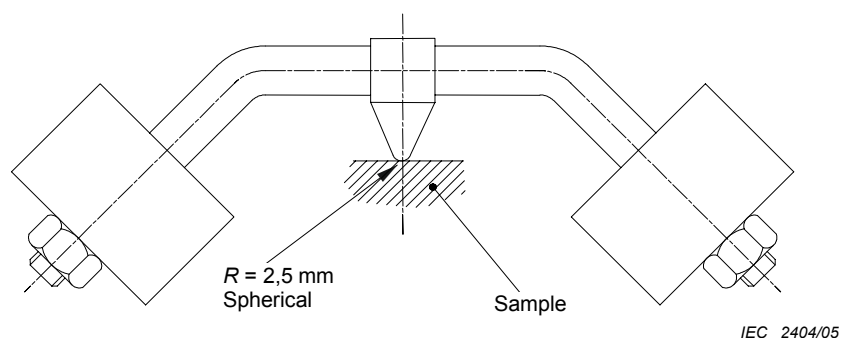


Figure 21 – Ball-pressure test apparatus
(see 8.8.4.1)

8.9 * CREEPAGE DISTANCES and AIR CLEARANCES

8.9.1 * Values

8.9.1.1 General

CREEPAGE DISTANCES and AIR CLEARANCES of ME EQUIPMENT shall be equal to or greater than the values of Table 11 to Table 16 (inclusive) except as specified in 8.9.1.2 to 8.9.1.15. See also 8.9.2 to 8.9.4.

8.9.1.2 CREEPAGE DISTANCES and AIR CLEARANCES complying with IEC 60950-1

The values of Table 11 to Table 16 (inclusive) do not apply to CREEPAGE DISTANCES and AIR CLEARANCES forming MEANS OF OPERATOR PROTECTION that comply with the requirements of IEC 60950-1 for INSULATION CO-ORDINATION and are used in the conditions (e.g. overvoltage category, pollution degree) under which compliance was tested.

8.9.1.3 CREEPAGE DISTANCES across glass, mica, ceramic and similar materials

For CREEPAGE DISTANCES across glass, mica, ceramic and other inorganic insulating materials with similar tracking characteristics, the specified minimum value of AIR CLEARANCE shall be applied as the minimum CREEPAGE DISTANCE.

8.9.1.4 Minimum CREEPAGE DISTANCE

If the minimum CREEPAGE DISTANCE derived from Table 11 to Table 16 (inclusive) is less than the applicable minimum AIR CLEARANCE, that value of minimum AIR CLEARANCE shall be applied as the minimum CREEPAGE DISTANCE.

8.9.1.5 ME EQUIPMENT RATED for high altitudes

Unless otherwise declared by the MANUFACTURER, ME EQUIPMENT is RATED to operate at an altitude $\leq 2\,000$ m. Where ME EQUIPMENT is intended to be operated in a pressurized environment, e.g. aircraft, the operating altitude corresponding to the air pressure concerned shall be used in determining multiplication factor from Table 8. The AIR CLEARANCE is then multiplied by this factor. CREEPAGE DISTANCES are not subject to the multiplication factors but shall always be at least as large as the resulting value for AIR CLEARANCE.

**Table 8 – Multiplication factors for AIR CLEARANCES
for altitudes up to 5 000 m**

RATED operating altitude (<i>a</i>) m	Normal barometric pressure kPa	Multiplication factor for MOOP	Multiplication factor for MOPP
$a \leq 2\,000$	80,0	1,00	1,00
$2\,000 < a \leq 3\,000$	70,0	1,14	1,00
$3\,000 < a \leq 4\,000$	62,0	1,29	1,14
$4\,000 < a \leq 5\,000$	54,0	1,48	1,29

NOTE 1 The multiplication factors for MEANS OF OPERATOR PROTECTION relate to IEC 60950-1, which specifies AIR CLEARANCES for altitudes up to 2 000 m.

NOTE 2 The multiplication factors for MEANS OF PATIENT PROTECTION relate to the second edition of IEC 60601-1, which specified spacing AIR CLEARANCES for altitudes up to 3 000 m.

NOTE 3 The multiplication factors for MOOPS (column 3) are derived from IEC 60664-1:1992 as amended.

8.9.1.6 * Interpolation

If the WORKING VOLTAGE has a value between those given in Table 11 to Table 16 (inclusive):

- for determining CREEPAGE DISTANCES, linear interpolation is permitted between the nearest two values, the calculated spacing being rounded to the next higher 0,1 mm increment;
- for determining AIR CLEARANCES for PEAK WORKING VOLTAGES above 2 800 V peak or d.c., linear interpolation is permitted between the nearest two values, the calculated spacing being rounded to the next higher 0,1 mm increment;
- for determining AIR CLEARANCES for PEAK WORKING VOLTAGE up to 2 800 V peak or d.c., the higher of the two values shall be applied.

8.9.1.7 Material groups classification

Material groups are classified as shown in Table 9.

Table 9 – Material group classification

Material group	Comparative tracking index (CTI)
I	$600 \leq \text{CTI}$
II	$400 \leq \text{CTI} < 600$
IIIa	$175 \leq \text{CTI} < 400$
IIIb	$100 \leq \text{CTI} < 175$

The material group is verified by evaluation of the test data for the material according to IEC 60112 using 50 drops of solution A.

If the material group is not known, material group IIIb shall be assumed.

8.9.1.8 Pollution degree classification

Pollution degrees are classified as follows:

- Pollution degree 1 is used to describe a micro-environment that is sealed so as to exclude dust and moisture.
NOTE 1 An example of such a micro-environment is a sealed or potted component or assembly.
- Pollution degree 2 is used to describe a micro-environment where only non-conductive pollution occurs except that occasionally a temporary conductivity caused by condensation is to be expected.
- Pollution degree 3 is used to describe a micro-environment that is subject to conductive pollution, or to dry non-conductive pollution that could become conductive due to expected condensation.
- Pollution degree 4 is used to describe a micro-environment where continuous conductivity occurs due to conductive dust, rain or other wet conditions.

NOTE 2 This type of environment can occur inside commutating motors which generate carbon dust from the brushes.

Pollution degree 4 is not acceptable for insulation providing a MEANS OF PROTECTION. However, in the case where insulation between the MAINS PART and earth might be compromised, it is necessary to provide measures, such as planned maintenance, to ensure that the micro-environment is mitigated to a lower pollution degree.

8.9.1.9 Overvoltage category classification

The applicable value of the MAINS TRANSIENT VOLTAGE shall be determined from the overvoltage category according to IEC 60664-1 and the NOMINAL a.c. MAINS VOLTAGE using Table 10.

8.9.1.10 AIR CLEARANCE for MAINS PARTS

For MAINS PARTS operating on RATED MAINS VOLTAGES up to 300 V, the required AIR CLEARANCE shall be the value in Table 13 for the r.m.s. or d.c. RATED MAINS VOLTAGE plus the additional AIR CLEARANCE in Table 14 for the PEAK WORKING VOLTAGE.

8.9.1.11 SUPPLY MAINS overvoltage

This standard relates to overvoltage category II according to IEC 60664-1. If ME EQUIPMENT is intended to be used in locations where the SUPPLY MAINS is overvoltage category III, the values specified in Table 13 to Table 15 (inclusive) will be inadequate for clearance. Therefore the values given in the next MAINS TRANSIENT VOLTAGE column upwards shall be used. Whilst it is not envisaged that PATIENT protection (Table 12) will be required for use of ME EQUIPMENT on overvoltage category III SUPPLY MAINS, should this be necessary, guidance is given on the values required in the rationale for Subclause 8.9.

Table 10 – MAINS TRANSIENT VOLTAGE

NOMINAL a.c. SUPPLY MAINS voltage line-to-neutral up to and including V r.m.s.	MAINS TRANSIENT VOLTAGE V peak			
	Overvoltage Category			
	I	II	III	IV
50	330	500	800	1 500
100	500	800	1 500	2 500
150 ^a	800	1 500	2 500	4 000
300 ^b	1 500	2 500	4 000	6 000
600 ^c	2 500	4 000	6 000	8 000
NOTE 1 In Norway, due to the IT power distribution system used, the a.c. SUPPLY MAINS voltage is considered to be equal to the line-to-line voltage, and will remain 230 V in case of a single earth fault.				
NOTE 2 In Japan, the value of the MAINS TRANSIENT VOLTAGES for the NOMINAL a.c. SUPPLY MAINS voltage of 100 V is determined from columns applicable to the NOMINAL a.c. SUPPLY MAINS voltage of 150 V.				
^a Including 120/208 or 120/240 V.				
^b Including 230/400 or 277/480 V.				
^c Including 400/690 V.				

8.9.1.12 SECONDARY CIRCUITS

A SECONDARY CIRCUIT derived from a SUPPLY MAINS will normally be overvoltage category I according to IEC 60664-1 if the MAINS PART is overvoltage category II; the maximum transients for various SUPPLY MAINS voltages in overvoltage category I are shown in the column headings of Table 15.

Where the SECONDARY CIRCUIT is earthed or the ME EQUIPMENT is INTERNALLY POWERED, Table 15 applies.

Where a SECONDARY CIRCUIT is not earthed and is derived from a SUPPLY MAINS, the circuit shall be subjected to the requirements for primary circuits in Table 13 and Table 14.

If the SECONDARY CIRCUIT is separated from the MAINS PART by a functionally earthed or PROTECTIVELY EARTHED metal screen or transients in the SECONDARY CIRCUIT are below the levels expected for overvoltage category I, (for example due to being attenuated by connecting a component, such as a capacitor, between the SECONDARY CIRCUIT and earth), the values in Table 15 apply.

The column for circuits not subject to transient overvoltages applies to:

- d.c. SECONDARY CIRCUITS that are reliably connected to earth and have capacitive filtering which limits the peak-to-peak ripple to 10 % of the d.c. voltage; and
- circuits in INTERNALLY POWERED ME EQUIPMENT.

8.9.1.13 PEAK WORKING VOLTAGES above 1 400 V peak or d.c.

The values in Table 15 for PEAK WORKING VOLTAGES above 1 400 V peak or d.c. do not apply if all the following conditions are satisfied:

- the AIR CLEARANCE is at least 5 mm;
- the insulation involved passes a dielectric strength test according to 8.8.3 using:
 - an a.c. test voltage whose r.m.s. value is equal to 1,06 times the PEAK WORKING VOLTAGE or
 - a d.c. test voltage equal to the peak value of the a.c. test voltage prescribed above;and
- the AIR CLEARANCE path is partly or entirely through air or along the surface of an insulating material of material group I.

If the AIR CLEARANCE path is also partly along the surface of a material that is not material group I, the dielectric strength test is conducted only across the part(s) of the path that are through air.

8.9.1.14 Minimum CREEPAGE DISTANCES for two MEANS OF OPERATOR PROTECTION

Minimum CREEPAGE DISTANCES for two MEANS OF OPERATOR PROTECTION are obtained by doubling the values shown in Table 16 for one MEANS OF OPERATOR PROTECTION.

8.9.1.15 * CREEPAGE DISTANCES and AIR CLEARANCES for DEFIBRILLATION-PROOF APPLIED PARTS

CREEPAGE DISTANCES and AIR CLEARANCES needed to satisfy 8.5.5.1 for DEFIBRILLATION-PROOF APPLIED PARTS shall not be less than 4 mm.

NOTE In Table 11 and Table 12, which detail the spacing for PATIENT protection, the CREEPAGE DISTANCE and AIR CLEARANCE are both related to r.m.s. or d.c. WORKING VOLTAGES. In Table 13, Table 14 and Table 15, which detail the spacing for OPERATOR protection, the clearance is related to peak or d.c. WORKING VOLTAGE and the CREEPAGE DISTANCE is related to r.m.s. or d.c. WORKING VOLTAGE.

Table 11 – Minimum CREEPAGE DISTANCES and AIR CLEARANCES between parts of opposite polarity of the MAINS PART

WORKING VOLTAGE V d.c. up to and including	WORKING VOLTAGE V r.m.s. up to and including	CREEPAGE DISTANCE mm	AIR CLEARANCE mm
17	12	0,8	0,4
43	30	1	0,5
85	60	1,3	0,7
177	125	2	1
354	250	3	1,6
566	400	4	2,4
707	500	5,5	3
934	660	7	4
1 061	750	8	4,5
1 414	1 000	11	6

**Table 12 – Minimum CREEPAGE DISTANCES and AIR CLEARANCES providing
MEANS OF PATIENT PROTECTION**

WORKING VOLTAGE V d.c. up to and including	WORKING VOLTAGE V r.m.s. up to and including	Spacing providing one MEANS OF PATIENT PROTECTION		Spacing providing two MEANS OF PATIENT PROTECTION	
		CREEPAGE DISTANCE mm	AIR CLEARANCE mm	CREEPAGE DISTANCE mm	AIR CLEARANCE mm
17	12	1,7	0,8	3,4	1,6
43	30	2	1	4	2
85	60	2,3	1,2	4,6	2,4
177	125	3	1,6	6	3,2
354	250	4	2,5	8	5
566	400	6	3,5	12	7
707	500	8	4,5	16	9
934	660	10,5	6	21	12
1 061	750	12	6,5	24	13
1 414	1 000	16	9	32	18
1 768	1 250	20	11,4	40	22,8
2 263	1 600	25	14,3	50	28,6
2 828	2 000	32	18,3	64	36,6
3 535	2 500	40	22,9	80	45,8
4 525	3 200	50	28,6	100	57,2
5 656	4 000	63	36,0	126	72,0
7 070	5 000	80	45,7	160	91,4
8 909	6 300	100	57,1	200	114,2
11 312	8 000	125	71,4	250	142,8
14 140	10 000	160	91,4	320	182,8

Table 13 – Minimum AIR CLEARANCES providing MEANS OF OPERATOR PROTECTION from the MAINS PART

AIR CLEARANCE in mm

WORKING VOLTAGE up to and including		NOMINAL MAINS VOLTAGE ≤ 150 V (MAINS TRANSIENT VOLTAGE 1 500 V)				150 V < NOMINAL MAINS VOLTAGE ≤ 300 V (MAINS TRANSIENT VOLTAGE 2 500 V)		300 V < NOMINAL MAINS VOLTAGE ≤ 600 V (MAINS TRANSIENT VOLTAGE 4 000V)	
Voltage peak or d.c.	Voltage r.m.s (sinusoidal)	Pollution degrees 1 and 2		Pollution degree 3		Pollution degrees 1, 2 and 3		Pollution degrees 1, 2 and 3	
		One MOOP	Two MOOP	One MOOP	Two MOOP	One MOOP	Two MOOP	One MOOP	Two MOOP
V	V	One MOOP	Two MOOP	One MOOP	Two MOOP	One MOOP	Two MOOP	One MOOP	Two MOOP
210	150	1,0	2,0	1,3	2,6	2,0	4,0	3,2	6,4
420	300	1 MOOP 2,0 2 MOOP 4,0						3,2	6,4
840	600	1 MOOP 3,2 2 MOOP 6,4							
1 400	1 000	1 MOOP 4,2 2 MOOP 6,4							
2 800	2 000	1 or 2 MOOP 8,4							
7 000	5 000	1 or 2 MOOP 17,5							
9 800	7 000	1 or 2 MOOP 25							
14 000	10 000	1 or 2 MOOP 37							
28 000	20 000	1 or 2 MOOP 80							
AIR CLEARANCES for WORKING VOLTAGES above 20 kV r.m.s. or 28 kV d.c. can be prescribed by particular standards if necessary.									
NOTE AIR CLEARANCES are a function of peak voltage in the circuit. The r.m.s. voltage column is provided for the special case where the voltage has a sinusoidal waveform.									

Table 14 – Additional AIR CLEARANCES for insulation in MAINS PARTS with PEAK WORKING VOLTAGES exceeding the peak value of the NOMINAL MAINS VOLTAGE^a
(see 8.9.1.10)

NOMINAL MAINS VOLTAGE ≤ 150 V r.m.s. or 210 V d.c.		150 V r.m.s. or 210 V dc < NOMINAL MAINS VOLTAGE ≤ 300 V r.m.s. or 420 V d.c.	Additional AIR CLEARANCE mm	
Pollution degrees 1 and 2	Pollution degree 3	Pollution degrees 1, 2 and 3	One MOOP	Two MOOP
PEAK WORKING VOLTAGE V	PEAK WORKING VOLTAGE V	PEAK WORKING VOLTAGE V		
210	210	420	0	0
298	294	493	0,1	0,2
386	379	567	0,2	0,4
474	463	640	0,3	0,6
562	547	713	0,4	0,8
650	632	787	0,5	1,0
738	715	860	0,6	1,2
826	800	933	0,7	1,4
914		1 006	0,8	1,6
1 002		1 080	0,9	1,8
1 090		1 153	1,0	2,0
		1 226	1,1	2,2
		1 300	1,2	2,4

^a When using this table, select the appropriate column for the RATED MAINS VOLTAGE and pollution degree and choose the row in that column which covers the actual PEAK WORKING VOLTAGE. Read the additional AIR CLEARANCE required from the relevant right hand column (for one or two MEANS OF OPERATOR PROTECTION and add this to the minimum AIR CLEARANCE from Table 13 to give the total minimum AIR CLEARANCE.

Table 15 – Minimum AIR CLEARANCES for MEANS OF OPERATOR PROTECTION in SECONDARY CIRCUITS
(see 8.9.1.12)

AIR CLEARANCES in mm

WORKING VOLTAGE up to and including		Transient value for SECONDARY CIRCUIT ≤ 800 V (NOMINAL MAINS VOLTAGE ≤ 150 V)				Transient value for SECONDARY CIRCUIT $\leq 1\,500$ V (150 V < NOMINAL MAINS VOLTAGE ≤ 300 V)				Transient value for SECONDARY CIRCUIT $\leq 2\,500$ V (300 V < NOMINAL MAINS VOLTAGE ≤ 600 V)		Circuit not subject to transient overvoltages	
Voltage V peak or V d.c.	Voltage V r.m.s. (sinusoidal)	Pollution degrees 1 and 2		Pollution degree 3		Pollution degrees 1 and 2		Pollution degree 3		Pollution degrees 1, 2 and 3		Pollution degrees 1 and 2 only	
		One MOOP	Two MOOP	One MOOP	Two MOOP	One MOOP	Two MOOP	One MOOP	Two MOOP	One MOOP	Two MOOP	One MOOP	Two MOOP
71	50	0,7	1,4	1,3	2,6	1,0	2,0	1,3	2,6	2,0	4,0	0,4	0,8
140	100	0,7	1,4	1,3	2,6	1,0	2,0	1,3	2,6	2,0	4,0	0,7	1,4
210	150	0,9	1,8	1,3	2,6	1,0	2,0	1,3	2,6	2,0	4,0	0,7	1,4
280	200	One MOOP 1,4; two MOOP 2,8								2,0	4,0	1,1	2,2
420	300	One MOOP 1,9; two MOOP 3,8								2,0	4,0	1,4	2,8
700	500	One MOOP 2,5; two MOOP 5,0											
840	600	One MOOP 3,2; two MOOP 5,0											
1 400	1 000	One MOOP 4,2; two MOOP 5,0											
2 800	2 000	One or two MOOP 8,4, but see 8.9.1.13											
7 000	5 000	One or two MOOP 17,5, but see 8.9.1.13											
9 800	7 000	One or two MOOP 25, but see 8.9.1.13											
14 000	10 000	One or two MOOP 37, but see 8.9.1.13											
28 000	20 000	One or two MOOP 80, but see 8.9.1.13											
42 000	30 000	One or two MOOP 130, but see 8.9.1.13											

NOTE AIR CLEARANCES are a function of peak voltage in the circuit. The r.m.s voltage column is provided for the special case where the voltage has a sinusoidal waveform.

Table 16 – Minimum CREEPAGE DISTANCES providing MEANS OF OPERATOR PROTECTION ^a

CREEPAGE DISTANCE in mm

WORKING VOLTAGE V r.m.s or d.c.	Spacing for one MEANS OF OPERATOR PROTECTION						
	Pollution degree 1	Pollution degree 2			Pollution degree 3		
	Material group	Material group			Material group		
	I, II, IIIa, IIIb	I	II	IIIa or IIIb	I	II	IIIa or IIIb
50		0,6	0,9	1,2	1,5	1,7	1,9
100		0,7	1,0	1,4	1,8	2,0	2,2
125		0,8	1,1	1,5	1,9	2,1	2,4
150		0,8	1,1	1,6	2,0	2,2	2,5
200	Use the AIR CLEARANCE from the appropriate table	1,0	1,4	2,0	2,5	2,8	3,2
250		1,3	1,8	2,5	3,2	3,6	4,0
300		1,6	2,2	3,2	4,0	4,5	5,0
400		2,0	2,8	4,0	5,0	5,6	6,3
600		3,2	4,5	6,3	8,0	9,6	10,0
800		4,0	5,6	8,0	10,0	11,0	12,5
1 000		5,0	7,1	10,0	12,5	14,0	16,0

NOTE Minimum CREEPAGE DISTANCES for two MEANS OF OPERATOR PROTECTION are obtained by doubling the values in this table.

^a CREEPAGE DISTANCES within this table apply to all situations.

8.9.2 * Application

- a) * For insulation in the MAINS PART between parts of opposite polarity, the minimum CREEPAGE DISTANCES and AIR CLEARANCES are not required if short circuiting of each single one of these CREEPAGE DISTANCES and AIR CLEARANCES in turn does not result in a HAZARDOUS SITUATION.
- b) The contribution to the CREEPAGE DISTANCES of any groove or air gap less than 1 mm wide shall be limited to its width (see Figure 23 to Figure 31 [inclusive]).
- c) If AIR CLEARANCE provides a MEANS OF PROTECTION, the relative positioning shall be such that the relevant parts are rigid and located by moulding or the design shall be otherwise such that there is no reduction of a distance below the specified value by deformation or movement of the parts.

Where limited movement of one of the relevant parts is normal or likely, this shall be taken into account when computing the minimum AIR CLEARANCE.

8.9.3 * Spaces filled by insulating compound**8.9.3.1 General**

Where distances between conductive parts are filled with insulating compound, including where insulation is reliably cemented together with insulating compound, so that AIR CLEARANCES and CREEPAGE DISTANCES do not exist, only the requirements for solid insulation apply.

NOTE Examples of such treatment include potting, encapsulation and vacuum impregnation, components or subassemblies that are treated with an insulating compound that fills voids; and internal insulation between adjacent tracks on one layer of a multi-layer printed board.

Compliance is checked by inspection, measurement and test of samples. Requirements for CREEPAGE DISTANCES and AIR CLEARANCES do not apply if samples pass the thermal cycling, humidity preconditioning and dielectric strength tests specified in either 8.9.3.2 and 8.9.3.4 or 8.9.3.3 and 8.9.3.4.

8.9.3.2 Insulating compound forming solid insulation between conductive parts

For situations where insulating compound forms solid insulation between conductive parts, a single finished sample is tested. The sample is subjected to the thermal cycling PROCEDURE as specified in 8.9.3.4, followed by humidity preconditioning according to 5.7 except for 48 hours only, followed by a dielectric strength test according to 8.8.3 except that the test voltage is multiplied by 1,6. The tests are followed by inspection, including sectioning, and measurement. Cracks or voids in the insulating compound such as would affect the homogeneity of the material constitute a failure.

8.9.3.3 Insulating compound forming a cemented joint with other insulating parts

For situations where insulating compound forms a cemented joint with other insulating parts, the reliability of the joint is checked by testing three samples. If a winding of solvent-based enamelled wire is used, it is replaced for the test by a metal foil or by a few turns of bare wire, placed close to the cemented joint. The three samples are then tested as follows.

- *One of the samples is subjected to the thermal cycling PROCEDURE as specified in 8.9.3.4. Immediately after the last period at highest temperature during thermal cycling it is subjected to a dielectric strength test according to 8.8.3 except that the test voltage is multiplied by 1,6;*
- *The other two samples are subjected to humidity preconditioning according to 5.7 except for 48 hours only, followed by a dielectric strength test according to 8.8.3 except that the test voltage is multiplied by 1,6.*

8.9.3.4 Thermal cycling

The sample is subjected 10 times to the following sequence of temperature cycles:

68 h at $T_1 \pm 2\text{ °C}$;

1 h at $25\text{ °C} \pm 2\text{ °C}$;

2 h at $0\text{ °C} \pm 2\text{ °C}$;

not less than 1 h at $25\text{ °C} \pm 2\text{ °C}$,

where T_1 is the higher of

- *10 °C above the maximum temperature of the relevant part as determined according to 11.1.1; or*
- *85 °C.*

However, the 10 °C margin is not added if the temperature is measured by an embedded thermocouple.

The period of time taken for the transition from one temperature to another is not specified, but the transition is permitted to be gradual.

8.9.4 * Measurement of CREEPAGE DISTANCES AND AIR CLEARANCES

Compliance is checked by measurement taking into account the rules in Figure 22 to Figure 31 (inclusive). In each figure, the dashed line (---) represents AIR CLEARANCE and the shaded bar (▨) represents CREEPAGE DISTANCE.

Any corner with included angle less than 80° is assumed to be bridged with an insulating link of 1 mm moved into the least favourable position (see Figure 25).

Where the distance across the top of a groove is 1 mm or more, no CREEPAGE DISTANCE exists across the air space (see Figure 24).

CREEPAGE DISTANCES and AIR CLEARANCES between parts moving relative to each other are measured with the parts in their least favourable positions.

Computed CREEPAGE DISTANCE is never less than measured AIR CLEARANCE.

Coatings of varnish, enamel or oxide are ignored. Coverings of any insulating material, however, are considered as insulation, if the covering is equivalent to a sheet of insulating material of equal thickness with respect to its electrical, thermal and mechanical properties.

If CREEPAGE DISTANCES or AIR CLEARANCES for one or two MEANS OF PROTECTION are interrupted by one or more floating conductive parts, the minimum values specified in Table 11 to Table 16 (inclusive) apply to the sum of the sections, except that distances less than 1 mm are not taken into consideration.

If there are grooves transverse to the CREEPAGE DISTANCE, the wall of the groove is counted as CREEPAGE DISTANCE only if the width of the groove is more than 1 mm (see Figure 24). In all other cases the groove is neglected.

In the case of a barrier placed on the surface of insulation or held in a recess, the CREEPAGE DISTANCES are measured over the barrier only if the latter is so affixed that dust and moisture cannot penetrate into the joint or recess.

For ME EQUIPMENT provided with an APPLIANCE INLET, the measurements are made with an appropriate connector inserted. For other ME EQUIPMENT incorporating POWER SUPPLY CORDS, they are made with supply conductors of the largest cross-sectional area specified by the MANUFACTURER and also without conductors.

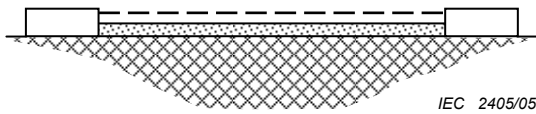
Movable parts are placed in the least favourable position; nuts and screws with non-circular heads are tightened in the least favourable position.

CREEPAGE DISTANCES and AIR CLEARANCES through slots or openings in external parts are measured to the standard test finger of Figure 6. If necessary, a force is applied to any point on bare conductors and to the outside of metal ENCLOSURES in an endeavour to reduce the CREEPAGE DISTANCES and AIR CLEARANCES while taking the measurements.

The force is applied by means of a standard test finger having a tip as shown in Figure 6 and has a value of:

2 N for bare conductors;
30 N for ENCLOSURES.

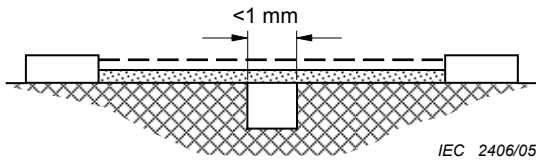
CREEPAGE DISTANCE and AIR CLEARANCES are measured after use of the test hook according to 5.9.2.2, if relevant.



Condition: Path under consideration is a flat surface.

Rule: CREEPAGE DISTANCE and AIR CLEARANCE are measured directly across the surface.

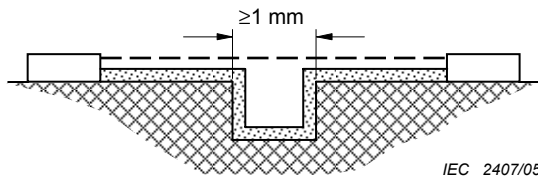
Figure 22 – CREEPAGE DISTANCE and AIR CLEARANCE – Example 1



Condition: Path under consideration includes a parallel- or converging-sided groove of any depth with a width less than 1 mm.

Rule: CREEPAGE DISTANCE and AIR CLEARANCE are measured directly across the groove as shown.

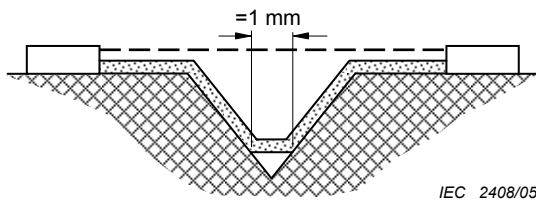
Figure 23 – CREEPAGE DISTANCE and AIR CLEARANCE – Example 2



Condition: Path under consideration includes a parallel-sided groove of any depth and equal to or more than 1 mm.

Rule: AIR CLEARANCE is the "line of sight" distance. CREEPAGE DISTANCE path follows the contour of the groove.

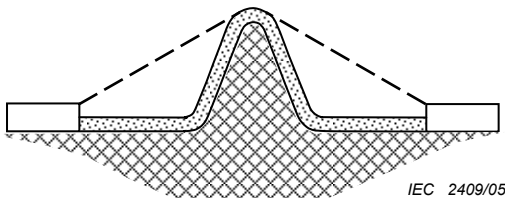
Figure 24 – CREEPAGE DISTANCE and AIR CLEARANCE – Example 3



Condition: Path under consideration includes a V-shaped groove with a width greater than 1 mm and an internal angle of less than 80°.

Rule: AIR CLEARANCE is the "line of sight" distance. CREEPAGE DISTANCE path follows the contour of the groove but "short circuits" the bottom of the groove by a 1 mm link.

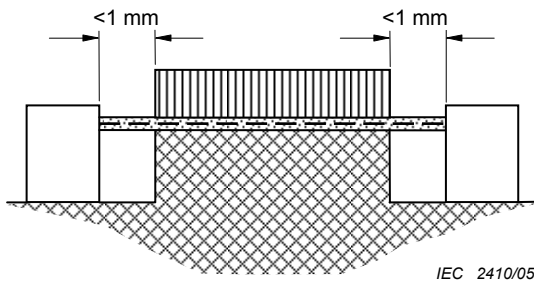
Figure 25 – CREEPAGE DISTANCE and AIR CLEARANCE – Example 4



Condition: Path under consideration includes a rib.

Rule: AIR CLEARANCE is the shortest direct air path over the top of the rib. CREEPAGE DISTANCE path follows the contour of the rib.

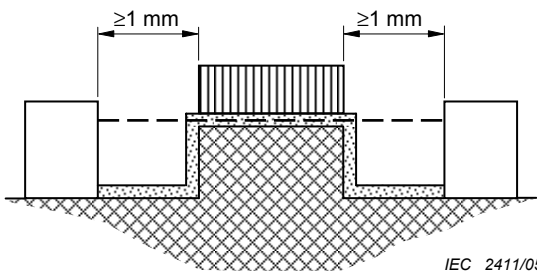
Figure 26 – CREEPAGE DISTANCE and AIR CLEARANCE – Example 5



Condition: Path under consideration includes an uncemented joint (see 8.9.3) with grooves less than 1 mm wide on each side.

Rule: CREEPAGE DISTANCE and AIR CLEARANCE path are the "line of sight" distance shown.

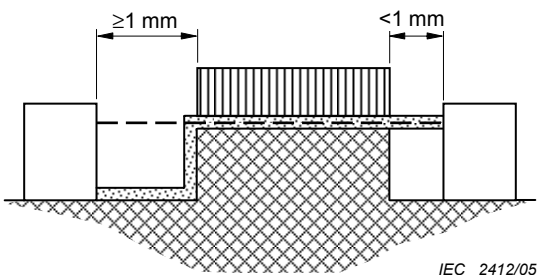
Figure 27 – CREEPAGE DISTANCE and AIR CLEARANCE – Example 6



Condition: Path under consideration includes an uncemented joint (see 8.9.3) with grooves equal to or more than 1 mm wide on each side.

Rule: AIR CLEARANCE is the "line of sight" distance. CREEPAGE DISTANCE path follows the contour of the groove.

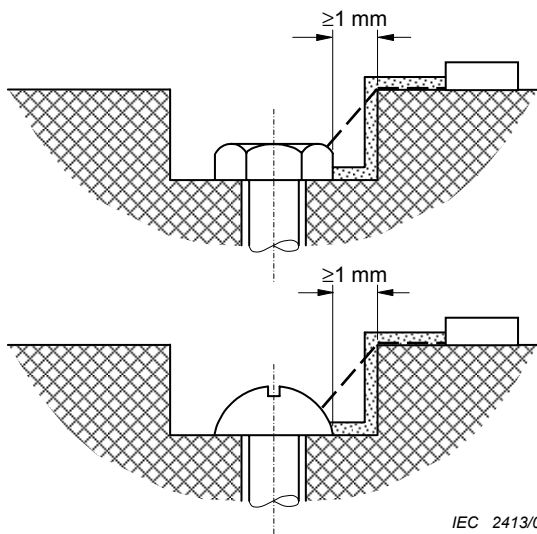
Figure 28 – CREEPAGE DISTANCE and AIR CLEARANCE – Example 7



Condition: Path under consideration includes an uncemented joint (see 8.9.3) with a groove on one side less than 1 mm wide and the groove on the other side equal to or more than 1 mm wide.

Rule: AIR CLEARANCE and CREEPAGE DISTANCE are as shown.

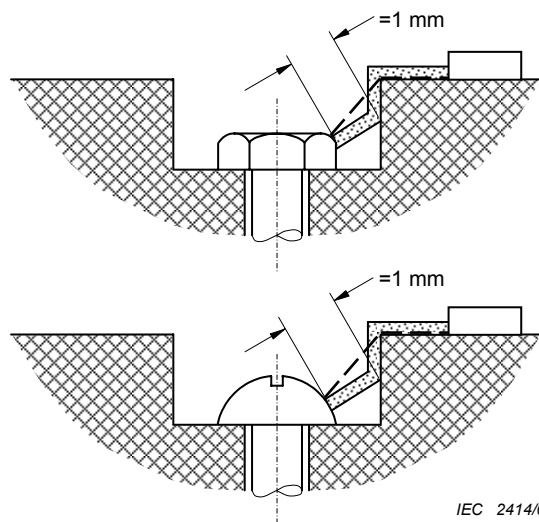
Figure 29 – CREEPAGE DISTANCE and AIR CLEARANCE – Example 8



Condition: Gap between head of screw and wall of recess wide enough to be taken into account.

Rule: The AIR CLEARANCE is the shortest distance to any point on the head of the screw. CREEPAGE DISTANCE path follows the surface.

Figure 30 – CREEPAGE DISTANCE and AIR CLEARANCE – Example 9



Condition: Gap between head of screw and wall of recess too narrow to be taken into account.

Rule: Measurement of CREEPAGE DISTANCE is from screw to wall at any point where the distance is equal to 1 mm. The AIR CLEARANCE is the shortest distance to any point on the head of the screw.

IEC 2414/05

Figure 31 – CREEPAGE DISTANCE and AIR CLEARANCE – Example 10

8.10 Components and wiring

8.10.1 * Fixing of components

Components of ME EQUIPMENT, the unwanted movement of which could result in an unacceptable RISK, shall be mounted securely to prevent such movement.

Compliance is checked by inspection of the ME EQUIPMENT and the RISK MANAGEMENT FILE.

8.10.2 * Fixing of wiring

Conductors and connectors of ME EQUIPMENT shall be so secured or insulated that accidental detachment shall not result in a HAZARDOUS SITUATION. They are not considered to be adequately secured if on breaking free at their joint and moving about their support point they are capable of touching circuit points resulting in a HAZARDOUS SITUATION.

Breaking free of one means of mechanical restraint shall be considered a SINGLE FAULT CONDITION.

Stranded conductors shall not be solder-coated if they are affixed by any clamping means and poor contact could result in a HAZARDOUS SITUATION.

Compliance is checked by inspection of the ME EQUIPMENT and the RISK MANAGEMENT FILE.

8.10.3 Connections between different parts of ME EQUIPMENT

Flexible cords detachable without the use of a TOOL that are used for interconnection of different parts of ME EQUIPMENT shall be provided with means for connection such that compliance of metal ACCESSIBLE PARTS with 8.4 is not compromised when a connection is loosened or broken due to the disengagement of one of the connecting means.

Compliance is checked by inspection and measurement and, if necessary, by a test with the standard test finger according to 5.9.2.1.

8.10.4 * Cord-connected HAND-HELD parts and cord-connected foot-operated control devices (see also 15.4.7)

8.10.4.1 Limitation of operating voltages

Cord-connected HAND-HELD and foot-operated control devices of ME EQUIPMENT and their associated connection cords shall contain only conductors and components operating at voltages not exceeding 42,4 V peak a.c. or 60 V d.c. in circuits isolated from the MAINS PART by two MEANS OF PROTECTION. The d.c. limit of 60 V applies to d.c. with not more than 10 % peak-to-peak ripple. If the ripple exceeds that amount, the 42,4 V peak limit applies.

Compliance is checked by inspection and, if necessary, voltage measurements.

8.10.4.2 Connection cords

The connection and anchorage of a flexible cord to a HAND-HELD or foot-operated control device of ME EQUIPMENT, at both ends of the cable to the control device, shall comply with the requirements specified for POWER SUPPLY CORDS in 8.11.3, if breaking free or shorting between the conductors could result in a HAZARDOUS SITUATION. This requirement also applies to other HAND-HELD parts if disturbance or breaking of one or more of the connections could result in a HAZARDOUS SITUATION.

Compliance is checked by performance of the tests of 8.11.3.

8.10.5 * Mechanical protection of wiring

- a) Internal cables and wiring shall be adequately protected against contact with a moving part or from friction at sharp corners and edges where damage to insulation could result in a HAZARDOUS SITUATION.
- b) ME EQUIPMENT shall be so designed that wiring, cord forms or components are not likely to be damaged during assembly or the opening or closing of ACCESS COVERS where such damage could result in a HAZARDOUS SITUATION.

Compliance is checked by inspection and, where appropriate, by manual test or reference to the RISK MANAGEMENT FILE.

8.10.6 Guiding rollers for insulated conductors

Guiding rollers of insulated conductors of ME EQUIPMENT shall be constructed in such a manner that movable insulated conductors in NORMAL USE are not bent round a radius of less than five times the outer diameter of the lead concerned.

Compliance is checked by inspection and measurement of the relevant dimensions.

8.10.7 * Insulation of internal wiring

- a) If insulating sleeving is needed on internal wiring of ME EQUIPMENT, it shall be adequately secured. Sleeving that can only be removed by breaking or cutting or that is secured at both ends may be used to satisfy this requirement.

- b) Inside ME EQUIPMENT the sheath of a flexible cord shall not be used as a MEANS OF PROTECTION if it is subject to mechanical or thermal stresses outside its RATED characteristics.
- c) Insulated conductors of ME EQUIPMENT that in NORMAL USE are subject to temperatures exceeding 70 °C shall have insulation of heat-resistant material if compliance with this standard is likely to be impaired by deterioration of the insulation.

Compliance is checked by inspection and, if necessary, by special tests. Temperatures are determined as indicated in 11.1.

8.11 MAINS PARTS, components and layout

8.11.1 Isolation from the SUPPLY MAINS

- a) * ME EQUIPMENT shall have means to isolate its circuits electrically from the SUPPLY MAINS on all poles simultaneously.

PERMANENTLY INSTALLED ME EQUIPMENT connected to a polyphase SUPPLY MAINS may be provided with a device that does not interrupt the neutral conductor, provided that local installation conditions are such that in NORMAL CONDITION the voltage on the neutral conductor can be expected not to exceed the limits specified in 8.4.2 c).

- b) Means for isolation either shall be incorporated in ME EQUIPMENT or, if external, shall be described in the technical description (see 7.9.3.1).

- c) * A SUPPLY MAINS switch that is used to comply with 8.11.1 a) shall comply with the CREEPAGE DISTANCES and AIR CLEARANCES as specified in IEC 61058-1 for a MAINS TRANSIENT VOLTAGE of 4 kV.

NOTE Table 22 in IEC 61058-1:2000 specifies different values for contact separation depending on the MAINS TRANSIENT VOLTAGE , which is referred to in that table as the "rated impulse withstand voltage."

- d) A SUPPLY MAINS switch shall not be incorporated in a POWER SUPPLY CORD or any other external, flexible lead.
- e) The direction of movement of the actuator of a SUPPLY MAINS switch that is used to comply with 8.11.1 a) shall comply with IEC 60447.
- f) In non-PERMANENTLY INSTALLED ME EQUIPMENT, a suitable plug device used to isolate ME EQUIPMENT from the SUPPLY MAINS shall be considered as complying with the requirements of 8.11.1 a). An APPLIANCE COUPLER or a flexible cord with a MAINS PLUG may be used.
- g) A fuse or a semiconductor device shall not be used as an isolating means in the sense of this subclause.
- h) * ME EQUIPMENT shall not include a device that causes disconnection of the ME EQUIPMENT from the SUPPLY MAINS by producing a short circuit that results in operation of an over-current protection device.
- i) * Any part within the ENCLOSURE of ME EQUIPMENT with a circuit voltage exceeding 42,4 V peak a.c. or 60 V d.c. that cannot be disconnected from its supply by an external switch or a plug device that is accessible at all times shall be protected against being touched even after opening of the ENCLOSURE by an additional covering or, in the case of a spatially

separated arrangement, shall be marked clearly as exceeding the permitted voltage for parts that can be touched. The use of the symbol ISO 7000-0434 (see Table D.1, symbol 10) is not sufficient. A warning notice on the outside of the ME EQUIPMENT may be used.

Compliance is checked by inspection.

For a part that cannot be disconnected from the supply by an external switch or a plug device that is accessible at all times, compliance is checked by inspection of the required cover or warning notice (if present) and, if necessary, by application of the standard test finger of Figure 6.

8.11.2 * MULTIPLE SOCKET-OUTLETS

MULTIPLE SOCKET-OUTLETS that are integral with ME EQUIPMENT shall comply with the requirements of 16.2 d), second dash, and 16.9.2.1.

Compliance is checked by inspection.

8.11.3 POWER SUPPLY CORDS

8.11.3.1 Application

The MAINS PLUG of ME EQUIPMENT shall not be fitted with more than one POWER SUPPLY CORD.

Compliance is checked by inspection.

8.11.3.2 Types

Any POWER SUPPLY CORD of ME EQUIPMENT shall be not less robust than ordinary tough rubber-sheathed flexible cord (IEC 60245-1:2003, Annex A, designation 53) or ordinary polyvinyl chloride sheathed flexible cord (IEC 60227-1:1993, Annex A, designation 53).

A polyvinyl chloride insulated POWER SUPPLY CORD shall not be used for ME EQUIPMENT having external metal parts with a temperature exceeding 75 °C and which can be touched in NORMAL USE by the cord, unless it is RATED for that temperature. See also Table 22.

Compliance is checked by inspection and measurement.

8.11.3.3 Cross-sectional area of POWER SUPPLY CORD conductors

The NOMINAL cross-sectional area of conductors of any POWER SUPPLY CORD of ME EQUIPMENT shall be not less than that shown in Table 17.

Compliance is checked by inspection.

Table 17 – NOMINAL cross-sectional area of conductors of a POWER SUPPLY CORD

RATED current (<i>I</i>) of ME EQUIPMENT A	NOMINAL cross-sectional area mm ² Cu
$I \leq 6$	0,75
$6 < I \leq 10$	1
$10 < I \leq 16$	1,5
$16 < I \leq 25$	2,5
$25 < I \leq 32$	4
$32 < I \leq 40$	6
$40 < I \leq 63$	10

8.11.3.4 * APPLIANCE COUPLERS

APPLIANCE COUPLERS complying with IEC 60320-1 are considered to comply with 8.11.3.5 and 8.11.3.6.

Compliance is checked by inspection of the documentation demonstrating that the APPLIANCE COUPLER conforms to the requirements of IEC 60320-1.

8.11.3.5 * Cord anchorage

- a) The conductors of a POWER SUPPLY CORD shall be relieved from strain, including twisting, and the insulation of the conductors shall be protected from abrasion at the point of entry to ME EQUIPMENT or a MAINS CONNECTOR by a cord anchorage.
- b) If a total insulation failure of the POWER SUPPLY CORD could cause conductive ACCESSIBLE PARTS that are not PROTECTIVELY EARTHED to exceed the limits specified in 8.4, the cord anchorage of a POWER SUPPLY CORD shall be made:
 - of insulating material, or
 - of metal, insulated from conductive ACCESSIBLE PARTS not PROTECTIVELY EARTHED by a MEANS OF PROTECTION, or
 - of metal provided with an insulating lining, which shall be affixed to the cord anchorage, unless it is a flexible bushing that forms part of the cord guard specified in 8.11.3.6, and which shall comply with the requirements for one MEANS OF PROTECTION.
- c) The cord anchorage of a POWER SUPPLY CORD shall be so designed that the cord is not clamped by a screw that bears directly on the cord insulation.
- d) Screws, if any, that have to be operated when replacing the POWER SUPPLY CORD shall not serve to fix any component other than parts of the cord anchorage.
- e) Conductors of the POWER SUPPLY CORD shall be so arranged that if the cord anchorage fails the PROTECTIVE EARTH CONDUCTOR is not subject to strain as long as the phase conductors are in contact with their terminals.

- f) The cord anchorage shall prevent the POWER SUPPLY CORD from being pushed into the ME EQUIPMENT or MAINS CONNECTOR.

Compliance is checked by inspection and by the following tests:

ME EQUIPMENT, if designed for a POWER SUPPLY CORD, is tested with the cord supplied by the MANUFACTURER.

The POWER SUPPLY CORD conductors are, if possible, disconnected from the terminals or from the MAINS CONNECTOR.

The cord is subjected 25 times to a pull on the sheath of the value shown in Table 18. The pulls are applied in the most unfavourable direction without jerks, each time for 1 s.

Immediately afterwards, the cord is subjected for 1 min to a torque of the value shown in Table 18.

Table 18 – Testing of cord anchorages

Mass (<i>m</i>) of ME EQUIPMENT kg	Pull N	Torque Nm
$m \leq 1$	30	0,1
$1 < m \leq 4$	60	0,25
$m > 4$	100	0,35

A cord anchorage that allows the cord sheath to be longitudinally displaced by more than 2 mm or the conductor ends to move over a distance of more than 1 mm from their normally connected position is considered to fail.

CREEPAGE DISTANCES and AIR CLEARANCES that are reduced below the values specified in 8.9 constitutes a failure.

Attempt to push the cord into the ME EQUIPMENT or the MAINS CONNECTOR. If the cord can be pushed into the ME EQUIPMENT or the MAINS CONNECTOR to such an extent that the cord or internal parts are damaged, the cord anchorage is considered to fail.

8.11.3.6 * Cord guards

POWER SUPPLY CORDS of other than STATIONARY ME EQUIPMENT shall be protected against excessive bending at the inlet opening of the equipment or of the MAINS CONNECTOR by means of a cord guard of insulating material or by means of an appropriately shaped opening in the ME EQUIPMENT.

Compliance is checked by inspection and by either the test described in IEC 60335-1:2001, subclause 25.14 or the following test. An arrangement that passes either test is considered to comply with the requirement.

*ME EQUIPMENT having a cord guard or opening is so placed that the axis of the cord guard, where the cord leaves it, projects at an angle of 45° when the cord is free from stress. A mass equal to $10 \times D^2$ gram is then attached to the free end of the cord, where *D* is the overall diameter of, or for flat cords, the minor overall dimension of the POWER SUPPLY CORD in millimetres.*

If the cord guard is of temperature-sensitive material, the test is made at 23 °C ± 2 °C.

Flat cords are bent in the plane of least resistance.

If the radius of curvature of the cord, immediately after the mass has been attached, is anywhere less than $1,5 \times D$, the cord guard is considered to fail.

8.11.4 MAINS TERMINAL DEVICES

8.11.4.1 * General requirements for MAINS TERMINAL DEVICES

PERMANENTLY INSTALLED ME EQUIPMENT and ME EQUIPMENT having a non-DETACHABLE POWER SUPPLY CORD that is replaceable by SERVICE PERSONNEL shall be provided with MAINS TERMINAL DEVICES that ensure reliable connection.

Reliance shall not be placed upon the terminals alone to maintain the conductors in position, unless barriers are provided such that CREEPAGE DISTANCES and AIR CLEARANCES that serve as a MEANS OF PROTECTION cannot be reduced to less than the values specified in 8.9, if any conductor breaks away. See also 8.10.2.

Terminals of components other than terminal blocks may be used as terminals intended for external conductors if they comply with the requirements of this subclause and are properly marked according to 7.3.7.

Screws and nuts that clamp external conductors shall not serve to fix any other component, except that they may also clamp internal conductors if these are so arranged that they are unlikely to be displaced when fitting the supply conductors.

Compliance is checked by inspection.

8.11.4.2 Arrangement of MAINS TERMINAL DEVICES

- a) * For ME EQUIPMENT with rewirable cords where terminals are provided for the connection of external cords or POWER SUPPLY CORDS, these terminals together with any PROTECTIVE EARTH TERMINAL shall be closely grouped, so as to provide a convenient means of connection.

Compliance is checked by inspection.

- b) For details of PROTECTIVE EARTH CONDUCTOR connections, see 8.6.

- c) For marking of MAINS TERMINAL DEVICES, see 7.3.

- d) MAINS TERMINAL DEVICES shall not be accessible without the use of a TOOL.

Compliance is checked by inspection.

- e) MAINS TERMINAL DEVICES shall be so located or shielded that, if a wire of a stranded conductor escapes when the conductors are fitted, short circuiting a MEANS OF PROTECTION is unlikely.

Compliance is checked by inspection and, if necessary, by the following test:

The end of a flexible conductor having the NOMINAL cross-sectional area specified in Table 17 is stripped of its insulation for a length of 8 mm.

A single wire of the stranded conductor is left free and the rest of the conductor is secured to the terminal.

The free wire is bent in every possible direction without pulling back the insulating sheath and without making sharp bends around partitions.

Contact between the free wire and any other part such that a MEANS OF PROTECTION is short circuited constitutes a failure.

8.11.4.3 Fixing of mains terminals

Terminals shall be FIXED such that, when the means for clamping the conductors are tightened or loosened, the internal wiring is not subjected to stress and CREEPAGE DISTANCES and AIR CLEARANCES are not reduced below the values specified in 8.9.

Compliance is checked by inspection and by measurement after fastening and loosening a conductor of the largest cross-sectional area specified 10 times.

8.11.4.4 * Connections to mains terminals

Terminals with clamping means for a rewirable flexible cord shall not require special preparation of the conductors in order to effect correct connection, and they shall be so designed or placed that the conductors are not damaged and cannot slip out when the clamping means are tightened. See also 8.10.2.

Compliance is checked by inspection of the terminals and of the conductors after the test of 8.11.3.4.

8.11.4.5 Accessibility of the connection

The space inside ME EQUIPMENT designed for FIXED wiring or a rewirable POWER SUPPLY CORD shall be adequate to allow conductors to be easily introduced and connected, and covers, if any, to be fitted without damage to the conductors or their insulation. It shall be possible to check that the conductors are correctly connected and positioned before the ACCESS COVER is fitted. See also 8.10.5.

Compliance is checked by inspection and by an installation test.

8.11.5 * Mains fuses and OVER-CURRENT RELEASES

A fuse or OVER-CURRENT RELEASE shall be provided in each supply lead for CLASS I ME EQUIPMENT and for CLASS II ME EQUIPMENT having a functional earth connection according to 8.6.9, and in at least one supply lead for other single-phase CLASS II ME EQUIPMENT, except that:

- for PERMANENTLY INSTALLED ME EQUIPMENT, the neutral conductor shall not be fused;
- if examination shows that two MEANS OF PROTECTION are present between all parts of opposite polarity within the MAINS PART, and between all parts of the MAINS PART and earth, then the fuses or OVER-CURRENT RELEASES may be omitted. These insulation requirements shall be continued up to and within any component. The effect of short-circuit fault conditions in other circuits shall be considered before eliminating fuses or OVER-CURRENT RELEASES.

A PROTECTIVE EARTH CONDUCTOR shall not incorporate a fuse or OVER-CURRENT RELEASE.

Protective devices shall have adequate breaking capacity to interrupt the maximum fault current (including short-circuit current) which can flow.

NOTE If fuses complying with IEC 60127¹⁸⁾ are used and the prospective short-circuit current exceeds 35 A or 10 times the current rating of the fuse, whichever is greater, the fuses should have high breaking capacity (1 500 A).

Justification for omission of fuses or OVER-CURRENT RELEASES shall be included in the RISK MANAGEMENT FILE.

Compliance is checked by inspection of the ME EQUIPMENT and the RISK MANAGEMENT FILE.

8.11.6 Internal wiring of the MAINS PART

- a) Internal wiring in a MAINS PART between the MAINS TERMINAL DEVICE and the protective devices shall have a cross-sectional area not less than the minimum required for the POWER SUPPLY CORD as specified in 8.11.3.3.

Compliance is checked by inspection.

- b) The cross-sectional area of other wiring in the MAINS PART and the sizes of tracks on printed wiring circuits of ME EQUIPMENT shall be sufficient to prevent fire in case of possible fault currents.

When necessary, compliance is checked by connecting the ME EQUIPMENT to a specified SUPPLY MAINS from which the most unfavourable short-circuit current expected can be drawn in the event of a fault in the MAINS PART. Subsequently, a fault in a single insulation in the MAINS PART is simulated so that the fault current is the least favourable. The occurrence of any HAZARDOUS SITUATIONS listed in 13.1.2 constitutes a failure.

9 * Protection against MECHANICAL HAZARDS of ME EQUIPMENT and ME SYSTEMS

9.1 MECHANICAL HAZARDS of ME EQUIPMENT

For general requirements on design and manufacture of ME EQUIPMENT, see Clause 4 and 15.3.

Table 19 identifies the subclauses that address the MECHANICAL HAZARDS.

¹⁸⁾ IEC 60127 series, *Miniature fuses*

Table 19 – MECHANICAL HAZARDS covered by this clause

MECHANICAL HAZARD	Covered by subclause
Crushing HAZARD	9.2, 9.4 and 9.8
Shearing HAZARD	9.2 and 9.8
Cutting or severing HAZARD	9.2, 9.3 and 9.8
Entanglement HAZARD	9.2
Trapping HAZARD	9.2
Stabbing or puncturing HAZARD	9.2, 9.3 and 9.8
Friction or abrasion HAZARD	9.2 and 9.3
Expelled parts HAZARD	9.5
High pressure fluid ejection HAZARD	9.7
Falling HAZARD	9.8
Instability HAZARD	9.4
Impact HAZARD	9.2 and 9.8
Moving and positioning of PATIENT	9.2 and 9.4
Vibration and noise	9.6

9.2 * HAZARDS associated with moving parts

9.2.1 * General

ME EQUIPMENT with moving parts shall be designed, built and laid out so that, when PROPERLY INSTALLED and used as indicated in the ACCOMPANYING DOCUMENTS or under reasonably foreseeable misuse, the RISKS associated with those moving parts are reduced to an acceptable level.

The RISK from contact with the moving parts shall be reduced to an acceptable level by use of protective measures, bearing in mind the ease of access, the ME EQUIPMENT'S function, the shape of the parts, the energy and speed of the motion and the benefits to the PATIENT.

The RESIDUAL RISK associated with moving parts is considered acceptable if exposure is needed for the ME EQUIPMENT to perform its intended function. If after all reasonable protective

measures have been implemented HAZARDS persist, warnings shall be marked on the ME EQUIPMENT or given in the instructions for use.

NOTE Requirements for parts subject to wear are found in 15.2.

9.2.2 TRAPPING ZONE

9.2.2.1 General

Where feasible, ME EQUIPMENT with a TRAPPING ZONE shall comply with the requirements of one or more of the following:

- gaps as specified in 9.2.2.2; or
- safe distances as specified in 9.2.2.3; or
- GUARDS and protective measures as specified in 9.2.2.4; or
- continuous activation as specified in 9.2.2.5.

If implementation of the above protective measures would be inconsistent with the INTENDED USE of the ME EQUIPMENT or the ME SYSTEM, control of the relevant motion shall comply with 9.2.2.6.

9.2.2.2 Gaps

A TRAPPING ZONE is considered not to present a MECHANICAL HAZARD if the gaps of the TRAPPING ZONE comply with the dimensions specified in Table 20.

NOTE In general the values for adults should be used. However, in the case of devices specifically designed for use with children, the dimensions given for children should be applied.

9.2.2.3 Safe distances

A TRAPPING ZONE is considered not to present a MECHANICAL HAZARD if the distances separating the OPERATOR, PATIENT and other persons from the TRAPPING ZONES exceed the values specified in ISO 13852. The distances are measured from the expected positions of the OPERATOR, PATIENT and other persons near the ME EQUIPMENT in NORMAL USE or under reasonably foreseeable misuse.

9.2.2.4 * GUARDS and protective measures

9.2.2.4.1 Access to TRAPPING ZONES

A TRAPPING ZONE is considered not to present a MECHANICAL HAZARD if GUARDS and protective measures:

- are of robust construction;
- are not easy to bypass or render non-operational;
- do not introduce any additional unacceptable RISK.

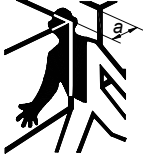
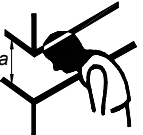


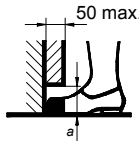

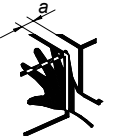

Compliance is checked by the applicable tests of 15.3 for ENCLOSURES.

9.2.2.4.2 FIXED GUARDS

FIXED GUARDS shall be securely held in place by systems that cannot be dismantled without the use of a TOOL.

Compliance is checked by inspection.

Table 20 – Acceptable gaps ^a

Part of body	Adult gap <i>a</i> mm	Children gap <i>a</i> mm	Illustration
Body	>500	>500	
Head	>300 or <120	>300 or <60	
Leg	>180	>180	
Foot	>120 or <35	>120 or <25	
Toes	>50	>50	
Arm	>120	>120	
Hand, wrist, fist	>100	>100	
Finger	> 25 or < 8	> 25 or < 4	

^a The values in this table are taken from ISO 13852:1996.

9.2.2.4.3 Movable GUARDS

Movable GUARDS that can be opened without the use of a TOOL:

- shall remain attached to the ME EQUIPMENT when the GUARD is open;
- shall be associated with an interlock device that prevents the relevant moving parts from starting to move while the TRAPPING ZONE is accessible and stops movement when the GUARD is opened;
- shall be so designed that the absence or failure of one of their components prevents starting, and stops moving parts.

Compliance is checked by conducting any applicable tests and inspection of the ME EQUIPMENT and the RISK MANAGEMENT FILE.

9.2.2.4.4 Protective measures

Protective measures shall be designed and incorporated into the control system so that:

- moving parts cannot start to move while they are in the reach of persons;
- once the ME EQUIPMENT has started to move, the TRAPPING ZONE cannot be reached, or, if the TRAPPING ZONE is reached, system movement must stop. In the later case, no HAZARD or damage shall result;
- if in a SINGLE FAULT CONDITION of the protective measure, an unacceptable RISK could arise, one or more emergency stopping device(s) in the ME EQUIPMENT shall be provided (see 9.2.4).

Compliance is checked by inspection of the ME EQUIPMENT and the RISK MANAGEMENT FILE.

9.2.2.5 * Continuous activation

Where it is impractical to make the TRAPPING ZONE inaccessible, a TRAPPING ZONE is not considered to present a MECHANICAL HAZARD if:

- a) the movement is in the OPERATOR'S field of view;

Compliance is checked by inspection.

- b) movement of the ME EQUIPMENT or its parts is possible only by the continuous activation of the control by the OPERATOR as long as the response of the OPERATOR to deactivate the device can be relied on to prevent HARM;

NOTE Manually operated movements are also considered to comply with this clause, as long as mass and velocity allow adequate control of positioning without causing an unacceptable RISK.

Compliance is checked by inspection.

- c) in a SINGLE FAULT CONDITION of the continuous activation system an unacceptable RISK could arise, one or more emergency stopping device(s) are provided in the ME EQUIPMENT (see 9.2.4).

Compliance is checked by inspection of the ME EQUIPMENT and the RISK MANAGEMENT FILE.

9.2.2.6 * Speed of movement(s)

The speed of movement(s) that position parts of the ME EQUIPMENT or PATIENT, where contact with the ME EQUIPMENT could result in a HAZARDOUS SITUATION, shall be limited so that the OPERATOR will have adequate control of positioning without resulting in an unacceptable RISK.

The overtravel (stopping distance) of such movement, occurring after operation of a control to stop the movement, shall not result in an unacceptable RISK.

Compliance is checked by inspection of the ME EQUIPMENT and the RISK MANAGEMENT FILE.

9.2.3 * Other HAZARDS associated with moving parts**9.2.3.1 Unintended movement**

Controls shall be so positioned, recessed, or protected by other means so that they cannot be accidentally actuated, resulting in unacceptable RISK, unless ergonomic considerations for the intended PATIENT dictate otherwise (e.g. PATIENT with special needs).

Compliance is checked by inspection.

9.2.3.2 Overtravel

The RISK due to overtravel (past range limits) of ME EQUIPMENT parts shall be reduced to an acceptable level. End stops or other stopping means shall be provided to act as the ultimate travel limiting measure in both NORMAL CONDITION and SINGLE FAULT CONDITION.

Such means shall have the mechanical strength to withstand the intended loading in NORMAL USE and reasonably foreseeable misuse.

Compliance is checked by inspection of the ME EQUIPMENT, the RISK MANAGEMENT FILE, specifications of materials used and the processing specifications for these materials.

9.2.4 * Emergency stopping devices

Where it is considered necessary to have one or more emergency stopping device(s), the emergency stopping device shall comply with all the following requirements.

- a) The emergency stopping device shall reduce the RISK to an acceptable level.
- b) The proximity and response of the OPERATOR to actuate the emergency stopping device can be relied on to prevent HARM.
- c) The emergency stopping device actuator shall be readily accessible to the OPERATOR.
- d) Emergency stopping device(s) shall not be part of the normal operation of the ME EQUIPMENT.
- e) Operation of an emergency switching or stopping means shall neither introduce a further HAZARD nor interfere with the complete operation necessary to remove the original HAZARD.
- f) Emergency stopping device(s) shall be able to break the full load of the relevant circuit, taking into account possible stalled motor currents and the like.

- g) Means for stopping of movements shall operate as a result of one single action.
- h) The emergency stopping device shall have an actuator coloured red designed to be distinctive and easily identifiable from that of other controls.
- i) An actuator that interrupts/opens mechanical movements shall be marked on, or immediately adjacent to, the face of the actuator with symbol IEC 60417-5638 (DB:2002-10) (see Table D.1, symbol 18) or the word “STOP”.
- NOTE If the actuator is a switch that interrupts all power, compliance with the above marking requirement is not required.
- j) The emergency stopping device, once actuated, shall maintain the ME EQUIPMENT in the disabled condition until a deliberate action, different from that used to actuate it, is performed.
- k) The emergency stopping device shall be shown to be suitable for its application.

Compliance is checked by inspection of the ME EQUIPMENT and the RISK MANAGEMENT FILE.

9.2.5 * Release of PATIENT

Means shall be provided to permit the release of the PATIENT quickly and safely in the event of breakdown of the ME EQUIPMENT or failure of the power supply (see 11.8), activation of a protective measure or emergency stopping. Special attention shall be given to the following.

- Uncontrolled or unintended movement of the ME EQUIPMENT that could result in an unacceptable RISK shall be prevented.
- Situations where the PATIENT is subjected to unacceptable RISKS due to the proximity of moving parts, removal of normal exit routes, or other HAZARDS, shall be prevented.
- When, after removal of counterbalanced parts, other parts of the ME EQUIPMENT can move in a hazardous way, measures shall be provided to reduce the RISK to an acceptable level.

Compliance is checked by inspection of the ME EQUIPMENT and the RISK MANAGEMENT FILE.

9.3 * HAZARD associated with surfaces, corners and edges

Rough surfaces, sharp corners and edges of ME EQUIPMENT that could result in an unacceptable RISK shall be avoided or covered.

In particular, attention shall be paid to flange or frame edges and the removal of burrs.

Compliance is checked by inspection of the ME EQUIPMENT and the RISK MANAGEMENT FILE.

9.4 * Instability HAZARDS

9.4.1 General

ME EQUIPMENT, other than FIXED ME EQUIPMENT and HAND-HELD ME EQUIPMENT, intended to be placed on a surface such as a floor or a table shall not overbalance (tip over) or move unexpectedly, to the degree that it could present an unacceptable RISK to the PATIENT, OPERATOR or other person.

NOTE The meaning of transport in this subclause is moving ME EQUIPMENT from room to room during NORMAL USE.

Compliance is checked by the tests in 9.4.2 to 9.4.4 (inclusive). Each test is performed separately.

9.4.2 * Instability – overbalance

9.4.2.1 Instability in transport position

ME EQUIPMENT or its parts shall not overbalance when placed in any transport position of NORMAL USE on a plane inclined at an angle of 10° from the horizontal plane.

Compliance is checked by the following test:

Prior to the test the ME EQUIPMENT is prepared as indicated in the ACCOMPANYING DOCUMENTS (or, if not specified, as in 9.4.2.2). The ME EQUIPMENT or its parts is placed on a plane inclined at an angle 10° from the horizontal plane. If the ME EQUIPMENT or its parts overbalances, it constitutes a failure.

9.4.2.2 Instability excluding transport

ME EQUIPMENT or its parts shall not overbalance when placed in any position of NORMAL USE, excluding any transport positions, on a plane inclined at an angle of 5° from the horizontal plane.

If the ME EQUIPMENT or its parts overbalances when placed in any position of NORMAL USE, excluding any transport positions, on a plane inclined at an angle of 10° from the horizontal plane, it shall carry a warning notice stating that transport should only be undertaken in a certain condition that shall be clearly described in the instructions for use or marked on the ME EQUIPMENT with an indication of the RESIDUAL RISK if the ME EQUIPMENT or its parts overbalances.

NOTE For warning notice requirements, see 7.9.2.2.

Compliance is checked by the following test:

Prior to conducting the test, the ME EQUIPMENT is prepared as follows:

- a) *ME EQUIPMENT is provided with all specified connection leads, the POWER SUPPLY CORD and any interconnecting cords. It is provided with the least favourable combination of possible detachable parts, ACCESSORIES and load as specified in NORMAL USE.*
- b) *ME EQUIPMENT having an APPLIANCE INLET is provided with the specified DETACHABLE POWER SUPPLY CORD.*
- c) *The connection leads are laid down on the inclined plane in the position most unfavourable for stability.*
- d) *If castors/wheels are present, they are temporarily immobilized, if necessary by blocking, in their most disadvantageous position.*
- e) *Doors, drawers, shelves and the like are placed in the most disadvantageous position and fully loaded or unloaded whichever represents “worst case” as specified in NORMAL USE according to the ACCOMPANYING DOCUMENTS.*
- f) *ME EQUIPMENT having containers for liquids is tested with these containers completely or partly filled or empty, whichever is least favourable.*
- g) *The ME EQUIPMENT is not connected to the SUPPLY MAINS.*

The test floor surface is to be hard and flat (e.g. concrete floor covered with 2 mm to 4 mm thick vinyl flooring material).

The ME EQUIPMENT or the ME EQUIPMENT parts is placed on a plane inclined at an angle of 10° from the horizontal plane, or, if a warning notice is present, compliance is checked by inspection of the warning notice and the ME EQUIPMENT or its parts is placed on a plane inclined at an angle of 5° from the horizontal plane. If the ME EQUIPMENT or its parts overbalances, it constitutes a failure.

9.4.2.3 Instability from horizontal and vertical forces

- a) ME EQUIPMENT having a mass of 25 kg or more, other than FIXED ME EQUIPMENT that is intended to be used on the floor, shall not overbalance due to pushing, leaning, resting etc.

Surfaces of the ME EQUIPMENT where a RISK of overbalancing the ME EQUIPMENT exists from pushing, leaning, resting etc., shall be permanently marked with a CLEARLY LEGIBLE warning of this RISK, e.g. by use of safety sign ISO 7010-P017 (see Table D.2, safety sign 5).

Compliance is checked by inspection and the following test:

Prior to the test, the ME EQUIPMENT is prepared as described in 9.4.2.2. The ME EQUIPMENT is placed on a horizontal plane and a force equal to 25 % of its weight, but not more than 220 N, is applied in any direction, except a direction having an upward component. Unless otherwise marked, the force is applied at any point of the ME EQUIPMENT but not exceeding 1,5 m from the floor. The ME EQUIPMENT is prevented from sliding on the floor by a horizontal obstruction, not exceeding 20 mm height, which is fastened flat on the floor. If the application of the test force results in lateral movement of the ME EQUIPMENT, increase the height of the obstruction to the minimum extent necessary to prevent lateral movement. If the ME EQUIPMENT overbalances, it constitutes a failure.

- b) ME EQUIPMENT, other than FIXED ME EQUIPMENT, that is intended to be used on the floor or on a table, shall not overbalance due to sitting or stepping unless a legible warning of this RISK is provided on the ME EQUIPMENT, e.g. by use of safety signs ISO 7010-P018 or ISO 7010-P019 as appropriate (see Table D.2, safety signs 6 and 7).

NOTE Requirements for PATIENT support surfaces are found in 9.8.3.

Compliance is checked by inspection and by the following test:

Prior to the test the ME EQUIPMENT is prepared as described in 9.4.2.2. The ME EQUIPMENT is placed on a horizontal plane and a constant downward force of 800 N is applied at the point of maximum moment to any working surface, excluding PATIENT support surfaces, offering an obvious foothold or sitting surface of a minimum 20 cm by 20 cm area, and at a height not exceeding 1 m from the floor. Overbalancing constitutes a failure.

9.4.2.4 * Castors and wheels

9.4.2.4.1 General

The means used for transportation of MOBILE ME EQUIPMENT, e.g. castors or wheels, shall not result in an unacceptable RISK when the MOBILE ME EQUIPMENT is moved or parked in NORMAL USE.

9.4.2.4.2 Force for propulsion

The force required for moving MOBILE ME EQUIPMENT along a hard and flat horizontal surface shall not exceed 200 N unless the instructions for use state that more than one person is needed.

Compliance is checked by placing the ME EQUIPMENT on a hard flat horizontal floor (e.g. concrete floor covered with 2 mm to 4 mm thick vinyl flooring material) and measuring the force needed to propel the ME EQUIPMENT at a speed of 0,4 m/s \pm 0,1 m/s. The force is applied at a height of 1 m above the floor or at the highest point on the ME EQUIPMENT if its height is less than 1 m.

9.4.2.4.3 Movement over a threshold

MOBILE ME EQUIPMENT exceeding 45 kg shall be able to pass over a 20 mm threshold. Passing over a 20 mm threshold shall not result in an unacceptable RISK.

Compliance is checked by the following test:

The ME EQUIPMENT is configured in transport position with any SAFE WORKING LOAD in place as indicated in the ACCOMPANYING DOCUMENTS. The ME EQUIPMENT is moved as in NORMAL USE 10 times in forward direction over (up and down) a solid vertical plane obstruction with a rectangular cross-section, 20 mm high and 80 mm wide that is affixed flat on the floor. All wheels and castors are to impact the obstruction at a speed of 0,4 m/s \pm 0,1 m/s for manual MOBILE ME EQUIPMENT, or, for motor driven MOBILE ME EQUIPMENT, the maximum speed capable of being maintained.

It is unacceptable for ME EQUIPMENT to be unable to go over (up) the obstruction (due to small wheel diameter, for example). Overbalancing or any unacceptable RISK constitutes a failure.

Unacceptable RISK is determined by inspection of the ME EQUIPMENT, its parts, and the RISK MANAGEMENT FILE.

NOTE Examples of damage that can result in unacceptable RISK include the reduction of CREEPAGE DISTANCES and AIR CLEARANCES below those specified in 8.9, access to parts which exceed limits in 8.4, or access to moving parts which could cause HARM.

Assessment criteria that can be useful in determining if this test has resulted in an unacceptable RISK include:

- those in Clause 9 and 11.6;
- the dielectric strength test as specified in 8.8.3 to evaluate the integrity of solid SUPPLEMENTARY or REINFORCED INSULATION; and
- measurement of CREEPAGE DISTANCES or AIR CLEARANCES to compare the values with the minimum distances specified in 8.9. Small chips that do not adversely affect the protection against electric shock or moisture can normally be ignored.

9.4.3 Instability from unwanted lateral movement (including sliding)

9.4.3.1 Instability in transport

- a) Brakes of power-driven MOBILE ME EQUIPMENT shall be designed so that they are normally activated and can only be released by continuous actuation of a control.

Compliance is checked by inspection.

- b) MOBILE ME EQUIPMENT shall be fitted with means (such as locking devices) intended to prevent any unwanted movement of the ME EQUIPMENT or its parts in the transport position.

Compliance is checked by inspection.

- c) MOBILE ME EQUIPMENT that is intended to be used on the floor shall not result in an unacceptable RISK due to unwanted lateral movement.

Compliance is checked by the following test:

Prior to the test, the ME EQUIPMENT is prepared as described in 9.4.2.2. The MOBILE ME EQUIPMENT is placed in its transport position (or in the worst case NORMAL USE position) with the SAFE WORKING LOAD in place, and the locking device (e.g. brakes) activated, on a

hard flat surface inclined at 10° from the horizontal plane. If castors are incorporated, they are positioned in their worst-case position. Following the initial elastic movement, initial creepage, and initial pivoting of castors, any further movement of the MOBILE ME EQUIPMENT greater than 50 mm (in relation to the inclined plane) constitutes a failure. The RISK due to any initial movement is assessed, taking into account the NORMAL USE of the ME EQUIPMENT.

9.4.3.2 Instability excluding transport

- a) MOBILE ME EQUIPMENT shall be provided with wheel locks or with a braking system appropriate to the intended modes of use and sufficient to ensure that unintended movement is prevented on an incline of 5°.

Compliance is checked by the following test:

Prior to the test, the ME EQUIPMENT is prepared as described in 9.4.2.2. The MOBILE ME EQUIPMENT with the SAFE WORKING LOAD in place is positioned on a hard flat surface inclined at an angle of 5° from the horizontal plane with wheels locks on or braking system activated. Following the initial elastic movement, initial creepage, and initial pivoting of castors, any further movement of the ME EQUIPMENT greater than 50 mm (in relation to the inclined surface) constitutes a failure. The RISK due to any initial movement is assessed taking into account the NORMAL USE of the ME EQUIPMENT.

- b) TRANSPORTABLE or STATIONARY ME EQUIPMENT that is intended to be used on the floor shall not result in an unacceptable RISK due to unwanted lateral movement.

Compliance is checked by the following test:

The ME EQUIPMENT is prepared as described in 9.4.2.2. The ME EQUIPMENT is placed on a horizontal plane with the SAFE WORKING LOAD in place, and the locking device (e.g. brakes) activated. If castors are incorporated, they are positioned in their worst-case position. A force equal to 25 % of the weight of the unit, but not more than 220 N, is applied in any direction, except a direction having an upwards component, at the highest point of the ME EQUIPMENT but not exceeding 1,5 m from the floor. Following the initial elastic movement, initial creepage, and initial pivoting of castors, any further movement of the ME EQUIPMENT greater than 50 mm (in relation to the horizontal plane) constitutes a failure. The RISK due to any initial movement is assessed, taking into account the NORMAL USE of the ME EQUIPMENT.

9.4.4 Grips and other handling devices

- a) ME EQUIPMENT other than PORTABLE ME EQUIPMENT or its part with a mass of more than 20 kg that needs to be lifted in NORMAL USE or transport shall either be provided with suitable handling devices (for example handles, lifting eyes, etc.) or the ACCOMPANYING DOCUMENTS shall indicate the points where it can be lifted safely, unless the method of handling is obvious and no HAZARDS can develop when this is done. If the means for lifting are handles, they shall be suitably placed to enable the ME EQUIPMENT or its part to be carried by two or more persons.

Compliance is checked by weighing (if necessary) and by inspection of the ME EQUIPMENT or its part or the ACCOMPANYING DOCUMENTS.

- b) ME EQUIPMENT specified by the MANUFACTURER as PORTABLE ME EQUIPMENT with a mass of more than 20 kg shall have one or more carrying-handles suitably placed to enable the ME EQUIPMENT to be carried by two or more persons.

Compliance is checked by carrying.

- c) Carrying handles or grips furnished on PORTABLE ME EQUIPMENT shall withstand loading as described in the following test:

The handles and their means of attachment are subjected to a force equal to four times the weight of the ME EQUIPMENT in any direction of NORMAL USE and transport.

If more than one handle is furnished on PORTABLE ME EQUIPMENT, the force is distributed between the handles. The distribution of forces is determined by measuring the percentage of the ME EQUIPMENT weight sustained by each handle with the ME EQUIPMENT in the normal carrying position. If the ME EQUIPMENT is furnished with more than one handle but is so designed that it can readily be carried by only one handle, then each handle is to be capable of sustaining the total force.

The force is applied uniformly over a 7 cm length of the handle at the centre, starting at zero and gradually increasing so that the test value will be attained in 5 s to 10 s and maintained for a period of 1 min.

Handles that break loose from the ME EQUIPMENT or exhibit any permanent distortion, cracking or other evidence of breakdown constitutes a failure.

9.5 * Expelled parts HAZARD

9.5.1 Protective means

Where expelled parts could result in an unacceptable RISK, the ME EQUIPMENT shall be provided with a means for protecting against such RISK.

Compliance is checked by assessment of the suitability of the protective means and by inspection of the RISK MANAGEMENT FILE.

9.5.2 Cathode ray tubes

Any cathode ray tube shall comply with the applicable requirements of IEC 60065:2001, Clause 18; or IEC 61965.

Compliance is checked by inspection of a certificate of compliance or by the relevant tests of IEC 60065:2001, Clause 18.

9.6 Acoustic energy (including infra- and ultrasound) and vibration

9.6.1 * General

ME EQUIPMENT shall be designed so that human exposure to acoustic energy and vibration shall not result in an unacceptable RISK.

Compliance is checked by inspection of the RISK MANAGEMENT FILE (taking into account the audibility of auditory alarm signals and PATIENT sensitivity) and the tests indicated in 9.6.2 and 9.6.3.

9.6.2 * Acoustic energy

9.6.2.1 Audible acoustic energy

In NORMAL USE, the PATIENT, OPERATOR and other persons shall not be exposed to acoustic energy from ME EQUIPMENT, except sound from auditory alarm signals, exceeding the levels specified below.

- 80 dBA for a cumulative exposure of 24 h over a 24 h period; an offset of 3 dBA is to be added to this value when halving the cumulative exposure time over a 24 h period (e.g. 83 dBA for 12 h over a 24 h period);
- 140 dB un-weighted sound pressure level for impulsive or impact acoustic energy (noise).

NOTE 1 Interpolation or extrapolation is allowed for exposure times in accordance with the following formula, $80 - 10 \cdot \log_{10}(h/24)$, in dBA, where h is cumulative exposure time over a 24 h period.

NOTE 2 Since PATIENTS might have a higher sensitivity to acoustic energy (noise), a lower level could be more appropriate. Consideration should also be given to perception of auditory alarm signals. The World Health Organization has recommended a maximum impulse or impact acoustic energy (noise) level for children of 120 dB.

NOTE 3 If the A-weighted sound pressure level exceeds 80 dB(A), noise protection measure should be considered.

Compliance is checked by measuring the maximum A-weighted sound pressure level at the minimum distances of PATIENT, OPERATOR and other persons from the source of acoustic energy (noise) in NORMAL USE, and if necessary, calculating the A-weighted sound pressure level produced by the ME EQUIPMENT in accordance with ISO 3746, ISO 9614-1 or IEC 61672-1. The following conditions apply.

- a) *The ME EQUIPMENT is operated under worst-case NORMAL CONDITION.*
- b) *Any protective means provided or called for in ACCOMPANYING DOCUMENTS are to be in place during sound measurement.*
- c) *Sound level meters used in the measurement conform to IEC 61672-1 and IEC 61672-2.*
- d) *The test room is semi-reverberant with a hard reflecting floor. The distance between any wall or other object and the surface of the ME EQUIPMENT is not less than 3 m.*

9.6.2.2 Infrasound and ultrasound energy

When applicable, the MANUFACTURER shall address the RISKS associated with infrasound or ultrasound in the RISK MANAGEMENT PROCESS.

Compliance is checked by inspection of the RISK MANAGEMENT FILE.

9.6.3 * Hand-transmitted vibration

Except for vibrations directly required to carry out the INTENDED USE of the ME EQUIPMENT, means shall be provided to protect the PATIENT, OPERATOR and other persons if in NORMAL USE the hand-transmitted frequency-weighted r.m.s. acceleration generated by the ME EQUIPMENT exceeds the value below:

- 2,5 m/s² for a cumulative time of 8 h during a 24 h period.
- Allowable accelerations for different times are inversely proportional to the square root of the time (e.g. the allowable acceleration for 2 h would be 5,0 m/s²).

NOTE Interpolation or extrapolation is allowed for allowable acceleration in accordance with the following formula, $2,5 \times \sqrt{(8 / t)}$, in m/s², where t is the cumulative time over a 24 h period.

Compliance is checked by measurements at points of equipment in hand contact with PATIENT, OPERATOR or other persons. Measurements are made in accordance with ISO 5349-1.

9.7 * Pressure vessels and parts subject to pneumatic and hydraulic pressure

9.7.1 General

The requirements of this subclause apply to vessels and parts of ME EQUIPMENT subject to pressure, the rupture of which could result in an unacceptable RISK.

The parts of a pneumatic or hydraulic system that are used as a support system shall additionally comply with the requirements in 9.8.

9.7.2 Pneumatic and hydraulic parts

Pneumatic and hydraulic parts of ME EQUIPMENT or ACCESSORIES shall be so designed that:

- no unacceptable RISK results from loss of pressure or loss of vacuum;
- no unacceptable RISK results from a fluid jet caused by leakage or a component failure;
- elements of the ME EQUIPMENT or an ACCESSORY, and especially pipes and hoses, that can lead to an unacceptable RISK shall be protected against harmful external effects;
- reservoirs and similar vessels (e.g. hydro-pneumatic accumulators) that can lead to an unacceptable RISK are automatically depressurized when the ME EQUIPMENT is isolated from its power supply (e.g. pulling out the pneumatic plug at the connector mounted on the facility wall). If this is not possible, means shall be provided for the isolation (e.g. cutting off from the peripheral circuit), or local depressurizing of reservoirs and similar vessels, and pressure indication;
- all elements that can remain under pressure after isolation of the ME EQUIPMENT or an ACCESSORY from its power supply and that could result in an unacceptable RISK shall be provided with clearly identified exhaust devices, and a warning label drawing attention to the necessity of depressurizing these elements before any setting or maintenance activity on the ME EQUIPMENT or ACCESSORIES.

Compliance is checked by inspection and examination of RISK MANAGEMENT FILE.

9.7.3 Maximum pressure

The maximum pressure to which a part of ME EQUIPMENT can be subjected in NORMAL CONDITION and SINGLE FAULT CONDITION shall be considered to be whichever is the highest of the following:

- a) the RATED maximum supply pressure from an external source;
- b) the pressure setting of a pressure-relief device provided as part of the assembly;
- c) the maximum pressure that can be developed by a source of pressure that is part of the assembly, unless the pressure is limited by a pressure-relief device.

9.7.4 Pressure rating of ME EQUIPMENT parts

The maximum pressure to which a part of ME EQUIPMENT can be subjected in NORMAL CONDITION and SINGLE FAULT CONDITION shall not exceed the MAXIMUM PERMISSIBLE WORKING PRESSURE for the part, except as allowed for pressure relief devices in 9.7.7.

Compliance is checked by inspection of the MANUFACTURER'S data for the component, inspection of the ME EQUIPMENT, inspection of the RISK MANAGEMENT FILE, and where necessary, by functional test.

9.7.5 * Pressure vessels

A pressure vessel shall withstand a HYDRAULIC TEST PRESSURE if both the following conditions are met:

- the pressure is greater than 50 kPa; and
- the product of pressure and volume is greater than 200 kPa· l.

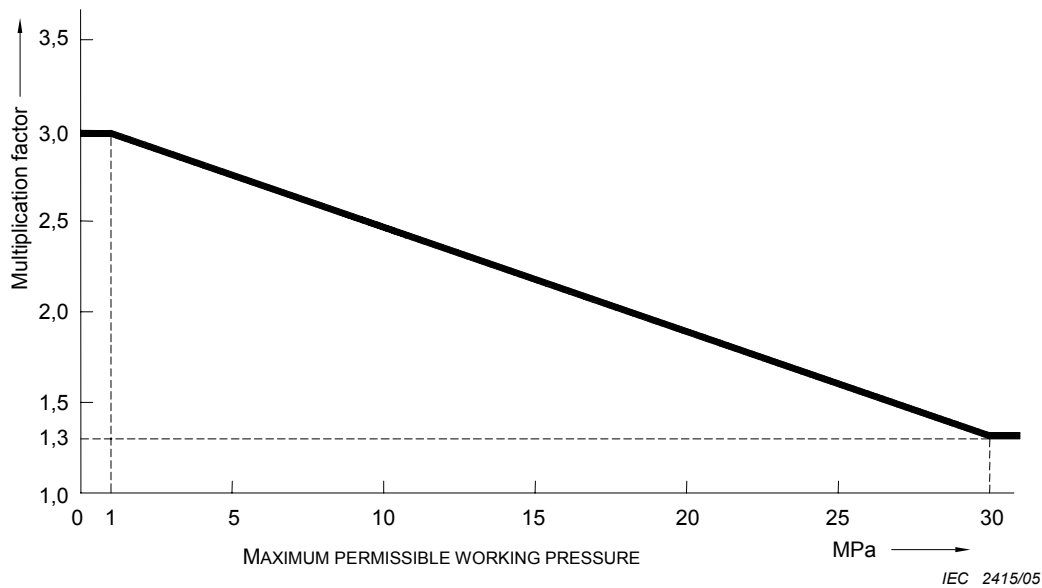
Compliance is checked by the following tests:

The HYDRAULIC TEST PRESSURE is the MAXIMUM PERMISSIBLE WORKING PRESSURE multiplied by a factor obtained from Figure 32.

The pressure is raised gradually to the specified test value and is held at that value for 1 min. A sample that bursts or suffers from permanent (plastic) deformation or leaks constitutes a failure. Leakage at a gasket during this test is not considered to constitute failure unless it occurs at a pressure below 40 % of the required test value, or below the MAXIMUM PERMISSIBLE WORKING PRESSURE, whichever is greater.

No leakage is allowed for pressure vessels intended for toxic, flammable or otherwise hazardous substances. For other pressure vessels, no leakage is allowed that will otherwise result in an unacceptable RISK (e.g. high pressure fluid jet).

Where unmarked pressure vessels and pipes cannot be hydraulically tested, integrity is verified by other suitable tests, e.g. pneumatic using suitable media, at the same test pressure as for the hydraulic test.



**Figure 32 – Ratio between HYDRAULIC TEST PRESSURE
and MAXIMUM PERMISSIBLE WORKING PRESSURE**
(see 9.7.5)

9.7.6 Pressure-control device

In ME EQUIPMENT for which 9.7.7 requires a pressure-relief device, any pressure-control device responsible for regulating the pressure shall be capable of performing under RATED load for 100 000 cycles of operation and shall prevent the pressure from exceeding 90 % of the setting of the pressure-relief device under any condition of NORMAL USE.

Compliance is checked by inspection of the MANUFACTURER'S data for the component, inspection of the ME EQUIPMENT, inspection of the RISK MANAGEMENT FILE, and where necessary, by functional test.

9.7.7 Pressure-relief device

ME EQUIPMENT shall incorporate pressure-relief device(s) where the MAXIMUM PERMISSIBLE WORKING PRESSURE could otherwise be exceeded.

A pressure-relief device shall comply with all of the following requirements:

- a) it shall be connected as close as reasonably practical to the pressure vessel or parts of the system that it is intended to protect;
- b) it shall be so installed that it is readily accessible for inspection, maintenance and repair;
- c) it shall not be capable of being adjusted or rendered inoperative without the use of a TOOL;
- d) it shall have its discharge opening so located and directed that the released material is not directed towards any person;
- e) it shall have its discharge opening so located and directed that operation of the device will not deposit material on parts that could result in an unacceptable RISK;

- f) it shall be of adequate discharge capacity to ensure that the pressure will not exceed the MAXIMUM PERMISSIBLE WORKING PRESSURE of the system to which it is connected by more than 10 % in the event of a failure in the control of the supply pressure;
- g) there shall be no shut-off valve between a pressure-relief device and the parts that it is intended to protect;
- h) the minimum number of cycles of operation shall be 100 000, except for one-time use devices such as bursting disks.

Compliance is checked by inspection of the MANUFACTURER'S data for the component, inspection of the ME EQUIPMENT, inspection of the RISK MANAGEMENT FILE, and where necessary, by functional test.

9.7.8 RATED maximum supply pressure

See 7.2.18.

9.8 * HAZARDS associated with support systems

9.8.1 General

Where ME EQUIPMENT parts are designed to support loads or to provide actuating forces, the following requirements shall be applied if a mechanical fault could constitute an unacceptable RISK.

- The construction of the support, suspension or actuation system shall be designed based upon Table 21 and the TOTAL LOAD.
- Means of attachment of ACCESSORIES shall be designed such that any possibility of incorrect attachment that could result in an unacceptable RISK is avoided.
- The RISK ANALYSIS of support systems shall consider HAZARDS arising from static, dynamic, vibration, impact and pressure loading, foundation and other movements, temperature, environmental, manufacture and service conditions.
- All likely failure effects shall be considered in the RISK ANALYSIS. These include excessive deflection, plastic deformation, ductile or brittle fracture, fatigue fracture, instability (buckling), stress-assisted corrosion cracking, wear, material creep, material deterioration and residual stresses resulting from the manufacturing PROCESSES, e.g. machining, assembling, welding, heat treatment or surface coating.
- The ACCOMPANYING DOCUMENTS shall contain instructions on attachment of structures to a floor, wall, ceiling, etc. making adequate allowances for quality of the materials used to make the connection and shall list the required materials. Additionally there shall be advice on checking the adequacy of the surface of the structure to which the parts will be attached.

9.8.2 TENSILE SAFETY FACTOR

Support systems shall maintain structural integrity during the EXPECTED SERVICE LIFE of the ME EQUIPMENT. TENSILE SAFETY FACTORS shall not be less than those shown in Table 21 unless an alternative method demonstrates structural integrity throughout the EXPECTED SERVICE LIFE of the ME EQUIPMENT, or the support is a foot rest. The requirements for foot rests are in 9.8.3.2 a).

Table 21 – Determination of TENSILE SAFETY FACTOR

Situation			Minimum TENSILE SAFETY FACTOR ^a	
No.	System Part	Elongation	A ^b	B ^c
1	Support system parts not impaired by wear	Metallic material ^d having a specific elongation at break equal to or greater than 5 %	2,5	4
2	Support system parts not impaired by wear	Metallic material ^d having a specific elongation at break of less than 5 %	4	6
3	Support system parts impaired by wear ^e and no MECHANICAL PROTECTIVE DEVICE	Metallic material ^d having a specific elongation at break equal to or greater than 5 %	5	8
4	Support system parts impaired by wear ^e and no MECHANICAL PROTECTIVE DEVICE	Metallic material ^d having a specific elongation at break of less than 5 %	8	12
5	Support system parts impaired by wear ^e and with MECHANICAL PROTECTIVE DEVICE (or primary system of multiple support systems)	Metallic material ^d having a specific elongation at break equal to or greater than 5 %	2,5	4
6	Support system parts impaired by wear ^e and with MECHANICAL PROTECTIVE DEVICE (or primary system of multiple support systems)	Metallic material ^d having a specific elongation at break of less than 5 %	4	6
7	MECHANICAL PROTECTIVE DEVICE (or back-up system of multiple support system)		2,5	4

^a The TENSILE SAFETY FACTORS are intended to take account of conditions defined in 15.3.7 (i.e. environmental effects, impairing effects of wear, corrosion, material fatigue or ageing).

^b Case A = The material TENSILE STRENGTH and all external forces to be expected are quantifiable and known accurately.

^c Case B = Other than case A; specifically, the material TENSILE STRENGTH and all external forces to be expected are known approximately, but not with sufficient accuracy to justify the TENSILE SAFETY FACTOR for case A.

^d For non-metallic materials, particular standards can prescribe adequate TENSILE SAFETY FACTORS (see rationale in Annex A, Subclause 9.8).

^e Components considered impaired by wear include: chains, cables (wire rope), belts, jack screw nuts, springs, pneumatic or hydraulic hoses, gaskets or rings of pneumatic or hydraulic pistons.

Compliance with 9.8.1 and 9.8.2 is checked by inspection of the ME EQUIPMENT, the RISK MANAGEMENT FILE, the specifications of materials used and the processing specifications for these materials.

When test results are part of relevant information, testing consists of gradually applying a test load to the support assembly under test equal to the TOTAL LOAD times the required TENSILE SAFETY FACTOR. The support assembly under test is to be in equilibrium after 1 min, or otherwise not result in an unacceptable RISK.

NOTE 1 It might be necessary to support assemblies that are connected to the assembly under test but do not require such a high safety factor, e.g. assembly under test requires TENSILE SAFETY FACTOR = 8 and assembly supporting it is designed with a TENSILE SAFETY FACTOR = 4. Use of additional support should be explained in the test report.

NOTE 2 The 1 min time period might need to be longer for materials which might have creep type problems, such as plastics or other non-metallic materials.

9.8.3 * Strength of PATIENT or OPERATOR support or suspension systems

9.8.3.1 General

ME EQUIPMENT parts serving for support or immobilization of PATIENTS shall be designed and manufactured so as to minimize the RISK of physical injuries and of accidental loosening of fixings.

The SAFE WORKING LOAD of ME EQUIPMENT or its parts serving for support or suspension of PATIENTS or OPERATORS shall be the sum of the mass of the PATIENTS or the mass of the OPERATORS plus the mass of ACCESSORIES intended by MANUFACTURERS to be supported or suspended by the ME EQUIPMENT or ME EQUIPMENT parts.

Unless otherwise stated by the MANUFACTURER, supporting and suspending parts for adult human PATIENTS or OPERATORS shall be designed for a PATIENT or OPERATOR having a minimum mass of 135 kg and ACCESSORIES having a minimum mass of 15 kg.

Where a MANUFACTURER specifies particular applications (e.g. paediatric use), the maximum mass of the PATIENT included in the SAFE WORKING LOAD of the ME EQUIPMENT or its parts serving for support or suspension of PATIENTS may be adapted. When the maximum allowable value of the mass of the PATIENT is less than 135 kg, that value shall be marked on the ME EQUIPMENT and described in ACCOMPANYING DOCUMENTS. When the maximum allowable value of the mass of the PATIENT is more than 135 kg, that value shall be described in ACCOMPANYING DOCUMENTS.

Compliance is checked by inspection of markings, ACCOMPANYING DOCUMENTS, and the RISK MANAGEMENT FILE.

9.8.3.2 * Static forces due to loading from persons

In analyzing loading forces and torques on support assemblies, the part of the SAFE WORKING LOAD representing the mass of the PATIENTS or OPERATORS is distributed on the support/suspension surface in a manner representing the human body (see the example in Figure A.19).

NOTE The position of the human body varies depending on the configuration of the support/suspension system and therefore the load acting on different sections will vary and should be taken into account.

In analyzing loading forces and torques on support assemblies, the part of the SAFE WORKING LOAD representing the mass of ACCESSORIES shall be deployed as in NORMAL USE or, if not defined, at the worst case position permitted by the configuration or ACCESSORIES attachment on the support/suspension parts.

- a) For a foot rest that is intended to temporarily support a standing PATIENT or OPERATOR, the whole mass of the PATIENT or OPERATOR is distributed over an area of 0,1 m².

Compliance is checked by inspection of the ME EQUIPMENT, the RISK MANAGEMENT FILE, the specifications of materials used and the processing specifications for these materials, and the following test:

Prior to performing these tests, the PATIENT support/suspension system is positioned horizontally in its most disadvantageous position in NORMAL USE.

A mass equal to two times 135 kg or two times the intended person load, whichever is greater is applied to the foot rest over an area of 0,1 m² for 1 min. After the test, a foot rest and its fixings that shows any damage or deflection that could result in an unacceptable RISK constitutes a failure.

- b) For an area of support/suspension where a PATIENT or OPERATOR can sit, deflection of a support surface from PATIENT or OPERATOR loading shall not result in an unacceptable RISK.

Compliance is checked by inspection of the ME EQUIPMENT, the RISK MANAGEMENT FILE, the specifications of materials used and the processing specifications for these materials, and the following test:

Prior to performing these tests, the PATIENT support/suspension system is positioned horizontally in its most disadvantageous position in NORMAL USE.

A mass of 60 % of the part of the SAFE WORKING LOAD representing the PATIENT or OPERATOR, as defined in the instructions for use, or at a minimum 80 kg, is placed on the support/suspension system with the centre of the load 60 mm from the outer edge of the support/suspension system for a time of at least one minute. Any deflection of the support/suspension system that could result in an unacceptable RISK constitutes a failure.

9.8.3.3 * Dynamic forces due to loading from persons

Where dynamic forces (due to sitting down, standing up, PATIENT handling PROCESS or the like) can be exerted on equipment parts intended to support or suspend a PATIENT or OPERATOR in NORMAL USE, they shall not result in an unacceptable RISK.

Compliance is checked by the following test:

Prior to performing this test, the PATIENT support/suspension system is positioned horizontally in its most disadvantageous position in NORMAL USE.

For the area of support/suspension where a PATIENT or OPERATOR can sit, a mass (as defined in Figure 33) equivalent to the SAFE WORKING LOAD representing the PATIENT or OPERATOR as defined in the instructions for use is dropped from a distance of 150 mm above the seat area. Any loss of function or structural damage that could result in an unacceptable RISK constitutes a failure.

9.8.4 * Systems with MECHANICAL PROTECTIVE DEVICES

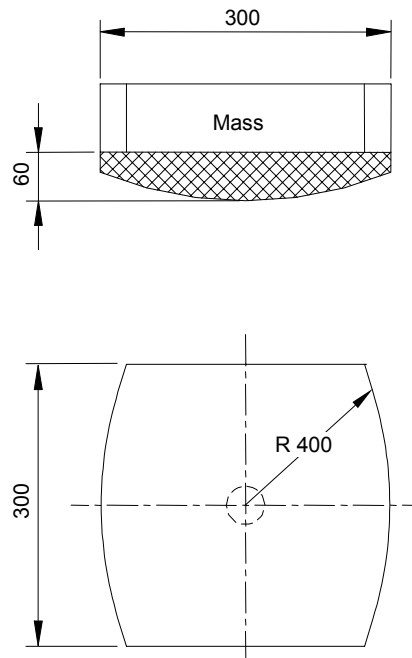
9.8.4.1 General

- a) A MECHANICAL PROTECTIVE DEVICE shall be provided when a support system or any of its parts impaired by wear have a TENSILE SAFETY FACTOR greater than or equal to the values specified in rows 5 and 6 but less than those in rows 3 and 4 of Table 21.
- b) The MECHANICAL PROTECTIVE DEVICE shall:
- be designed on the basis of TOTAL LOAD, which shall include the effects of the SAFE WORKING LOAD when applicable;
 - have TENSILE SAFETY FACTORS for all parts not less than those in row 7 of Table 21;

- activate before travel (movement) produces an unacceptable RISK;
- take into account 9.2.5 and 9.8.4.3.

Compliance is checked by inspection of the ME EQUIPMENT, the RISK MANAGEMENT FILE, the specifications of materials used and the processing specifications for these materials.

Dimensions in millimetres



IEC 2416/05

NOTE The upper carriage of the human body test mass apparatus is formed of wood or a similar material. The bottom portion is foam. The resiliency or spring factor of the foam (ILD or IFD ratings) is not specified, as with a large mass being dropped, the foam properties are likely inconsequential. The foam is cylindrical, rather than spherical.

Figure 33 – Human body test mass
(see 9.8.3.3)

9.8.4.2 Use after activation of a MECHANICAL PROTECTIVE DEVICE

If ME EQUIPMENT can still be used after failure of the suspension or actuation means and activation of a MECHANICAL PROTECTIVE DEVICE such as a secondary cable (wire rope), it shall become obvious to the OPERATOR that the MECHANICAL PROTECTIVE DEVICE has been activated.

The MECHANICAL PROTECTIVE DEVICE shall require the use of a TOOL to be reset or replaced.

Compliance is checked by inspection of the ME EQUIPMENT.

9.8.4.3 MECHANICAL PROTECTIVE DEVICE intended for single activation

If a MECHANICAL PROTECTIVE DEVICE is intended to function only once, the following requirements shall be fulfilled:

- Further use of the ME EQUIPMENT shall be impossible until the MECHANICAL PROTECTIVE DEVICE has been replaced.

- The ACCOMPANYING DOCUMENTS shall instruct that once the MECHANICAL PROTECTIVE DEVICE has been activated, SERVICE PERSONNEL are to be called, and the MECHANICAL PROTECTIVE DEVICE must be replaced before the ME EQUIPMENT can be used again.
- The ME EQUIPMENT shall be permanently marked with safety sign 7010-W001 (see Table D.2, safety sign 2).
- The marking shall be adjacent to the MECHANICAL PROTECTIVE DEVICE or so located that its relation to the MECHANICAL PROTECTIVE DEVICE is obvious to the person performing service or repair.

NOTE See also 15.3.7.

Compliance is checked as follows:

- *by inspection of the ME EQUIPMENT, the ACCOMPANYING DOCUMENTS, the RISK MANAGEMENT FILE, specifications of materials used and the processing specifications for these materials;*
- *a chain, cable (wire rope), band, spring, belt, jack screw nut, pneumatic or hydraulic hose, structural part or the like, employed to support a load, is defeated (to test the MECHANICAL PROTECTIVE DEVICE) by any convenient means, thereby causing the maximum normal load to fall from the most adverse position permitted by the construction of the ME EQUIPMENT. If the system supports a PATIENT or OPERATOR, the load is to include the SAFE WORKING LOAD defined in 9.8.3.1.*

Any evidence of damage to a MECHANICAL PROTECTIVE DEVICE that would affect its ability to perform its intended function constitutes a failure.

9.8.5 Systems without MECHANICAL PROTECTIVE DEVICES

A MECHANICAL PROTECTIVE DEVICE is not required if:

- the support system parts are not impaired by wear and have TENSILE SAFETY FACTORS greater than or equal to the values specified in rows 1 and 2 of Table 21; or
- the support system parts are impaired by wear but have TENSILE SAFETY FACTORS greater than or equal to the values specified in rows 3 and 4 of Table 21.

Compliance is checked by inspection of the ME EQUIPMENT and the RISK MANAGEMENT FILE.

10 * Protection against unwanted and excessive radiation HAZARDS

10.1 X-Radiation

10.1.1 * ME EQUIPMENT not intended to produce diagnostic or therapeutic X-radiation

For ME EQUIPMENT not intended to produce X-radiation for diagnostic or therapeutic purposes, but which might produce ionizing radiation, the dose-rate shall not exceed 36 pA/kg (5 µSv/h) (0,5 mR/h) at a distance of 5 cm from a surface of the ME EQUIPMENT taking account of the background radiation.

NOTE 1 The dose-rate value appears in ICRP 60 [39].

NOTE 2 In the member countries of CENELEC, the amount of ionizing radiation is regulated by European Council Directive 96/29/Euratom of 13 May 1996. This Directive requires that at any point 10 cm from the surface of the equipment, the dose-rate shall not exceed 1 µSv/h (0,1 mR/h) taking account of the background level.

Compliance is checked by following test:

The amount of radiation is determined by means of a radiation monitor of the ionizing chamber type with an effective area of 10 cm² or by measuring equipment of other types giving equivalent results.

The ME EQUIPMENT is operated at the most unfavourable RATED MAINS VOLTAGE and with any controls adjusted so as to give maximum radiation whilst maintaining the ME EQUIPMENT in NORMAL USE.

Internal preset controls not intended to be adjusted during the EXPECTED SERVICE LIFE of the ME EQUIPMENT are not considered.

Measurements are made at a distance of 5 cm from any surface to which OPERATORS other than SERVICE PERSONNEL:

- can gain access without the use of a TOOL;*
- is deliberately provided with the means of access; or*
- is instructed to enter regardless of whether or not a TOOL is needed to gain access.*

Any measurement exceeding 36 pA/kg (5 µSv/h) (0,5 mR/h) adjusted for the level of background radiation constitutes a failure.

NOTE 3 This test PROCEDURE is equivalent to that in Annex H of IEC 60950-1:2001.

10.1.2 ME EQUIPMENT intended to produce diagnostic or therapeutic X-radiation

The MANUFACTURER shall address in the RISK MANAGEMENT PROCESS the RISK from unintended X-radiation from ME EQUIPMENT designed to produce X-radiation for diagnostic and therapeutic purposes. See IEC 60601-1-3 and also see 1.3.

Compliance is checked by inspection of the RISK MANAGEMENT FILE.

10.2 Alpha, beta, gamma, neutron and other particle radiation

When applicable, the MANUFACTURER shall address in the RISK MANAGEMENT PROCESS the RISKS associated with alpha, beta, gamma, neutron and other particle radiation.

Compliance is checked by inspection of the RISK MANAGEMENT FILE.

10.3 Microwave radiation

When applicable, the MANUFACTURER shall address in the RISK MANAGEMENT PROCESS the RISKS associated with microwave radiation.

Compliance is checked by inspection of the RISK MANAGEMENT FILE.

10.4 * Lasers and light emitting diodes (LEDs)

The relevant requirements of IEC 60825-1:1993 apply. If laser light barriers or similar products are used within equipment, they shall comply with the requirements of IEC 60825-1:1993.

Compliance is checked by following the relevant PROCEDURES of IEC 60825-1:1993.

10.5 Other visible electromagnetic radiation

When applicable, the MANUFACTURER shall address in the RISK MANAGEMENT PROCESS the RISKS associated with visible electromagnetic radiation, other than that produced by lasers and light emitting diodes (see 10.4).

Compliance is checked by inspection of the RISK MANAGEMENT FILE.

10.6 Infrared radiation

When applicable, the MANUFACTURER shall address in the RISK MANAGEMENT PROCESS the RISKS associated with infrared radiation, other than that produced by lasers and light emitting diodes (see 10.4).

Compliance is checked by inspection of the RISK MANAGEMENT FILE.

10.7 Ultraviolet radiation

When applicable, the MANUFACTURER shall address in the RISK MANAGEMENT PROCESS the RISKS associated with ultraviolet radiation, other than that produced by lasers and light emitting diodes (see 10.4).

Compliance is checked by inspection of the RISK MANAGEMENT FILE.

11 Protection against excessive temperatures and other HAZARDS

11.1 * Excessive temperatures in ME EQUIPMENT

11.1.1 * Maximum temperature during NORMAL USE

When ME EQUIPMENT is operated in worst-case NORMAL USE including the maximum ambient operating temperature specified in the technical description (see 7.9.3.1):

- ME EQUIPMENT parts shall not reach temperatures exceeding the values given in Table 22 and Table 23;
- the ME EQUIPMENT shall not cause the surfaces of the test corner to exceed 90 °C; and
 - THERMAL CUT-OUTS shall not operate in NORMAL CONDITION.

Table 22 – Allowable maximum temperatures of parts

Parts	Maximum Temperature °C
Insulation, including winding insulation ^a	
- of Class A Material	105
- of Class E Material	120
- of Class B Material	130
- of Class F Material	155
- of Class H Material	180
Parts with T marking	T ^b
Other components and materials	^c
Parts in contact with flammable liquid with flash-point of T °C	T-25
Wood	90
^a The classification of insulating materials is in accordance with IEC 60085. Any incompatibility of the materials of an insulating system that could reduce the maximum temperature limit of the system below the limits of the individual materials shall be considered. ^b T marking refers to the marked maximum operating temperature. ^c For each material and component, account shall be taken of the temperature ratings for each material or component to determine the appropriate maximum temperature. Each component shall be used in accordance with its temperature rating. Where doubt exists, the ball pressure test of 8.8.4.1 should be performed.	

Table 23 – Allowable maximum temperatures for ME EQUIPMENT parts that are likely to be touched

ME EQUIPMENT and its parts		Maximum temperature ^a °C		
		Metal and liquids	Glass, porcelain, vitreous material	Moulded material, plastic, rubber, wood
External surfaces of ME EQUIPMENT that are likely to be touched for a time “t”	$t < 1$ s	74	80	86
	$1 \text{ s} \leq t < 10$ s	56	66	71
	$10 \text{ s} \leq t < 1$ min	51	56	60
	$1 \text{ min} \leq t$	48	48	48

^a These temperature limit values are applicable for touching the healthy skin of adults. They are not applicable when large areas of the skin (10 % of total body surface or more) can be in contact with a hot surface. This also applies in the case of skin contact with over 10 % of the head surface. Where this is the case, appropriate limits shall be determined and documented in the RISK MANAGEMENT FILE.

Table 24 – Allowable maximum temperatures for skin contact with ME EQUIPMENT APPLIED PARTS

APPLIED PARTS of ME EQUIPMENT		Maximum temperature ^{a b} °C		
		Metal and liquids	Glass, porcelain, vitreous material	Moulded material, plastic, rubber, wood
APPLIED PART having contact with the PATIENT for a time “t”	$t < 1$ min	51	56	60
	$1 \text{ min} \leq t < 10$ min	48	48	48
	$10 \text{ min} \leq t$	43	43	43

^a These temperature limit values are applicable for the healthy skin of adults. They are not applicable when large areas of the skin (10 % of total body surface or more) can be in contact with a hot surface. They are not applicable in the case of skin contact with over 10 % of the head surface. Where this is the case, appropriate limits shall be determined and documented in the RISK MANAGEMENT FILE.

^b Where it is necessary for APPLIED PARTS to exceed the temperature limits of Table 24 in order to provide clinical benefit, the RISK MANAGEMENT FILE shall contain documentation showing that the resulting benefit exceeds any associated increase in RISK.

11.1.2 * Temperature of APPLIED PARTS

11.1.2.1 APPLIED PARTS intended to supply heat to a PATIENT

The temperature (hot or cold surfaces) or (where appropriate) the clinical effects shall be determined and documented in the RISK MANAGEMENT FILE. The temperatures and clinical effects shall be disclosed in the instructions for use.

11.1.2.2 * APPLIED PARTS not intended to supply heat to a PATIENT

The limits of Table 24 shall apply. If the surface temperature of an APPLIED PART exceeds 41 °C, the maximum temperature shall be disclosed in the instructions for use and the clinical effects with respect to characteristics such as body surface, maturity of PATIENTS, medications being taken or surface pressure shall be determined and documented in the RISK MANAGEMENT FILE. Where 41°C is not exceeded, no justification is required.

Surfaces of APPLIED PARTS that are cooled below ambient temperatures can also result in HAZARD and shall be evaluated as part of the RISK MANAGEMENT PROCESS.

11.1.3 * Measurements

Where engineering judgement by the MANUFACTURER indicates that temperature limits cannot be exceeded, no measurement is required. Where such judgements indicate that the test corner will not impact the measurements, it may be omitted. However, the rationale for such judgement shall be documented in the RISK MANAGEMENT FILE. If the test corner is used, its surfaces shall not exceed 90 °C.

For ME EQUIPMENT parts that are likely to be touched and for APPLIED PARTS, the probability of occurrence of contact and of the duration of contact is determined and documented in the RISK MANAGEMENT FILE.

Compliance with the requirements of 11.1.1 and 11.1.2 is checked by inspection of the RISK MANAGEMENT FILE and the instructions for use, operation of ME EQUIPMENT and temperature measurements as follows:

a) Positioning

- 1) ME EQUIPMENT is tested in the position(s) of NORMAL USE.
- 2) ME EQUIPMENT is placed in a test corner. The test corner consists of two walls at right angles, a floor and, if necessary, a ceiling, all of dull black painted plywood of 20 mm thickness. The linear dimensions of the test corner are at least 115 % of the linear dimensions of the ME EQUIPMENT under test.

The ME EQUIPMENT is positioned in the test corner as follows:

- ME EQUIPMENT normally used on a floor or a table is placed as near to the walls as is likely to occur in NORMAL USE.
 - ME EQUIPMENT normally affixed to a wall is mounted on one of the walls, as near to the other wall and to the floor or ceiling as is likely to occur in NORMAL USE.
 - ME EQUIPMENT normally affixed to a ceiling is mounted on the ceiling as near to the walls as is likely to occur in NORMAL USE.
- 3) HAND-HELD ME EQUIPMENT is suspended in its normal position, in still air.
 - 4) ME EQUIPMENT intended for installation in a cabinet or wall is built in as required by the technical description (see 7.9.3.1), using dull black painted plywood walls, 10 mm thick when representing cabinet walls if the technical description so specify and 20 mm thick when representing building walls.

b) Supply

- ME EQUIPMENT having heating elements is operated as in NORMAL USE, with all heating elements energized unless prevented by switching interlocks, the supply voltage being equal to 110 % of the maximum RATED voltage.
- Motor operated ME EQUIPMENT is operated under normal load and normal DUTY CYCLE and the least favourable voltage between 90 % of the minimum RATED voltage and 110 % of the maximum RATED voltage.

- Combined heating and motor operated and other ME EQUIPMENT is tested both at 110 % of the maximum RATED voltage and at 90 % of the minimum RATED voltage.
- When modules are tested separately, the configuration for testing simulates the worst case conditions of NORMAL USE that might affect the test result.

c) Thermal stabilization

- For ME EQUIPMENT intended for non-CONTINUOUS OPERATION:

After operating in standby/quiescent mode until THERMAL STABILITY is reached, the ME EQUIPMENT is operated in NORMAL USE over consecutive cycles until THERMAL STABILITY is again achieved, or for 7 h, whichever is shorter. The “on” and “off” periods for each cycle are the RATED “on” and “off” periods;

- For ME EQUIPMENT for CONTINUOUS OPERATION:

The ME EQUIPMENT is operated until THERMAL STABILITY is reached.

d) Temperature measurement

- Resistance method (for windings):

The value of the temperature rise of a copper winding is calculated from the formula:

$$\Delta T = \frac{R_2 - R_1}{R_1} (234,5 + T_1) - (T_2 - T_1)$$

where:

ΔT is the temperature rise in °C;

R_1 is the resistance at the beginning of the test in Ω ;

R_2 is the resistance at the end of the test in Ω ;

T_1 is the room temperature at the beginning of the test in °C;

T_2 is the room temperature at the end of the test in °C.

At the beginning of the test, windings are to be at room temperature.

NOTE When the resistance method is used, it is recommended that the resistance of windings at the end of the test be determined by taking measurements as soon as possible after switching off, and then at short intervals so that a curve of resistance against time can be plotted for ascertaining the value at the instant of switching off.

- Thermocouple and other methods (for all measurements):

Measurement is made by devices or sensors so chosen and positioned that they have a negligible effect on the temperature of the part under test.

When thermocouples are used to determine the temperature of windings, the temperature limits of Table 22 are to be reduced by 10 °C.

The temperature of electrical insulation, other than that of windings, is determined on the surface of the insulation at places where failure could cause a short circuit, bridging of a MEANS OF PROTECTION, bridging of insulation or reduction of CREEPAGE DISTANCES or AIR CLEARANCES below the values specified for the insulation type in 8.9.

The point of separation of cores of a multicore cord and where insulated wires enter lampholders are examples of places where temperatures might be measured.

e) *Test criteria*

During the test THERMAL CUT-OUTS are not de-activated.

The maximum temperature of a part is determined by measuring the temperature rise of the part under test and adding it to the maximum allowed ambient temperature specified in the technical description (see 7.9.3.1). Where thermal regulatory devices make this method inappropriate, alternative methods for measurement are justified in the RISK MANAGEMENT FILE.

11.1.4 GUARDS

GUARDS intended to prevent contact with hot or cold accessible surfaces of ME EQUIPMENT shall be removable only with the aid of a TOOL.

Compliance is checked by inspection.

11.2 * Fire prevention

11.2.1 * Strength and rigidity required to prevent fire in ME EQUIPMENT

ENCLOSURES shall have the strength and rigidity necessary to avoid a fire that could occur as a result of a total or partial collapse caused by reasonably foreseeable misuse.

Compliance is checked by the mechanical strength tests for ENCLOSURES (see 15.3).

11.2.2 * ME EQUIPMENT and ME SYSTEMS used in conjunction with OXYGEN RICH ENVIRONMENTS

11.2.2.1 RISK of fire in an OXYGEN RICH ENVIRONMENT

In ME EQUIPMENT and ME SYSTEMS, the RISK of fire in an OXYGEN RICH ENVIRONMENT shall be reduced as far as possible under NORMAL CONDITION or SINGLE FAULT CONDITIONS (as identified in 11.2.3). An unacceptable RISK of fire is considered to exist in an OXYGEN RICH ENVIRONMENT when a source of ignition is in contact with ignitable material and there is no means that would limit the spread of a fire.

NOTE 1 For oxygen concentrations up to 25 % at one atmosphere or partial pressures up to 27,5 kPa for higher atmospheric pressures, the requirements in 13.1.1 are considered to be sufficient.

a) * A source of ignition is considered to exist in an OXYGEN RICH ENVIRONMENT when any of the following conditions exist in NORMAL CONDITION and SINGLE FAULT CONDITIONS (including voltage and current):

- 1) the temperature of the material is raised to its ignition temperature;
- 2) temperatures could affect solder or solder joints causing loosening, short circuiting or other failures that could result in sparking or raising the temperature of the material to its ignition temperature;

- 3) parts affecting safety crack or change their outer shape exposing temperatures exceeding 300 °C or sparks (see 4) and 5) below) due to overheating;
- 4) temperatures of parts or components could exceed 300 °C;
- 5) sparks provide adequate energy for ignition by exceeding the limits of Figure 35 to Figure 37 (inclusive).

Items 4) and 5) address the worst case where the atmosphere is 100 % oxygen, the contact material (for item 5) is solder and the fuel is cotton. Available fuels and oxygen concentrations should be taken into consideration when applying these specific requirements. Where deviations from these worst case limits are made (based on lower oxygen concentrations or less flammable fuels) they shall be justified and documented in the RISK MANAGEMENT FILE.

As an alternative to 11.2.2.1 a) 5), the following test may be used to determine whether a source of ignition exists.

First, the place(s) within the ME EQUIPMENT where sparking might cause ignition are identified. Then the material(s) of the parts between which sparks can occur is identified. Samples of the same material are then used to construct the contact pins for the test apparatus (see Figure 34).

Other parameters for the test are: oxygen concentration, fuel, electrical parameters (current, voltage, capacitance, inductance or resistance). These parameters are chosen such that they represent the worst case for the ME EQUIPMENT.

NOTE 2 For ME EQUIPMENT that includes a circuit not addressed in Figure 35 to Figure 37 (inclusive), either the test voltage or current may be set at three times the worst case values with the other parameter set at the worst case value for determining whether ignition can occur.

Two contact pins made of the material to be considered are placed in opposition (see Figure 34). One pin has a diameter of 1 mm, the other of 3 mm. The electrical source is connected to the pins as shown in Figure 35 to Figure 37. A piece of cotton is placed close to the contact surfaces of the two pins. The contacts are constantly flushed by oxygen with a speed of less than 0,5 m/s via a tube. The cathode is moved to the anode to close the contacts and pulled back to open them again. A minimum of 300 trials has to be performed before it can be decided that the sparks do not ignite. If the sparks get smaller because of bad surfaces of the electrodes, the electrodes are cleaned with a file. If the cotton gets black because it became oxidized then it is replaced. In Figure 36 and Figure 37, the resistance used to control current flowing into the inductor and the time constant for charging the capacitor is chosen such that it has minimal impact on the energy of the spark. This is tested by visual inspection without the capacitor in place or with the inductor shorted.

The situation with the highest voltage or current respectively and no ignition defines the upper limit. A safe upper limit is given by dividing the upper limit of voltage or current respectively with the safety margin factor of three.

NOTE 3 The safety margin factor is considered to cover the uncertainty of sparking experiments and the variability of the underlying parameters like pressure, quality of cotton or of the contact materials.

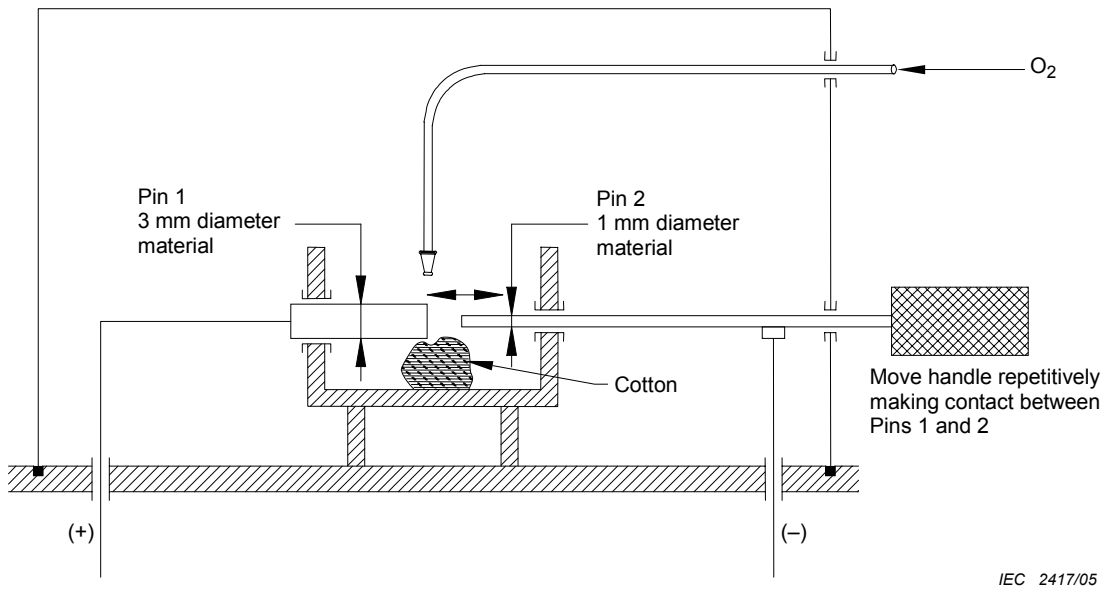


Figure 34 – Spark ignition test apparatus
(see 11.2.2.1)

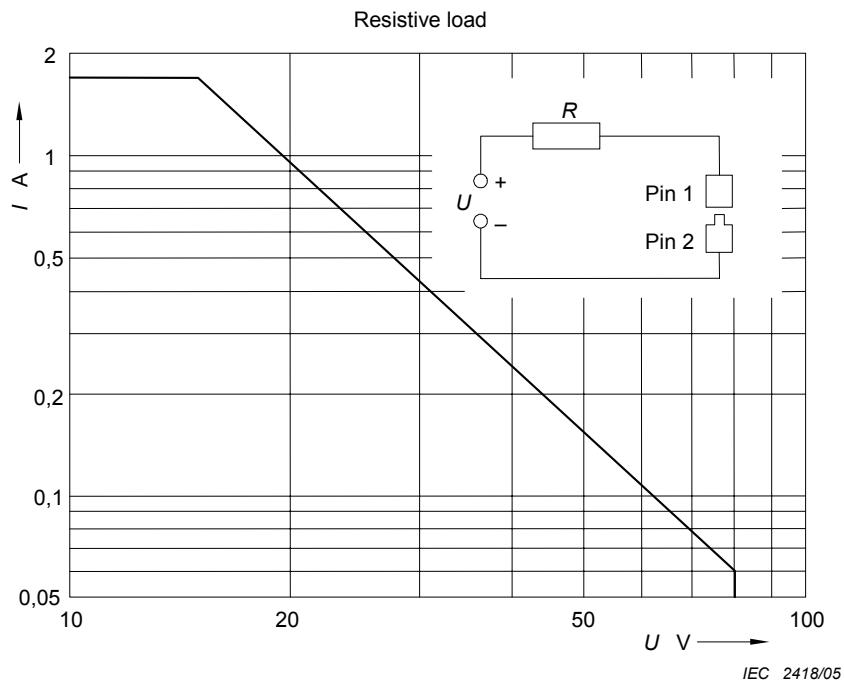


Figure 35 – Maximum allowable current I as a function of the maximum allowable voltage U measured in a purely resistive circuit in an OXYGEN RICH ENVIRONMENT
(see 11.2.2.1)

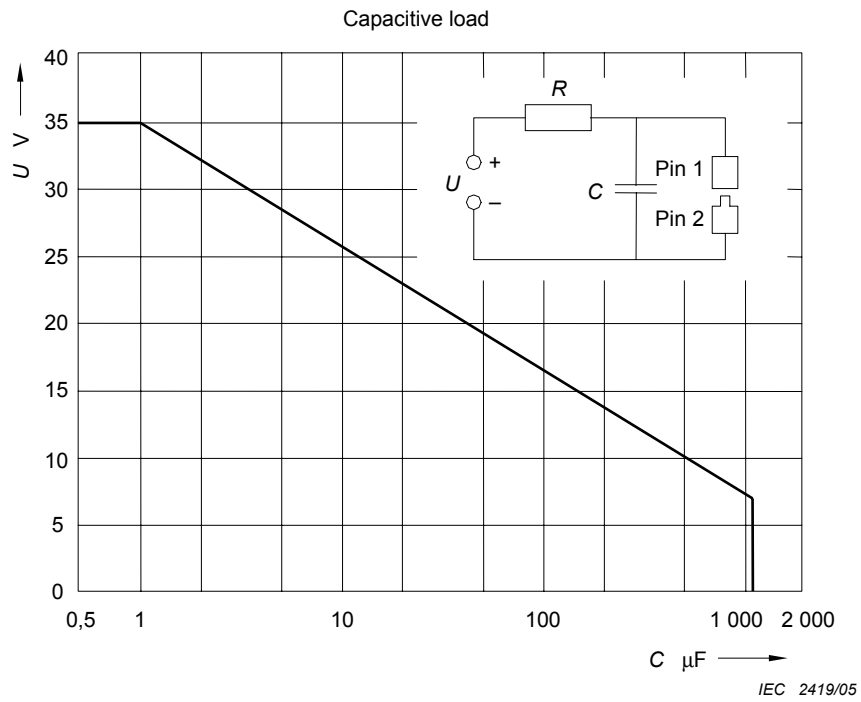


Figure 36 – Maximum allowable voltage U as a function of the capacitance C measured in a capacitive circuit used in an OXYGEN RICH ENVIRONMENT (see 11.2.2.1)

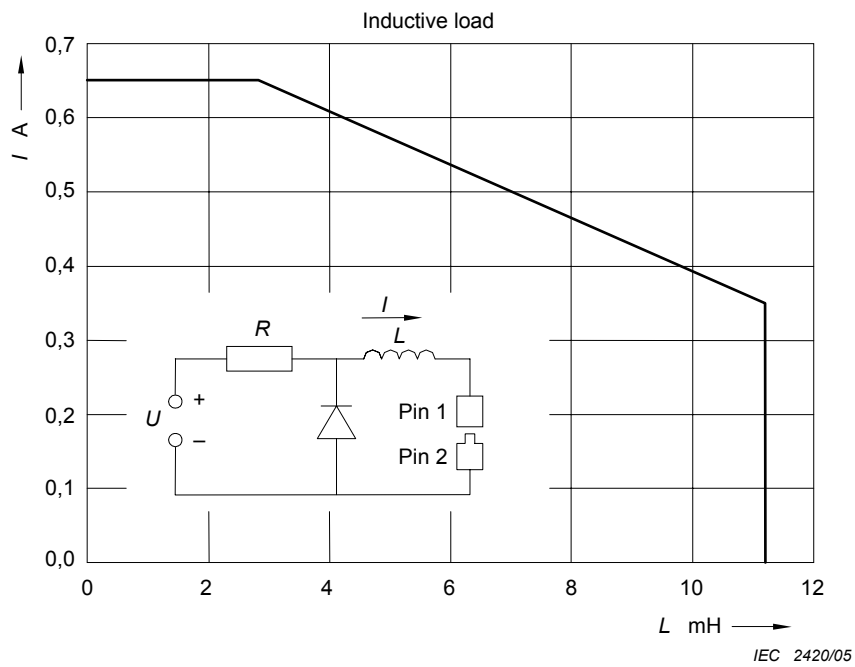


Figure 37 – Maximum allowable current I as a function of the inductance L measured in an inductive circuit in an OXYGEN RICH ENVIRONMENT (see 11.2.2.1)

b) The following configurations, alone or in combination as appropriate (as determined by the application of the RISK MANAGEMENT PROCESS), are considered to provide an acceptable RESIDUAL RISK of fire in an OXYGEN RICH ENVIRONMENT.

- 1) Electrical components in a compartment with an OXYGEN RICH ENVIRONMENT shall have power supplies with limited energy levels. Those energy levels shall be less than those which are considered to be sufficient for ignition (see 11.2.2.1 a)).

Compliance is checked by inspection of the design and measurement or calculation of power, energy and temperature values in NORMAL CONDITION and SINGLE FAULT CONDITION (as identified in 11.2.3).

or

- 2) * Compartments that contain parts or components that can be a source of ignition (as defined in 11.2.2.1 a)) only under SINGLE FAULT CONDITION (as identified in 11.2.3) and that can be penetrated by oxygen (e.g. because of an undetected leak) shall be ventilated such that the oxygen concentration will not exceed 25 %.

Compliance is checked by the following test:

The oxygen concentration is measured for such a period that the highest possible concentration of oxygen occurs. The least favourable control settings are selected. The leaking conditions of oxygen are selected such that they provide the minimum leak that could be detected by the OPERATOR (e.g. because of a failure of the function of the device). If the concentration of oxygen exceeds 25 % in the presence of parts or components that could be a source of ignition including at the moment energy is applied, it constitutes a failure.

or

- 3) * A compartment that contains parts or components that can be a source of ignition (as defined in 11.2.2.1 a)) only under SINGLE FAULT CONDITION (as identified in 11.2.3) IS separated from another compartment that contains an OXYGEN RICH ENVIRONMENT by sealing all joints and any holes for cables, shafts or for other purpose. The effect of possible leaks and failures under SINGLE FAULT CONDITION (as identified in 11.2.3) that could cause ignition shall be evaluated using a RISK ASSESSMENT to determine the appropriate maintenance intervals.

Compliance is checked by visual inspection of the documentation provided by the MANUFACTURER including the RISK MANAGEMENT FILE.

or

- 4) Electrical components in a compartment containing an OXYGEN RICH ENVIRONMENT that can become a source of ignition (as defined in 11.2.2.1 a)) only under SINGLE FAULT CONDITIONS (as identified in 11.2.3) shall be enclosed in such a way that should ignition occur within the ENCLOSURE, the fire would self-extinguish rapidly and no hazardous amount of toxic gases would reach the PATIENT.

Compliance shall be checked by starting a fire in the ENCLOSURE. If it is not evident that toxic gases cannot reach the PATIENT, the gas that could reach the PATIENT is analyzed.

11.2.2.2 * External exhaust outlets for OXYGEN RICH ENVIRONMENT

External exhaust outlets of an OXYGEN RICH ENVIRONMENT shall not be located so that RISK of ignition occurs because of any electrical component (which could cause a spark in NORMAL USE or SINGLE FAULT CONDITION as identified in 11.2.3) mounted on the outside of the ME EQUIPMENT or an ME SYSTEM. RISK of ignition is considered to be sufficiently low if oxygen concentration in the immediate surroundings of the electrical component does not exceed 25 % under the least favourable conditions of operation.

Compliance is checked by inspection.

11.2.2.3 Electrical connections in OXYGEN RICH ENVIRONMENTS

Electrical connections within a compartment containing an OXYGEN RICH ENVIRONMENT under NORMAL USE shall not produce sparks because of loosening or breaking unless they are limited in power and energy to the values identified in 11.2.2.1 a) 5).

Prevention of loosening or breaking is accomplished by the following or equivalent methods.

- Screw-attachments shall be protected against loosening during use by methods such as varnishing, the use of spring washers or application of adequate torques.
- Soldered, crimped and pin-and-socket connections of cables that exit the ENCLOSURE shall include additional mechanical fixing.

Compliance is checked by visual inspection.

11.2.3 SINGLE FAULT CONDITIONS related to OXYGEN RICH ENVIRONMENTS in conjunction with ME EQUIPMENT and ME SYSTEMS

- Failure of a ventilation system constructed in accordance with 11.2.2.1 b) 2).
- Failure of a barrier constructed in accordance with 11.2.2.1 b) 3).
- Failure of a component that creates a source of ignition (as defined in 11.2.2.1 a)).
- Failure of insulation (whether solid material or spacing) providing the equivalent of at least one MEANS OF PATIENT PROTECTION but less than two MEANS OF PATIENT PROTECTION (as described in 8.8 and 8.9) that could create a source of ignition (as defined in 11.2.2.1 a)).
- Failure of a pneumatic component that results in leakage of oxygen-enriched gas.

11.3 * Constructional requirements for fire ENCLOSURES of ME EQUIPMENT

This subclause provides an alternative means of compliance with selected HAZARDOUS SITUATIONS and fault conditions as identified in 13.1.2. In doing so, the following constructional requirements shall be met or specifically analyzed in the RISK MANAGEMENT FILE and if not met, specific justification shall also be given.

- a) Insulated wire within the fire ENCLOSURE shall have a flammability classification equivalent FV-1, or better, according to the appropriate parts of the IEC 60695 series. Connectors, printed circuit boards and insulating material on which components are mounted shall have a flammability classification FV-2, or better, according to IEC 60695-11-10.

Compliance is checked by inspection of data on materials, or by performing the FV tests specified in IEC 60695-11-10 on three samples of the relevant parts being tested. The samples can be any of the following:

- 1) *complete parts; or*
- 2) *sections of a part, including the area with the least wall thickness and any ventilation openings.*

Components certified in accordance with IEC 60695-11-10 need not be tested.

b) The fire ENCLOSURE shall meet the following requirements:

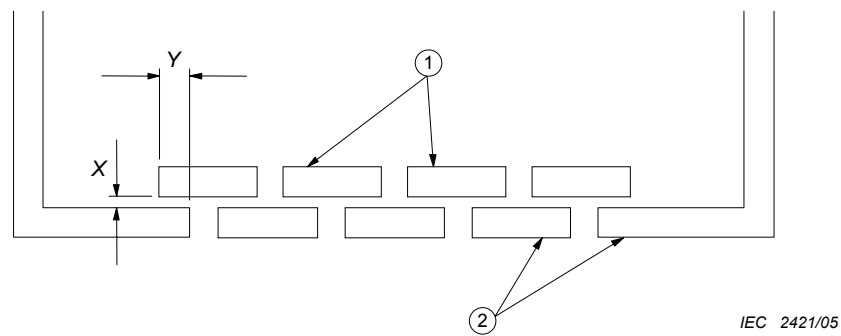
- 1) The bottom shall have no openings or, to the extent specified in Figure 39, shall be constructed with baffles as specified in Figure 38, or be made of metal, perforated as specified in Table 25, or be a metal screen with a mesh not exceeding 2 mm × 2 mm centre to centre and a wire diameter of at least 0,45 mm.
- 2) The sides shall have no openings within the area that is included within the inclined line C in Figure 39.
- 3) The ENCLOSURE, and any baffle or flame barrier, shall be made of metal (except magnesium) or of non-metallic materials, except for constructions according to Table 25 and constructions with a mesh, having a flammability classification of FV-2 (or better) for TRANSPORTABLE ME EQUIPMENT and FV-1 (or better) for FIXED ME EQUIPMENT or STATIONARY ME EQUIPMENT in accordance with IEC 60695-11-10.

The ENCLOSURE, and any baffle or flame barrier, shall have adequate rigidity.

Conformity is checked by inspection. In case of doubt, the flammability classification of requirement b) 3) is checked as in a).

Table 25 – Acceptable perforation of the bottom of an ENCLOSURE

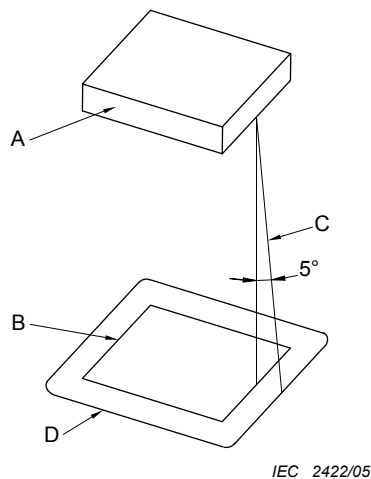
Minimum thickness mm	Maximum diameter of holes mm	Minimum spacing of holes centre to centre mm
0,66	1,14	1,70 (233 holes/645 mm ²)
0,66	1,19	2,36
0,76	1,15	1,70
0,76	1,19	2,36
0,81	1,91	3,18 (72 holes/645 mm ²)
0,89	1,90	3,18
0,91	1,60	2,77
0,91	1,98	3,18
1,00	1,60	2,77
1,00	2,00	3,00



$Y = \text{twice } X \text{ but never less than } 25 \text{ mm}$

- ① Baffle plates (may be below the bottom of the ENCLOSURE)
- ② Bottom of the ENCLOSURE

Figure 38 – Baffle
(see 11.3)



Key

- A Part or component of the ME EQUIPMENT that is considered to be a source of fire. This consists of an entire component or part of the ME EQUIPMENT if it is not otherwise shielded, or the unshielded portion of a component that is partially shielded by its casing.
- B Projection of the outline of A on the horizontal plane.
- C Inclined line that traces out the minimum area of the bottom and sides to be constructed as specified in 11.3 b) 1) and 11.3 b) 2). This line projects at a 5° angle from the vertical at every point around the perimeter of A and is oriented so as to trace out the maximum area.
- D Minimum area of the bottom to be constructed as specified in 11.3 b) 1).

Figure 39 – Area of the bottom of an ENCLOSURE as specified in 11.3 b) 1)
(see 11.3)

11.4 * ME EQUIPMENT and ME SYSTEMS intended for use with flammable anaesthetics

ME EQUIPMENT, ME SYSTEMS or their parts described in the ACCOMPANYING DOCUMENTS for use with flammable anaesthetics (CATEGORY AP) or flammable anaesthetics with oxidants (CATEGORY APG) shall meet the applicable requirements of Annex G.

11.5 * ME EQUIPMENT and ME SYSTEMS intended for use in conjunction with flammable agents

The MANUFACTURER'S RISK MANAGEMENT PROCESS shall address the possibility of fire and associated mitigations.

Compliance is determined by inspection of the RISK MANAGEMENT FILE.

11.6 Overflow, spillage, leakage, ingress of water or particulate matter, cleaning, disinfection, sterilization and compatibility with substances used with the ME EQUIPMENT**11.6.1 General**

The construction of ME EQUIPMENT and ME SYSTEMS shall ensure a sufficient degree of protection against overflow, spillage, leakage, ingress of water or particulate matter, cleaning, disinfection and sterilization as well as compatibility with substances used with the ME EQUIPMENT.

11.6.2 * Overflow in ME EQUIPMENT

If ME EQUIPMENT incorporates a reservoir or liquid storage chamber that is liable to be overfilled or to overflow in NORMAL USE, liquid overflowing from the reservoir or chamber shall not wet any MEANS OF PROTECTION that is liable to be adversely affected by such a liquid, nor shall an unacceptable RISK be created. Unless restricted by a marking or by the instructions for use, no HAZARDOUS SITUATION (as specified herein) or unacceptable RISK due to overflow shall develop if TRANSPORTABLE ME EQUIPMENT is tilted through an angle of 15°.

Compliance is checked by filling the liquid reservoir completely and subsequently adding a further quantity equal to 15 % of the capacity of the reservoir, which is poured in steadily over a period of 1 min.

TRANSPORTABLE ME EQUIPMENT is subsequently tilted through an angle of 15° in the least favourable direction(s) (if necessary with refilling) starting from the position of NORMAL USE.

After these PROCEDURES, the ME EQUIPMENT is to pass the appropriate dielectric strength and LEAKAGE CURRENT tests and is to show no signs of wetting of uninsulated electrical parts or electrical insulation of parts that could result in a HAZARDOUS SITUATION.

11.6.3 * Spillage on ME EQUIPMENT and ME SYSTEM

ME EQUIPMENT and ME SYSTEMS requiring the handling of liquids in NORMAL USE shall be so constructed that spillage does not wet parts that could result in a HAZARDOUS SITUATION.

Compliance is checked by the following test:

The ME EQUIPMENT is positioned according to 5.4 a). A quantity of liquid is poured steadily on a point on the top of the ME EQUIPMENT. The type of liquid, volume, duration of the spill, and location (point) are determined through application of the RISK MANAGEMENT PROCESS. All test conditions are identified through inspection of the RISK MANAGEMENT FILE.

After these PROCEDURES, the ME EQUIPMENT is to pass the appropriate dielectric strength and LEAKAGE CURRENT tests and is to show no signs of wetting of uninsulated electrical parts or electrical insulation of parts that could result in a HAZARDOUS SITUATION.

11.6.4 * Leakage

See 13.2.6.

11.6.5 * Ingress of water or particulate matter into ME EQUIPMENT and ME SYSTEMS

ENCLOSURES of ME EQUIPMENT and ME SYSTEMS designed to give a specified degree of protection against harmful ingress of water or particulate matter shall provide this protection in accordance with the classification of IEC 60529. See also 7.2.9.

Compliance is checked by the tests of IEC 60529 with the ME EQUIPMENT placed in the least favourable position of NORMAL USE and by inspection.

After these PROCEDURES, the ME EQUIPMENT is to show no signs of bridging of insulation (or electrical components) that could result in a HAZARDOUS SITUATION in NORMAL CONDITION or in combination with a SINGLE FAULT CONDITION (based on a visual inspection) followed by the appropriate dielectric strength and LEAKAGE CURRENT tests.

11.6.6 Cleaning and disinfection of ME EQUIPMENT and ME SYSTEMS

ME EQUIPMENT, ME SYSTEMS and their parts, including APPLIED PARTS and ACCESSORIES, shall be capable of withstanding, without damage or deterioration of safety provisions, the cleaning or disinfection PROCESSES specified in the instructions for use. See also 7.9.2.12.

The MANUFACTURER shall evaluate the effects of multiple cleanings/disinfections during the EXPECTED SERVICE LIFE of the ME EQUIPMENT, ME SYSTEM, their parts and ACCESSORIES and assure that no unacceptable RISK will occur. The results of the evaluation shall be documented in the RISK MANAGEMENT FILE.

Where compliance with this standard could be affected by cleaning or disinfecting the ME EQUIPMENT, ME SYSTEM and their parts and ACCESSORIES, they are cleaned or disinfected once in accordance with the methods specified including any cooling or drying period. After these PROCEDURES, the ME EQUIPMENT, ME EQUIPMENT parts or ACCESSORIES are to show no signs of deterioration that could result in an unacceptable RISK (visual inspection) followed by the appropriate dielectric strength and LEAKAGE CURRENT tests. The RISK MANAGEMENT FILE is inspected to verify that the MANUFACTURER has evaluated the affects of multiple cleanings.

11.6.7 Sterilization of ME EQUIPMENT and ME SYSTEMS

ME EQUIPMENT, ME SYSTEMS and their parts or ACCESSORIES intended to be sterilized shall be assessed and documented according to ISO 11134, ISO 11135 or ISO 11137 as appropriate. See also 7.9.2.12.

After these PROCEDURES, the ME EQUIPMENT, ME SYSTEM and their parts or ACCESSORIES are to show no signs of deterioration that could result in an unacceptable RISK (visual inspection) followed by the appropriate dielectric strength and LEAKAGE CURRENT tests and by inspection of the RISK MANAGEMENT FILE.

11.6.8 * Compatibility with substances used with the ME EQUIPMENT

When applicable, the MANUFACTURER shall address in the RISK MANAGEMENT PROCESS the RISKS associated with compatibility with substances used with the ME EQUIPMENT.

Compliance is checked by inspection of the RISK MANAGEMENT FILE.

11.7 Biocompatibility of ME EQUIPMENT and ME SYSTEMS

ME EQUIPMENT, ME SYSTEM and their parts or ACCESSORIES intended to come into direct or indirect contact with biological tissues, cells or body fluids shall be assessed and documented according to the guidance and principles given in the ISO 10993 series of standards.

Compliance is checked by inspection of the information provided by the MANUFACTURER.

11.8 * Interruption of the power supply / SUPPLY MAINS to ME EQUIPMENT

ME EQUIPMENT shall be so designed that an interruption and restoration of the power supply shall not result in a HAZARDOUS SITUATION other than interruption of its intended function.

NOTE This can require testing at several durations and ME EQUIPMENT states.

Compliance is checked by interruption and restoration of relevant power supplies.

12 * Accuracy of controls and instruments and protection against hazardous outputs

12.1 Accuracy of controls and instruments

When applicable, the MANUFACTURER shall address in the RISK MANAGEMENT PROCESS the RISKS associated with accuracy of controls and instruments.

Compliance is checked by inspection of the RISK MANAGEMENT FILE.

12.2 USABILITY

The MANUFACTURER shall address in a USABILITY ENGINEERING PROCESS the RISK of poor USABILITY, including those associated with identification, marking and documents (see 7.1.1 and 16.2). See IEC 60601-1-6 and also see 1.3.

Compliance is checked by inspection of the results of the USABILITY ENGINEERING PROCESS.

12.3 Alarm systems

When applicable, the MANUFACTURER shall address in the RISK MANAGEMENT PROCESS the need for alarm systems as a means of RISK CONTROL and address any RISKS associated with the operation or failure of the alarm system. See IEC 60601-1-8 and also see 1.3.

Compliance is checked by inspection of the RISK MANAGEMENT FILE.

12.4 Protection against hazardous output

12.4.1 * Intentional exceeding of safety limits

When applicable, the MANUFACTURER shall address in the RISK MANAGEMENT PROCESS the RISKS associated with hazardous output arising from the intentional exceeding of safety limits.

Compliance is checked by inspection of the RISK MANAGEMENT FILE.

12.4.2 Indication of parameters relevant to safety

When applicable, the MANUFACTURER shall address in the RISK MANAGEMENT PROCESS the need for the indication of parameters that are associated with hazardous output.

EXAMPLE Prior to the delivery of energy or substances to a PATIENT the energy, rate or volume should be indicated quantitatively.

Compliance is checked by inspection of the RISK MANAGEMENT FILE.

12.4.3 * Accidental selection of excessive output values

Where ME EQUIPMENT is a multi-purpose unit designed for providing both low-intensity and high-intensity outputs for different treatments, the MANUFACTURER shall address in the RISK MANAGEMENT PROCESS the RISKS associated with accidental selection of excessive output values.

Compliance is checked by inspection of the RISK MANAGEMENT FILE.

12.4.4 Incorrect output

When applicable, the MANUFACTURER shall address in the RISK MANAGEMENT PROCESS the RISKS associated with incorrect output.

EXAMPLE The RISKS associated with incorrect delivery of energy or substances to a PATIENT can be addressed by providing an alarm to alert the OPERATOR to any significant departure from the set level of delivery.

Compliance is checked by inspection of the RISK MANAGEMENT FILE.

12.4.5 Diagnostic or therapeutic radiation

12.4.5.1 Limits

For ME EQUIPMENT designed to produce radiation for diagnostic or therapeutic purposes, adequate provisions shall be made to protect PATIENTS, OPERATORS, other persons and sensitive devices in the vicinity, from unwanted or excessive radiation emitted by the ME EQUIPMENT.

NOTE Radiation from ME EQUIPMENT intended for application to PATIENTS for diagnostic or therapeutic purpose under medical supervision could exceed limits normally acceptable for the population as a whole.

As appropriate, particular standards shall specify requirements, limits and compliance tests to ensure radiation safety.

12.4.5.2 Diagnostic X-ray equipment

When applicable, the MANUFACTURER shall address in the RISK MANAGEMENT PROCESS the RISKS associated with diagnostic X-rays. See IEC 60601-1-3 and also see 1.3.

Compliance is checked by inspection of the RISK MANAGEMENT FILE.

12.4.5.3 Radiotherapy equipment

When applicable, the MANUFACTURER shall address in the RISK MANAGEMENT PROCESS the RISKS associated with radiotherapy.

Compliance is checked by inspection of the RISK MANAGEMENT FILE.

12.4.5.4 Other ME EQUIPMENT producing diagnostic or therapeutic radiation

When applicable, the MANUFACTURER shall address in the RISK MANAGEMENT PROCESS the RISKS associated with ME EQUIPMENT producing diagnostic or therapeutic radiation other than for diagnostic X-rays and radiotherapy (see 12.4.5.2 and 12.4.5.3).

Compliance is checked by inspection of the RISK MANAGEMENT FILE.

12.4.6 Diagnostic or therapeutic acoustic pressure

When applicable, the MANUFACTURER shall address in the RISK MANAGEMENT PROCESS the RISKS associated with diagnostic or therapeutic acoustic pressure.

Compliance is checked by inspection of the RISK MANAGEMENT FILE.

13 * HAZARDOUS SITUATIONS and fault conditions

13.1 Specific HAZARDOUS SITUATIONS

13.1.1 * General

When applying the SINGLE FAULT CONDITIONS as described in 4.7 and listed in 13.2, one at a time, none of the HAZARDOUS SITUATIONS in 13.1.2 to 13.1.4 (inclusive) shall occur in the ME EQUIPMENT.

The failure of any one component at a time, which could result in a HAZARDOUS SITUATION, is described in 4.7.

13.1.2 * Emissions, deformation of ENCLOSURE or exceeding maximum temperature

The following HAZARDOUS SITUATIONS shall not occur:

- emission of flames, molten metal, poisonous or ignitable substance in hazardous quantities;
- deformation of ENCLOSURES to such an extent that compliance with 15.3.1 is impaired;
- temperatures of APPLIED PARTS exceeding the allowed values identified in Table 24 when measured as described in 11.1.3;
- temperatures of ME EQUIPMENT parts that are not APPLIED PARTS but are likely to be touched, exceeding the allowable values in Table 23 when measured and adjusted as described in 11.1.3;
- exceeding the allowable values for “other components and materials” identified in Table 22 times 1,5 minus 12,5 °C. Limits for windings are found in Table 26, Table 27 and Table 31. In all other cases, the allowable values of Table 22 apply.

Temperatures shall be measured using the method described in 11.1.3.

The SINGLE FAULT CONDITIONS in 4.7, 8.1 b), 8.7.2 and 13.2.2, with regard to the emission of flames, molten metal or ignitable substances, shall not be applied to parts and components where:

- The construction or the supply circuit limits the power dissipation in SINGLE FAULT CONDITION to less than 15 W or the energy dissipation to less than 900 J.

Compliance is checked by drawing 15 W from the supply circuit for 1 min. If, after 1 min. the supply circuit can not supply 15 W, the circuit shall be considered to limit power dissipation to less than 15 W. The related design documentation is also reviewed.

or

- They are completely contained within a fire ENCLOSURE.

Compliance is checked by inspection and evaluation of the design documentation to assure that the ENCLOSURE is constructed in accordance with 11.3.

NOTE The tests according to this subclause should be performed in the sequence indicated in Annex B.

After the tests of this clause, THERMAL CUT-OUTS and OVER-CURRENT RELEASES are inspected to determine that their setting has not changed (by heating, vibration or other causes) sufficiently to affect their safety function.

13.1.3 Exceeding LEAKAGE CURRENT or voltage limits

The following HAZARDOUS SITUATIONS shall not occur:

- exceeding the limits for LEAKAGE CURRENT in SINGLE FAULT CONDITION as indicated in 8.7.3;
- exceeding the voltage limits for the ACCESSIBLE PARTS including APPLIED PARTS indicated in 8.4.2.

13.1.4 Specific MECHANICAL HAZARDS

For specific MECHANICAL HAZARDS, see 9.1 to 9.8 (inclusive).

13.2 SINGLE FAULT CONDITIONS

13.2.1 General

During the application of the SINGLE FAULT CONDITIONS listed in 13.2.2 to 13.2.13 (inclusive), the NORMAL CONDITIONS identified in 8.1 a) shall also be applied in the least favourable combination.

13.2.2 Electrical SINGLE FAULT CONDITION

Requirements and tests relating to this SINGLE FAULT CONDITION are found in 8.1.

13.2.3 Overheating of transformers in ME EQUIPMENT

Requirements and tests relating to this SINGLE FAULT CONDITION are found in 15.5.

13.2.4 Failure of THERMOSTATS

Requirements and tests relating to this SINGLE FAULT CONDITION are found in 13.2.13 and 15.4.2 for overloading situations.

THERMOSTATS are short circuited or interrupted, whichever is less favourable.

13.2.5 Failure of temperature limiting devices

Requirements and tests relating to this SINGLE FAULT CONDITION are found in 13.2.13 and 15.4.2 for overloading situations.

THERMOSTATS are short circuited or interrupted, whichever is less favourable.

13.2.6 Leakage of liquid

ME EQUIPMENT shall be so constructed that liquid that might escape in a SINGLE FAULT CONDITION does not result in an unacceptable RISK.

Since only small amounts of liquid will escape when they leak, sealed rechargeable batteries are exempted from this requirement.

A RISK MANAGEMENT PROCESS shall be used to determine the appropriate test conditions for the ME EQUIPMENT.

Compliance is checked by inspection of the RISK MANAGEMENT FILE.

13.2.7 Impairment of cooling that could result in a HAZARD

ME EQUIPMENT shall be so designed that it remains SINGLE FAULT SAFE during the failure of cooling systems to operate as intended.

Impairments of cooling that can occur are simulated, for example:

- *single ventilation fans are locked consecutively;*
- *ventilation through openings in top and sides is impaired by covering of openings in the top of the ENCLOSURE or positioning of ME EQUIPMENT against walls;*
- *blocking of filters is simulated;*
- *the flow of a cooling agent is interrupted.*

Temperatures that exceed the limits set in 13.1.2 constitute a failure.

Compliance is checked utilizing the test methods of 11.1, which are applied as far as possible.

13.2.8 Locking of moving parts

ME EQUIPMENT shall be so designed that it remains SINGLE FAULT SAFE when moving parts become jammed.

Moving parts are locked if ME EQUIPMENT:

- *has moving ACCESSIBLE PARTS including APPLIED PARTS liable to be jammed, or*
- *is liable to be operated while unattended (this includes ME EQUIPMENT that is automatically or remotely controlled), or*
- *has one or more motors with a locked rotor torque smaller than the full load torque.*

If ME EQUIPMENT has more than one moving part as described above, only one part at a time is locked. If a SINGLE FAULT CONDITION can lock multiple motors, then all motors are locked simultaneously. For further test criteria see 13.2.10.

13.2.9 * Interruption and short circuiting of motor capacitors

ME EQUIPMENT shall be so designed that it remains SINGLE FAULT SAFE during the short circuit and open circuit of motor capacitors.

Compliance is checked by performing the following test:

Motors with a capacitor in the circuit of an auxiliary winding are operated according to 13.2.10 with a locked rotor, with the capacitor short circuited or open circuited in turn. Capacitor voltages are measured with one side disconnected (open circuit). A measured voltage that exceeds the RATED value constitutes a failure.

The test with a short-circuited capacitor is not performed if the motor is provided with a capacitor complying with IEC 60252-1 and the ME EQUIPMENT is not intended for unattended use (including automatic or remote control).

For additional test criteria, see 13.2.10.

13.2.10 * Additional test criteria for motor operated ME EQUIPMENT

For every test in the SINGLE FAULT CONDITION of 13.2.8 and 13.2.9, taking into account the exemptions stated in 13.1.2, motor-operated ME EQUIPMENT is operated starting from COLD CONDITION, at RATED voltage or at the upper limit of the RATED voltage range for the following periods of time:

a) 30 s for:

- *HAND-HELD ME EQUIPMENT;*
- *ME EQUIPMENT that has to be kept switched on by hand;*
- *ME EQUIPMENT that has to be kept under physical load by hand;*

b) 5 min for other ME EQUIPMENT intended only for attended use (attended use excludes automated or remotely controlled ME EQUIPMENT that could operate when the OPERATOR is not present);

c) for the maximum period of a timer, if such a device terminates the operation, for ME EQUIPMENT not listed under a) or b);

d) as long as necessary to establish THERMAL STABILITY for all the remaining ME EQUIPMENT.

Temperatures of windings are determined at the end of the specified test periods or at the instant of operation of fuses, THERMAL CUT-OUTS, motor protective devices and the like.

Temperatures are measured as specified in 11.1.3 d).

Temperatures that exceed the limits of Table 26 constitute a failure.

13.2.11 Failures of components in ME EQUIPMENT used in conjunction with OXYGEN RICH ENVIRONMENTS

Requirements and tests relating to these SINGLE FAULT CONDITIONS are found in 11.2.2.

13.2.12 Failure of parts that might result in a MECHANICAL HAZARD

Requirements and tests relating to these SINGLE FAULT CONDITIONS are found in Clause 9 and 15.3.

Table 26 – * Temperature limits of motor windings

Temperature in °C

Type of ME EQUIPMENT	Insulation class				
	Class A	Class B	Class E	Class F	Class H
ME EQUIPMENT provided with a timer and not intended for unattended use and ME EQUIPMENT to be operated for 30 s or 5 min	200	225	215	240	260
Other ME EQUIPMENT					
– if impedance-protected, maximum value	150	175	165	190	210
– if protected by protection devices that operate during the first hour, maximum value	200	225	215	240	260
– after the first hour, maximum value	175	200	190	215	235
– after the first hour, arithmetic average	150	175	165	190	210
NOTE The temperature limits in this table were derived from IEC 61010-1:2001 [22].					

13.2.13 * Overload**13.2.13.1 * General overload test conditions**

After the tests of 13.2.13.2 to 13.2.13.4 (inclusive), ME EQUIPMENT, when cooled down to approximately room temperature, shall remain safe.

Compliance is determined by inspection of the ME EQUIPMENT or the appropriate tests (such as dielectric strength of motor insulation according to 8.8.3).

For insulation of thermoplastic materials that is relied upon as a MEANS OF PROTECTION (see 8.8), the ball-pressure test specified in 8.8.4.1 a) is performed at a temperature 25 °C higher than the temperature of the insulation measured during the tests of 13.2.13.2 to 13.2.13.4 (inclusive).

13.2.13.2 ME EQUIPMENT with heating elements

a) ME EQUIPMENT having heating elements is checked for compliance as follows:

- 1) for thermostatically controlled ME EQUIPMENT having heating elements that is intended for built-in or for unattended operation or that has a capacitor not protected by a fuse or the like connected in parallel with the contacts of the THERMOSTAT: by the tests of 13.2.13.2 b) and 13.2.13.2 c);
- 2) for ME EQUIPMENT having heating elements RATED for non-CONTINUOUS OPERATION: by the tests of 13.2.13.2 b) and 13.2.13.2 c);
- 3) for other ME EQUIPMENT having heating elements: by the test of 13.2.13.2 b).

If more than one of the tests is applicable to the same ME EQUIPMENT, these tests are performed consecutively.

If, in any of the tests, a non-SELF-RESETTING THERMAL CUT-OUT operates, a heating element or an intentionally weak part ruptures, or if the current is otherwise interrupted before THERMAL STABILITY is established without the possibility of automatic restoration, the heating period is ended. However, if the interruption is due to the rupture of a heating element or of an intentionally weak part, the test is repeated on a second sample. Open circuiting of a heating element or of an intentionally weak part in the second sample does not in itself entail a failure to comply. However, if either sample fails to comply with the conditions specified in 13.1.2, it constitutes a failure.

- b) *ME EQUIPMENT having heating elements is tested under the conditions specified in 11.1, but without adequate heat discharge, the supply voltage being 90 % or 110 % of the RATED supply voltage, whichever is the least favourable.*

If a non-SELF-RESETTING THERMAL CUT-OUT operates, or if the current is otherwise interrupted without the possibility of automatic restoration before THERMAL STABILITY is established, the operating period is ended. If interruption of the current does not occur, ME EQUIPMENT is switched off as soon as THERMAL STABILITY is established and is allowed to cool to approximately room temperature.

For ME EQUIPMENT RATED for non-CONTINUOUS OPERATION, the duration of the test is equal to the RATED operating time.

- c) *Heating parts of ME EQUIPMENT are tested with the ME EQUIPMENT operated in NORMAL CONDITION, at a supply voltage 110 % of the RATED supply voltage and as specified in 11.1. The following test conditions are met.*
- 1) *Any control that serves to limit the temperature in NORMAL CONDITION, except a THERMAL CUT-OUT, is disabled.*
 - 2) *If the ME EQUIPMENT is provided with more than one control, they are disabled in turn.*
 - 3) *The ME EQUIPMENT is operated at the RATED DUTY CYCLE until THERMAL STABILITY is achieved, irrespective of the RATED operating time.*

13.2.13.3 ME EQUIPMENT with motors

- a) *ME EQUIPMENT having motors is checked for compliance as follows:*

- 1) *For the motor part of the ME EQUIPMENT, compliance is checked by the tests of 13.2.8 to 13.2.10 (inclusive), 13.2.13.3 b), 13.2.13.3 c) and 13.2.13.4, as applicable. For motors located in circuits with a voltage not exceeding 42,4 V peak a.c. or 60 V d.c. and where difficulty is experienced in obtaining accurate temperature measurements due to the small size or design of the motor, it is permitted to use the following test instead of temperature measurement in order to determine compliance with 13.2.9 and 13.2.10.*

The motor is covered with a single layer of cheesecloth with the following characteristics:

- *bleached cotton material;*
- *26–28 m² per kg mass; and*
- *13 threads per cm in one direction and 11 threads per cm in the other.*

Ignition of the cheesecloth during the test or at its conclusion constitutes a failure.

- 2) *For ME EQUIPMENT that also contains heating parts, the tests are performed at the prescribed voltage, with the motor part and the heating part operated simultaneously so as to produce the least favourable condition.*
- 3) *If more than one of the tests is applicable for the same ME EQUIPMENT, these tests are performed consecutively.*

b) *Motors are checked for running overload protection if they are:*

- 1) *intended to be remotely controlled or automatically controlled (by a single control device without redundant protection), or*
- 2) *likely to be subjected to CONTINUOUS OPERATION whilst unattended.*

Compliance is determined by operating the ME EQUIPMENT under normal load conditions at RATED voltage or at the maximum of the RATED voltage range, until THERMAL STABILITY is achieved (see 11.1.3).

The load is then increased so that the current is increased in appropriate steps, the supply voltage being maintained at its original value.

When THERMAL STABILITY is established, the load is again increased. The load is thus progressively increased in appropriate steps until the overload protection operates, or until no further temperature rise is noted.

The motor winding temperature is determined during each steady period. If the maximum value recorded exceeds the value in Table 27, it constitutes a failure.

Table 27 – Maximum motor winding steady-state temperature

Insulation class	Maximum temperature °C
A	140
B	165
E	155
F	180
H	200

If the load cannot be changed in appropriate steps in ME EQUIPMENT, the motor is removed from the ME EQUIPMENT in order to perform the test.

The running overload test for motors located in circuits with a voltage not exceeding 42,4 V peak a.c. or 60 V d.c. is performed only if a possibility of an overload occurring is determined by inspection or by review of the design. The test need not be performed, for example, where electronic drive circuits maintain a substantially constant drive current.

- c) *ME EQUIPMENT with three-phase motors is operated with normal load, connected to a three-phase (SUPPLY MAINS) with one phase disconnected. Periods of operation are according to 13.2.10.*

13.2.13.4 * ME EQUIPMENT RATED for non-CONTINUOUS OPERATION

ME EQUIPMENT RATED for non-CONTINUOUS OPERATION other than:

- *HAND-HELD ME EQUIPMENT;*
- *ME EQUIPMENT that has to be kept switched on manually;*
- *ME EQUIPMENT that has to be kept under physical load by hand;*
- *ME EQUIPMENT with a timer and a back-up timer system*

is operated under normal load and at RATED voltage or at the upper limit of the RATED voltage range until the peak temperature does not increase by more than 5 °C in one hour, or until any protective device operates.

Motor winding temperatures are determined when THERMAL STABILITY is established or immediately before the operation of the protective device. Motor winding temperatures that exceed the values specified in 13.2.10 constitute a failure.

If in NORMAL USE a load-reducing device in the ME EQUIPMENT operates, the test is continued with the ME EQUIPMENT running idle.

14 * PROGRAMMABLE ELECTRICAL MEDICAL SYSTEMS (PEMS)

14.1 * General

The requirements of this clause shall apply to PEMS unless:

- the PESS provides no BASIC SAFETY or ESSENTIAL PERFORMANCE; or
- the application of ISO 14971 demonstrates that the failure of the PESS does not lead to an unacceptable RISK.

NOTE 1 This clause requires that a PROCESS be followed throughout the PEMS DEVELOPMENT LIFE-CYCLE and that a RECORD of that PROCESS be produced. The concepts of RISK MANAGEMENT and a PEMS DEVELOPMENT LIFE-CYCLE are the basis of such a PROCESS. However, because a RISK MANAGEMENT PROCESS is already required by this standard, this clause will define the minimum elements of the PEMS DEVELOPMENT LIFE-CYCLE and only the additional elements for the PEMS that needs to be considered as part of the RISK MANAGEMENT PROCESS (see 4.2).

NOTE 2 It is recognized that the MANUFACTURER might not be able to follow all the PROCESSES identified in Clause 14 for each constituent component of the PEMS, such as off-the-shelf (OTS) software, subsystems of non-medical origin, and legacy devices. In this case, the MANUFACTURER should take special account of the need for additional RISK CONTROL measures.

Compliance is determined by application of the requirements in 14.2 to 14.13 (inclusive), by inspection of the RISK MANAGEMENT FILE, and assessment of PROCESSES cited in this clause.

NOTE 3 This assessment could be performed by internal audit.

14.2 * Documentation

In addition to the RECORDS and documents required by ISO 14971, the documents produced from application of Clause 14 shall be maintained and shall form part of the RISK MANAGEMENT FILE.

NOTE See Figure H.3 as guidance.

The documents required by Clause 14 shall be reviewed, approved, issued and changed in accordance with a formal document control PROCEDURE.

14.3 * RISK MANAGEMENT plan

The RISK MANAGEMENT plan required by 3.5 of ISO 14971 shall also include a reference to the PEMS VALIDATION plan (see 14.11).

14.4 * PEMS DEVELOPMENT LIFE-CYCLE

A PEMS DEVELOPMENT LIFE-CYCLE shall be documented.

NOTE 1 Clause H.2 explains PEMS DEVELOPMENT LIFE-CYCLE in more detail.

NOTE 2 IEC 62304 [26] defines general requirements for additional PROCESSES and activities specific to software development.

The PEMS DEVELOPMENT LIFE-CYCLE shall include a set of defined milestones.

At each milestone, the activities to be completed and the VERIFICATION methods to be applied to those activities shall be defined.

Each activity shall be defined including its inputs and outputs.

Each milestone shall identify the RISK MANAGEMENT activities that must be completed before that milestone.

The PEMS DEVELOPMENT LIFE-CYCLE shall be tailored for a specific development by making plans which detail activities, milestones and schedules.

The PEMS DEVELOPMENT LIFE-CYCLE shall include documentation requirements.

14.5 * Problem resolution

Where appropriate, a documented system for problem resolution within and between all phases and activities of the PEMS DEVELOPMENT LIFE-CYCLE shall be developed and maintained.

Depending on the type of product, the problem resolution system may:

- be documented as a part of the PEMS DEVELOPMENT LIFE-CYCLE;
- allow the reporting of potential or existing problems affecting BASIC SAFETY or ESSENTIAL PERFORMANCE;
- include an assessment of each problem for associated RISKS;
- identify the criteria that must be met for the issue to be closed;
- identify the action to be taken to resolve each problem.

14.6 RISK MANAGEMENT PROCESS

14.6.1 * Identification of known and foreseeable HAZARDS

When compiling the list of known or foreseeable HAZARDS, the MANUFACTURER shall consider those HAZARDS associated with software and hardware aspects of the PEMS including those associated with NETWORK/DATA COUPLING, components of third-party origin and legacy subsystems.

NOTE In addition to the material given in Annex D of ISO 14971, the list of possible causes for HAZARDS associated with PEMS should include:

- failure of the NETWORK/DATA COUPLING to provide the characteristics necessary for the PEMS to achieve its BASIC SAFETY or ESSENTIAL PERFORMANCE;
- undesired feedback [physical and data] (possibilities include: unsolicited input, out of range or inconsistent input, and input originating from electromagnetic interference);

- unavailable data;
- lack of integrity of data;
- incorrect data;
- incorrect timing of data.
- unintended interactions within and among PESS;
- unknown aspects or quality of third-party software;
- unknown aspects or quality of third-party PESS;
- lack of data security, particularly vulnerability to tampering, unintended interaction with other programs and viruses.

14.6.2 * RISK CONTROL

The following requirements for PEMS supplement Subclause 6.1 of ISO 14971.

Suitably validated tools and PROCEDURES shall be selected and identified to implement each RISK CONTROL measure. These tools and PROCEDURES shall be appropriate to assure that each RISK CONTROL measure satisfactorily reduces the identified RISK(S).

14.7 * Requirement specification

For the PEMS and each of its subsystems (e.g. for a PESS) there shall be a documented requirement specification.

NOTE Example structures of a PEMS are given in H.1.

The requirement specification for a system or subsystem shall include and distinguish any ESSENTIAL PERFORMANCE and any RISK CONTROL measures implemented by that system or subsystem.

14.8 * Architecture

For the PEMS and each of its subsystems, an architecture shall be specified that shall satisfy the requirement specification.

Where appropriate, to reduce the RISK to an acceptable level, the architecture specification shall make use of:

- a) COMPONENTS WITH HIGH-INTEGRITY CHARACTERISTICS;
- b) fail-safe functions;
- c) redundancy;
- d) diversity;
- e) * partitioning of functionality;
- f) defensive design, e.g. limits on potentially hazardous effects by restricting the available output power or by introducing means to limit the travel of actuators.

The architecture specification shall take into consideration:

- g) * allocation of RISK CONTROL measures to subsystems and components of the PEMS;

NOTE Subsystems and components include sensors, actuators, PESS and interfaces.

- h) failure modes of components and their effects;
- i) common cause failures;
- j) systematic failures;

- k) test interval duration and diagnostic coverage;
- l) maintainability;
- m) protection from reasonably foreseeable misuse;
- n) the NETWORK/DATA COUPLING specification, if applicable.

14.9 * Design and implementation

Where appropriate, the design shall be decomposed into subsystems, each having both a design and test specification.

Descriptive data regarding the design environment shall be included in the RISK MANAGEMENT FILE.

NOTE See H.3 for examples of design environment elements.

14.10 * VERIFICATION

VERIFICATION is required for all functions that implement BASIC SAFETY, ESSENTIAL PERFORMANCE OF RISK CONTROL measures.

A VERIFICATION plan shall be produced to show how these functions shall be verified. The plan shall include:

- at which milestone(s) VERIFICATION is to be performed for each function;
- the selection and documentation of VERIFICATION strategies, activities, techniques, and the appropriate level of independence of the personnel performing the VERIFICATION;
- the selection and utilization of VERIFICATION tools;
- coverage criteria for VERIFICATION.

NOTE Examples of methods and techniques are:

- walkthroughs;
- inspections;
- static analysis;
- dynamic analysis;
- white box testing;
- black box testing;
- statistical testing.

The VERIFICATION shall be performed according to the VERIFICATION plan. The results of the VERIFICATION activities shall be documented.

14.11 * PEMS VALIDATION

A PEMS VALIDATION plan shall include the validation of BASIC SAFETY and ESSENTIAL PERFORMANCE, and shall require checks for unintended functioning of the PEMS.

The PEMS VALIDATION shall be performed according to the PEMS VALIDATION plan. The results of PEMS VALIDATION activities shall be documented.

The person having the overall responsibility for the PEMS VALIDATION shall be independent of the design team. The MANUFACTURER shall document the rationale for the level of independence.

No member of a design team shall be responsible for the PEMS VALIDATION of their own design.

All professional relationships of the members of the PEMS VALIDATION team with members of the design team shall be documented in the RISK MANAGEMENT FILE.

A reference to the methods and results of the PEMS VALIDATION shall be included in the RISK MANAGEMENT FILE.

14.12 * Modification

If any or all of a design results from a modification of an earlier design then either all of this clause applies as if it were a new design or the continued validity of any previous design documentation shall be assessed under a documented modification/change PROCEDURE.

14.13 * Connection of PEMS by NETWORK/DATA COUPLING to other equipment

If the PEMS is intended to be connected by NETWORK/DATA COUPLING to other equipment that is outside the control of the PEMS MANUFACTURER, the technical description shall:

- a) specify the characteristics of the NETWORK/DATA COUPLING necessary for the PEMS to achieve its INTENDED USE;
- b) list the HAZARDOUS SITUATIONS resulting from a failure of the NETWORK/DATA COUPLING to provide the specified characteristics;
- c) instruct the RESPONSIBLE ORGANIZATION that:
 - connection of the PEMS to a NETWORK/DATA COUPLING that includes other equipment could result in previously unidentified RISKS to PATIENTS, OPERATORS or third parties;
 - the RESPONSIBLE ORGANIZATION should identify, analyze, evaluate and control these RISKS;
 - subsequent changes to the NETWORK/DATA COUPLING could introduce new RISKS and require additional analysis; and
 - changes to the NETWORK/DATA COUPLING include:
 - changes in NETWORK/DATA COUPLING configuration;
 - connection of additional items to the NETWORK/DATA COUPLING;
 - disconnecting items from the NETWORK/DATA COUPLING;
 - update of equipment connected to the NETWORK/DATA COUPLING;
 - upgrade of equipment connected to the NETWORK/DATA COUPLING.

15 Construction of ME EQUIPMENT

15.1 * Arrangements of controls and indicators of ME EQUIPMENT

When applicable, the MANUFACTURER shall address in the RISK MANAGEMENT PROCESS the RISKS associated with the arrangement of controls and indicators of ME EQUIPMENT.

Compliance is checked by inspection of the RISK MANAGEMENT FILE.

15.2 * Serviceability

Parts of ME EQUIPMENT subject to mechanical wear, electrical and environmental degradation or ageing that could result in an unacceptable RISK if allowed to continue unchecked for too long a period shall be accessible for inspection, replacement and maintenance.

Parts of ME EQUIPMENT that are likely to be replaced or adjusted shall be so located and secured as to permit inspection, servicing, replacement and adjustment without damage to, or interference with, adjacent parts or wiring.

Compliance is checked by inspection of the parts mentioned above in this subclause and of their location.

15.3 Mechanical strength

15.3.1 General

ME EQUIPMENT or its parts shall have adequate mechanical strength and shall not result in an unacceptable RISK due to moulding stress or when subjected to mechanical stress caused by pushing, impact, dropping, and rough handling.

Compliance is checked by application of the tests in Table 28. The tests are not applied to handles, levers, knobs, the face of cathode ray tubes (see 9.5.2), or to transparent or translucent covers of indicating or measuring devices unless with the handle, lever, knob, or cover removed there is an unacceptable RISK of electric shock.

NOTE Examples of damage that can result in unacceptable RISK include the reduction of CREEPAGE DISTANCES and AIR CLEARANCES below those specified in 8.9, access to parts which exceed limits in 8.4, or access to moving parts which could cause HARM.

Assessment criteria that can be useful in determining if the tests in Table 28 have resulted in an unacceptable RISK include:

- those in Clause 8 and 11.6;
- the dielectric strength test as specified in 8.8.3 to evaluate the integrity of solid SUPPLEMENTARY or REINFORCED INSULATION; and
- measurement of CREEPAGE DISTANCES or AIR CLEARANCES to compare the values with the minimum distances specified in 8.9. Small chips that do not adversely affect the protection against electric shock or moisture can normally be ignored.

Table 28 – Mechanical strength test applicability

ME EQUIPMENT type	Test
HAND-HELD	Push (15.3.2)
	Drop (15.3.4.1)
	Moulding stress relief (15.3.6)
PORTABLE	Push (15.3.2)
	Impact (15.3.3)
	Drop (15.3.4.2)
	Moulding stress relief (15.3.6)
MOBILE	Push (15.3.2)
	Impact (15.3.3)
	Rough handling (15.3.5)
	Moulding stress relief (15.3.6)
FIXED or STATIONARY	Push (15.3.2)
	Impact (15.3.3)
	Moulding stress relief (15.3.6)

15.3.2 * Push test

ENCLOSURES of ME EQUIPMENT shall have sufficient rigidity to protect against unacceptable RISK.

Compliance is checked by the following test.

External parts of an ENCLOSURE are subject to a steady force of $250\text{ N} \pm 10\text{ N}$ for a period of 5 s, applied by means of a suitable test tool providing contact over a circular plane surface 30 mm in diameter. However, this test is not applied to the bottom of an ENCLOSURE of ME EQUIPMENT having a mass of more than 18 kg.

After the test, any damage sustained that results in an unacceptable RISK, as determined by inspection of the RISK MANAGEMENT FILE, constitutes a failure.

15.3.3 * Impact test

ENCLOSURES of ME EQUIPMENT shall have sufficient resistance to impact to protect against unacceptable RISK.

Compliance is checked by the following test.

Except for HAND-HELD ME EQUIPMENT and ME EQUIPMENT parts that are HAND-HELD, ENCLOSURES and other external insulating parts, the deterioration of which could result in unacceptable RISK, are tested as indicated below.

A sample consisting of the complete ENCLOSURE, or a portion thereof representing the largest unreinforced area, is supported in its normal position. A solid smooth steel ball, approximately 50 mm in diameter and with a mass of $500\text{ g} \pm 25\text{ g}$, is permitted to fall freely from a 1,3 m height once onto each relevant part of the test sample.

To test vertical surfaces, the steel ball is suspended by a cord and allowed to swing like a pendulum in order to apply a horizontal impact, dropping through a vertical distance of 1,3 m once against each relevant part of the test sample.

The test is not applied to flat panel displays, to the platen glass of ME EQUIPMENT (for example film scanners), or to cathode ray tubes (see 9.5.2).

After the test, any damage sustained that results in an unacceptable RISK, as determined by inspection of the RISK MANAGEMENT FILE, constitutes a failure.

15.3.4 * Drop test

15.3.4.1 HAND-HELD ME EQUIPMENT

HAND-HELD ME EQUIPMENT and ME EQUIPMENT parts that are HAND-HELD shall not result in an unacceptable RISK as a result of a free fall.

Compliance is checked by the following test.

The sample to be tested, with any SAFE WORKING LOAD in place, is allowed to fall freely once from each of three different starting orientations encountered during NORMAL USE from the height at which the ME EQUIPMENT is used (as specified in the ACCOMPANYING DOCUMENTS), or from a height of 1 m, whichever is greater, onto a $50\text{ mm} \pm 5\text{ mm}$ thick hardwood board (hardwood $> 600\text{ kg/m}^3$) lying flat on a concrete or a similar rigid base.

After the test, the HAND-HELD ME EQUIPMENT and ME EQUIPMENT parts that are HAND-HELD shall not result in an unacceptable RISK.

15.3.4.2 * PORTABLE ME EQUIPMENT

PORTABLE ME EQUIPMENT and ME EQUIPMENT parts that are PORTABLE shall withstand the stress caused by a free fall from the height indicated in Table 29 onto a hard surface.

Compliance is checked by the following test.

The sample to be tested, with the SAFE WORKING LOAD in place, is lifted to a height as indicated in Table 29 above a 50 mm ± 5 mm thick hardwood board (for example, > 600 kg/m³) that lies flat on a concrete floor or a similar rigid base. The dimensions of the board are at least those of the sample tested. The sample is dropped three times from each orientation in which it can be placed during NORMAL USE.

Table 29 – Drop height

Mass (m) of PORTABLE ME EQUIPMENT or its parts kg	Drop height cm
$m \leq 10$	5
$10 < m \leq 50$	3
$m > 50$	2

After the test, any damage sustained that results in a unacceptable RISK, as determined by inspection of the RISK MANAGEMENT FILE and inspection of the ME EQUIPMENT or the ME EQUIPMENT parts that are PORTABLE, constitutes a failure.

15.3.5 * Rough handling test

MOBILE ME EQUIPMENT and ME EQUIPMENT parts that are MOBILE shall withstand the stress caused by rough handling and movement and shall not result in an unacceptable RISK.

Compliance is checked by the following tests.

The sample is tested in transport position with any SAFE WORKING LOAD in place and in the most adverse condition permitted in NORMAL USE.

a) Ascending step shock

The sample is pushed three times in its normal direction of travel at a speed of 0,4 m/s ± 0,1 m/s against an ascending hardwood step obstruction with vertical face of 40 mm that is rigidly attached to an otherwise flat floor. The direction of movement is perpendicular to the face of the obstacle. The sample need not go over the 40 mm obstruction.

b) Descending step shock

The sample is pushed three times in its normal direction of travel at a speed of 0,4 m/s ± 0,1 m/s in order to fall over a vertical step having a height of 40 mm affixed flat on a rigid base (e.g. concrete). The direction of movement is perpendicular to the face of the descending step.

During performance of the descending step shock test, if a part other than the castor comes in contact with the obstruction before the castor touches the ground, the ME EQUIPMENT continues to be pushed until it has fully descended.

c) *Door frame shock*

The sample is moved three times in its normal direction of travel at a speed of 0,4 m/s ± 0,1 m/s, or, for motor driven MOBILE ME EQUIPMENT, the maximum speed capable of being maintained, against a hardwood vertical obstacle having a width and thickness of 40 mm affixed to a vertical rigid support (e.g. concrete). The height of the vertical obstacle must be higher than the ME EQUIPMENT contact point(s). The direction of movement is perpendicular to the face of the obstacle.

After each test, any damage sustained that results in an unacceptable RISK, as determined by inspection of the RISK MANAGEMENT FILE and inspection of the ME EQUIPMENT or the ME EQUIPMENT parts that are MOBILE, constitutes a failure.

15.3.6 * Mould stress relief test

ENCLOSURES of moulded or formed thermoplastic materials shall be so constructed that any shrinkage or distortion of the material due to release of internal stresses caused by the moulding or forming operation does not result in an unacceptable RISK.

Compliance is checked by inspection of the construction and available data were appropriate or by the following test.

One sample consisting of the complete ME EQUIPMENT, or of the ENCLOSURE together with any supporting framework, is placed in a circulating air oven at a temperature 10 °C higher than the maximum temperature observed on the ENCLOSURE during the test of 11.1.3, but not less than 70 °C, for a period of 7 h, then permitted to cool to room temperature.

NOTE Relative humidity need not be maintained at a specific value during this conditioning.

For large ME EQUIPMENT where it is not practical to condition a complete ENCLOSURE, it is permitted to use a portion of the ENCLOSURE representative of the complete assembly with regard to thickness and shape, including any mechanical support members.

Any damage that results in an unacceptable RISK constitutes a failure.

15.3.7 * Environmental influences

The selection and treatment of materials used in the construction of ME EQUIPMENT shall take account of the INTENDED USE, the EXPECTED SERVICE LIFE and the conditions for transport and storage.

The ME EQUIPMENT shall be so designed and constructed that during its EXPECTED SERVICE LIFE any corrosion, ageing, mechanical wear, or degradation of biological materials due to the influence of bacteria, plants, animals and the like, shall not reduce its mechanical properties in a way that results in an unacceptable RISK. See also 15.2.

Compliance is checked by inspection:

- of the ME EQUIPMENT, of the ACCOMPANYING DOCUMENTS and of the MANUFACTURER'S specifications of materials used and of the processing specifications for these materials;*
- of the MANUFACTURER'S relevant tests or calculations.*

15.4 ME EQUIPMENT components and general assembly

15.4.1 Construction of connectors

Design and construction of electrical, hydraulic, pneumatic and gas connection terminals and connectors of ME EQUIPMENT shall be such that incorrect connection of accessible connectors, removable without the use of a TOOL, shall be prevented where an unacceptable RISK would otherwise exist. In particular:

- a) Plugs for connection of PATIENT leads shall be so designed that they cannot be connected to other outlets on the same ME EQUIPMENT intended for other functions, unless it can be proven that no unacceptable RISK can result.
- b) Medical gas connections on ME EQUIPMENT for different gases to be operated in NORMAL USE shall not be interchangeable. See also ISO 407 [27].

Compliance is checked by inspection of the RISK MANAGEMENT FILE.

15.4.2 Temperature and overload control devices

15.4.2.1 Application

- a) THERMAL CUT-OUTS and OVER-CURRENT RELEASES with automatic resetting shall not be used in ME EQUIPMENT if their use could result in a HAZARDOUS SITUATION by such resetting.

Compliance is checked by inspection of the RISK MANAGEMENT FILE.

- b) THERMAL CUT-OUTS with a safety function that have to be reset by a soldering operation that can affect the operating value shall not be fitted in ME EQUIPMENT.

Compliance is checked by inspection of the design documentation and the RISK MANAGEMENT FILE.

- c) In ME EQUIPMENT, where a failure of a THERMOSTAT could constitute a HAZARD an independent non-SELF-RESETTING THERMAL CUT-OUT shall additionally be provided. The temperature of operation of the additional device shall be outside that attainable at the extreme setting of the normal control device but shall be within the safe temperature limit for its intended function.

Compliance is checked by inspection of the design documentation and the RISK MANAGEMENT FILE.

- d) Loss of function of the ME EQUIPMENT caused by operation of a THERMAL CUT-OUT or OVER-CURRENT RELEASE shall not result in a HAZARDOUS SITUATION.

Compliance is checked by inspection of the design documentation and the RISK MANAGEMENT FILE.

- e) Capacitors or other spark-suppression devices of ME EQUIPMENT shall not be connected between the contacts of THERMAL CUT-OUTS.

Compliance is checked by inspection.

- f) The use of a THERMAL CUT-OUT or OVER-CURRENT RELEASE in the design shall not affect the safety of the ME EQUIPMENT.

Compliance is checked by inspection and, if applicable, by the following tests.

Verify compliance of positive temperature coefficient devices (PTC's) with IEC 60730-1: 1999, clauses 15, 17, J.15 and J.17 as applicable.

THERMAL CUT-OUTS and OVER-CURRENT RELEASES are tested by operating the ME EQUIPMENT under the conditions described in Clause 13.

SELF-RESETTING THERMAL CUT-OUTS and self-resetting OVER-CURRENT RELEASES including circuits that perform equivalent functions (other than PTC's) are caused to operate 200 times unless approved to the appropriate IEC component standard.

Manual reset THERMAL CUT-OUTS and OVER-CURRENT RELEASES are caused to operate 10 times, if they are not approved to the appropriate IEC component standard (see 4.5) or the MANUFACTURER has not provided adequate data to demonstrate the reliability of the component to perform its safety-related function.

Thermal protection devices can be tested separately from ME EQUIPMENT where engineering judgement indicates that doing so would not impact the test results.

- g) ME EQUIPMENT that incorporates a fluid filled container having heating facilities shall be provided with a protection device to safeguard against overheating in the event of the heater being switched on with the container empty. An unacceptable RISK shall not occur from overheating.

Compliance is checked by operating the relevant ME EQUIPMENT with an empty container until the protection device activates.

- h) ME EQUIPMENT that incorporates tubular heating elements shall have protection against overheating in both leads where a conductive connection to earth could result in overheating.

Compliance is checked by inspection of the design documentation and the RISK MANAGEMENT FILE.

15.4.2.2 Temperature settings

Where means are provided for varying the temperature setting of THERMOSTATS in ME EQUIPMENT, the temperature setting shall be clearly indicated.

Compliance is checked by inspection.

15.4.3 * Batteries

15.4.3.1 Housing

In ME EQUIPMENT, housings containing batteries from which gases that are likely to result in a HAZARD can escape during charging or discharging shall be ventilated to minimize the RISK of accumulation and ignition.

Battery compartments of ME EQUIPMENT shall be designed to prevent accidental short circuiting of the battery where such short circuits could result in a HAZARDOUS SITUATION.

Compliance is checked by inspection of the design documentation and the RISK MANAGEMENT FILE.

15.4.3.2 Connection

If a HAZARDOUS SITUATION might develop by the incorrect connection or replacement of a battery, ME EQUIPMENT shall be fitted with a means of preventing incorrect polarity of connection. See also 7.3.3 and 8.2.2.

Compliance is checked by inspection.

15.4.3.3 Protection against overcharging

Where overcharging of any battery of ME EQUIPMENT could result in an unacceptable RISK, the design shall prevent overcharging.

Compliance is checked by inspection of the design documentation.

15.4.3.4 Lithium batteries

Lithium batteries used in ME EQUIPMENT that could become a HAZARD shall comply with the requirements of IEC 60086-4. See also 7.3.3.

Compliance is checked by inspection of the battery design documentation or by performance of the tests identified in IEC 60086-4.

15.4.3.5 Excessive current and voltage protection

An INTERNAL ELECTRICAL POWER SOURCE in ME EQUIPMENT shall be provided with an appropriately RATED device for protection against fire caused by excessive currents if the cross-sectional area and layout of the internal wiring or the rating of connected components can give rise to a fire in case of a short circuit. Protective devices shall have adequate breaking capacity to interrupt the maximum fault current (including short-circuit current) which can flow. Justification for omission of fuses or OVER-CURRENT RELEASES shall be included in the RISK MANAGEMENT FILE.

Compliance is checked by inspection for the presence of protective means, and if necessary, by inspection of the design documentation and the RISK MANAGEMENT FILE.

15.4.4 * Indicators

Unless it is otherwise apparent to the OPERATOR from the normal operating position, indicator lights shall be provided to indicate that ME EQUIPMENT is ready for NORMAL USE. The marking of 7.4.1 is not sufficient for this purpose.

If equipped with a stand-by state or a warm-up state whose duration exceeds 15 s, the ME EQUIPMENT shall be provided with an additional indicator light unless it is otherwise apparent to the OPERATOR from the normal operating position.

Indicator lights shall be provided on ME EQUIPMENT incorporating non-luminous heaters to indicate that the heaters are operational, if a HAZARDOUS SITUATION could exist unless it is otherwise apparent to the OPERATOR from the normal operating position.

NOTE This does not apply to heated stylus-pens for recording purposes.

Indicator lights shall be provided on ME EQUIPMENT to indicate that an output exists where an accidental or prolonged operation of the output circuit could constitute a HAZARDOUS SITUATION.

Colours of indicator lights are described in 7.8.1.

In ME EQUIPMENT incorporating a means for charging an INTERNAL ELECTRICAL POWER SOURCE, the charging mode shall be visibly indicated to the OPERATOR.

Compliance is checked by inspection of the presence and function of indicating means visible from the position of NORMAL USE.

15.4.5 Pre-set controls

When applicable, the MANUFACTURER shall address in the RISK MANAGEMENT PROCESS the RISKS associated with pre-set controls.

Compliance is checked by inspection of the RISK MANAGEMENT FILE.

15.4.6 Actuating parts of controls of ME EQUIPMENT

15.4.6.1 Fixing, prevention of maladjustment

- a) All actuating parts of ME EQUIPMENT shall be so secured that they cannot be pulled off or work loose during NORMAL USE.
- b) Controls, the adjustment of which can result in a HAZARDOUS SITUATION for the PATIENT or OPERATOR while ME EQUIPMENT is in use, shall be so secured that the indication of any scale always corresponds with the position of the control.

The indication in this case refers to “on” or “off” position, scale markings or other indications of position.

- c) Incorrect connection of the indicating device to the relevant component shall be prevented by an adequate construction, if it can be separated without the use of a TOOL.

Compliance is checked by inspection and tests. For rotating controls, the torques as shown in Table 30 are applied between the control knob and the shaft for not less than 2 s in each direction alternately. The test is repeated 10 times.

A knob that rotates with respect to the shaft constitutes a failure.

If an axial pull is required in NORMAL USE, compliance is checked by applying for 1 min an axial force of 60 N for electrical components and 100 N for other components.

Table 30 – Test torques for rotating controls

Gripping diameter (d) of control knob mm ^a	Torque Nm
$10 \leq d < 23$	1,0
$23 \leq d < 31$	2,0
$31 \leq d < 41$	3,0
$41 \leq d < 56$	4,0
$56 \leq d \leq 70$	5,0
$d > 70$	6,0
^a The gripping diameter (d) is the maximum width of a control knob regardless of its shape (e.g. control knob with pointer).	

15.4.6.2 Limitation of movement

Stops of adequate mechanical strength shall be provided on rotating or movable parts of controls of ME EQUIPMENT, where necessary to prevent an unexpected change from maximum to minimum, or vice-versa, of the controlled parameter where this could produce a HAZARDOUS SITUATION.

Compliance is checked by inspection and manual tests. For rotating controls, the torques as shown in Table 30 are applied for not less than 2 s in each direction alternately. The test is repeated 10 times.

If an axial pull is likely to be applied to the rotating or movable parts of controls of ME EQUIPMENT in NORMAL USE, no unacceptable RISK shall develop.

Compliance is checked by applying for 1 min an axial force of 60 N for electrical components and 100 N for other components.

15.4.7 Cord-connected HAND-HELD and foot-operated control devices (see also 8.10.4)**15.4.7.1 Mechanical strength**

a) HAND-HELD control devices of ME EQUIPMENT shall comply with 15.3.4.1.

b) Foot-operated control devices of ME EQUIPMENT shall be able to support the weight of an adult human being.

Compliance is checked by application to the foot-operated control device, in its position of NORMAL USE, of an actuating force of 1 350 N for 1 min. The force is applied over an area of 30 mm diameter. There shall be no damage to the device resulting in an unacceptable RISK.

15.4.7.2 Accidental operation of ME EQUIPMENT

HAND-HELD and foot-operated control devices shall not result in an unacceptable RISK by changing their control setting when accidentally placed in an abnormal position.

Compliance is checked by turning the control device in all possible abnormal positions and placing it on a flat surface. Any inadvertent change of control setting resulting in an unacceptable RISK constitutes a failure.

15.4.7.3 * Entry of liquids

a) Foot-operated control devices of ME EQUIPMENT shall be at least IPX1 according to IEC 60529.

Compliance is checked by the tests of IEC 60529.

b) In ME EQUIPMENT, ENCLOSURES of foot operated control devices that contain electrical circuits shall be classified at least IPX6 according to IEC 60529 if they are intended for NORMAL USE in areas where liquids are likely to be found (such as emergency rooms and operating theatres). The probability of occurrence shall be estimated as part of the RISK MANAGEMENT PROCESS.

Compliance is determined by inspection of the ACCOMPANYING DOCUMENTS, the design documentation, the RISK MANAGEMENT FILE and by performing the appropriate tests of IEC 60529.

15.4.8 Internal wiring of ME EQUIPMENT

Aluminium wires of less than 16 mm² cross-section shall not be used in ME EQUIPMENT.

Compliance is checked by inspection.

15.4.9 Oil containers

a) Oil containers in PORTABLE ME EQUIPMENT shall be adequately sealed to prevent loss of oil in any position. The container design shall allow for the expansion of the oil.

b) Oil containers in MOBILE ME EQUIPMENT shall be sealed to prevent the loss of oil during transport but may be fitted with a pressure-release device that can operate during NORMAL USE.

c) Partially sealed oil-filled ME EQUIPMENT or its parts shall be provided with means for checking the oil level so that leakage can be detected (see 7.9.3.1).

Compliance is checked by inspection of the ME EQUIPMENT, the technical description, and by manual test.

15.5 * MAINS SUPPLY TRANSFORMERS of ME EQUIPMENT and transformers providing separation in accordance with 8.5

15.5.1 Overheating

15.5.1.1 * Transformers

Transformers of ME EQUIPMENT shall be protected against overheating in the event of short circuit or overload of any output winding.

Compliance is checked by the tests of 15.5.1.2 and 15.5.1.3 as appropriate under the following conditions.

Each winding is tested, in turn, with the following parameters at the most adverse value:

- primary voltage maintained between 90 % to 110 % of RATED voltage
- RATED input frequency
- loads on other windings between no load and their NORMAL USE load

Short circuit or resistive load, as appropriate, is applied at the ends of the windings or at the first point that can be short circuited under SINGLE FAULT CONDITION.

Components intended to prevent overheating of the transformer during short circuit and overload conditions are included as part of the tests of 15.5.1.2 and 15.5.1.3 provided that it is unlikely that a short circuit or overload condition could arise for which they would not provide protection. Failure of such circuits to provide protection are considered unlikely to occur where insulation (including spacing) is equal to at least one MEANS OF OPERATOR PROTECTION as defined in Clause 8 and COMPONENTS WITH HIGH-INTEGRITY CHARACTERISTICS are used.

During the tests, no winding are to open, no HAZARDOUS SITUATION occurs, and the maximum temperatures of windings are not to exceed the values in Table 31. After the short circuit and overload tests, the transformer is to pass the dielectric strength test (as described in 8.8.3) between primary and secondary windings, between the primary windings and the frame and between the secondary windings and the frame. The tests are performed under the conditions specified in 11.1, either in the ME EQUIPMENT or under simulated conditions on the bench.

Table 31 – Maximum allowable temperatures of transformer windings under overload and short-circuit conditions at 25 °C (± 5 °C) ambient temperature

Parts	Maximum temperature °C
Windings and core laminations in contact therewith, if the winding insulation is:	
– of Class A material	150
– of Class B material	175
– of Class E material	165
– of Class F material	190
– of Class H material	210

15.5.1.2 Short-circuit test

The output winding under test is short circuited. The test is continued until the protective device operates or THERMAL STABILITY is achieved. For transformers not tested according to the 5X frequency and 5X voltage test of 15.5.2, the short circuit is applied directly across the output windings.

15.5.1.3 Overload test

Windings with more than one protective device could require multiple overload tests in order to fully evaluate worst-case NORMAL USE loading and fusing.

If the short-circuit test is completed without operation of a protective device (such as a current limiting circuit), the overload test is not required.

- a) This test (a) is performed if the current at which the protective device operates cannot be determined based on a review of the provided protective devices and their performance data; otherwise test b) is performed.

The winding under test is loaded to its NORMAL USE load until THERMAL STABILITY is reached. The load is then progressively adjusted in appropriate steps to approach the minimum current at which the protective device operates. Each adjustment of the load is followed by a sufficient time to reach THERMAL STABILITY, and the load current and temperature are to be noted.

Following operation of a protective device, b) is performed.

- b) If the protective device that operated in a) is external to the transformer, it is shunted. The winding under test is loaded based on the type of protective device as follows.

- Fuse in accordance with IEC 60127-1:
30 min at the appropriate test current determined from Table 32.

Table 32 – Test current for transformers

Marked value of RATED current (I) of protecting fuse-link A	Ratio between test current and RATED current of the fuse-link
$I \leq 4$	2,1
$4 < I \leq 10$	1,9
$10 < I \leq 25$	1,75
$I > 25$	1,6

- Fuses not in accordance with IEC 60127-1:
30 min at the current according to the characteristics supplied by the fuse manufacturer, specifically the 30 min clearing-time current. If no 30 min clearing-time current data is available, the test current from Table 32 is used until THERMAL STABILITY is achieved.
- Other protective device:
until THERMAL STABILITY at a current just below that which caused the device to operate in a).

This portion of the overload test is concluded at the specified time or when a second protective device opens.

15.5.2 * Dielectric strength

ME EQUIPMENT transformer windings shall have adequate insulation to prevent internal short-circuits that could cause overheating where such overheating could result in a HAZARDOUS SITUATION.

The dielectric strength of the electrical insulation between turns and layers of each winding of a transformer of ME EQUIPMENT where failure of the transformer could result in a HAZARDOUS SITUATION shall be such that after the humidity preconditioning treatment (see 5.7) it passes the following tests.

- a) *Transformer windings having a RATED voltage ≤ 500 V or RATED frequency ≤ 60 Hz are tested with a voltage across the winding of five times the RATED voltage or five times the upper limit of the RATED voltage range of that winding and a frequency not less than five times the RATED frequency (where RATED frequency is the normal operating frequency of the transformer input voltage).*
- b) *Transformer windings having a RATED voltage exceeding 500 V or RATED frequency exceeding 60 Hz are tested with a voltage across that winding of twice the RATED voltage or twice the upper limit of the RATED voltage range of that winding and a frequency not less than twice the RATED frequency (where RATED frequency is the normal operating frequency of the transformer input voltage).*

In the two cases above, however, the stress on the turn and layer insulation of any winding of the transformer is to be such that the test voltage appearing at the winding with the highest RATED voltage does not exceed the test voltage specified in Table 6, for one MEANS OF PROTECTION, if the RATED voltage of such a winding is considered as the WORKING VOLTAGE. If this should occur, the test voltage on the primary winding is reduced accordingly. The test frequency can be adapted to produce in the core approximately the magnetic induction present in NORMAL USE. Where the core of the transformer is isolated from all external conductive connections (such as in most toroidal transformers), connections to the core described below may be omitted.

- *Three-phase transformers can be tested by means of a three-phase testing device or by three consecutive tests using a single-phase testing device.*
- *The value of the test voltage with respect to the core and to any screen between primary and secondary windings is in accordance with the specification of the relevant transformer. If the primary winding has an identified connection point for the neutral of the SUPPLY MAINS such a point is connected to the core (and screen if present) unless the core (and screen) are specified for connection to an unearthed part of the circuit. To simulate this, the core (and screen) are connected to a source with an appropriate voltage and frequency with respect to the identified connection point.*

If such a connection point has not been identified, each side of the primary winding in turn is connected to the core (and screen if present) unless the core (and screen) are specified for connection to an unearthed part of the circuit.

To simulate this, the core (and screen) are connected to a source with an appropriate voltage and frequency with respect to each side of the primary winding in turn.

- *During the test, all windings not intended for connection to the SUPPLY MAINS are left unloaded (open circuit). Windings intended to be earthed at a point or to be operated with a point nearly at earth potential are to have such a point connected to the core, unless the core is specified for connection to an unearthed part of the circuit.*

To simulate this, the core is connected to a source with an appropriate voltage and frequency with respect to such windings.

- *Initially not more than half the prescribed voltage is applied, then, it is raised over a period of 10 s to the full value, which is then maintained for 1 min, after which the voltage is reduced gradually and switched off.*
- *Tests are not conducted at resonant frequencies.*

Compliance is checked by the following:

During the test, any flashover or breakdown of any part of the insulation constitutes a failure. There is to be no detectable deterioration of the transformer after the test.

Slight corona discharges are neglected, provided that they cease when the test voltage is temporarily dropped to a lower value, that this value is higher than the WORKING VOLTAGE and that the discharges do not provoke a drop in test voltage.

15.5.3 * Construction of transformers used to provide separation as required by 8.5

Transformers of ME EQUIPMENT that form MEANS OF PROTECTION as required by 8.5 shall comply with IEC 61558-1:1997, Subclause 5.12.

Compliance is checked as specified in IEC 61558-1.

16 * ME SYSTEMS

16.1 * General requirements for the ME SYSTEMS

After installation or subsequent modification, an ME SYSTEM shall not result in an unacceptable RISK.

Only HAZARDS arising from combining various equipment to constitute an ME SYSTEM shall be considered.

NOTE RESPONSIBLE ORGANIZATIONS are reminded that the assembly of ME SYSTEMS and modifications during the actual service life require evaluation to the requirements of this standard.

An ME SYSTEM shall provide:

- within the PATIENT ENVIRONMENT, the level of safety equivalent to ME EQUIPMENT complying with this standard; and
- outside the PATIENT ENVIRONMENT, the level of safety equivalent to equipment complying with their respective IEC or ISO safety standards.

Tests shall be performed:

- in NORMAL CONDITION unless otherwise specified, and
- under the operating conditions specified by the MANUFACTURER of the ME SYSTEM.

Safety tests that have already been performed on individual equipment of the ME SYSTEM according to relevant standards shall not be repeated.

The MANUFACTURER of an ME SYSTEM that is (re)configurable by the RESPONSIBLE ORGANIZATION or OPERATOR may use RISK MANAGEMENT methods to determine which configurations constitute the highest RISKS and which measures are needed to ensure that the ME SYSTEM in any possible configuration does not present an unacceptable RISK.

Non-ME EQUIPMENT, when used in an ME SYSTEM, shall comply with IEC or ISO safety standards that are relevant to that equipment.

Equipment in which protection against electric shock relies only on BASIC INSULATION shall not be used in an ME SYSTEM.

Compliance is checked by inspection of appropriate documents or certificates.

16.2 * ACCOMPANYING DOCUMENTS of an ME SYSTEM

An ME SYSTEM, (including a modified ME SYSTEM), shall be accompanied by documents containing all the data necessary for the ME SYSTEM to be used as intended by the MANUFACTURER, and an address to which the RESPONSIBLE ORGANIZATION can refer. The ACCOMPANYING DOCUMENTS shall be regarded as a part of the ME SYSTEM.

NOTE ACCOMPANYING DOCUMENTS can be provided electronically, e.g. electronic file format or CD-ROM, for an ME SYSTEM capable of displaying or printing those documents.

These documents shall include:

- a) the ACCOMPANYING DOCUMENTS for each item of ME EQUIPMENT that is provided by the MANUFACTURER (see 7.8.2);
- b) the ACCOMPANYING DOCUMENTS for each item of non-ME EQUIPMENT that is provided by the MANUFACTURER;
- c) the following information:
 - the specification of the ME SYSTEM, including the use as intended by the MANUFACTURER and a listing of all of the items forming the ME SYSTEM;
 - instructions for the installation, assembly and modification of the ME SYSTEM to ensure continued compliance with this standard;
 - instructions for cleaning and, when applicable, disinfecting and sterilizing each item of equipment or equipment part forming part of the ME SYSTEM (see 11.6.6 and 11.6.7);
 - additional safety measures that should be applied, during installation of the ME SYSTEM;
 - which parts of the ME SYSTEM are suitable for use within the PATIENT ENVIRONMENT;
 - additional measures that should be applied during preventive maintenance;
 - if a MULTIPLE SOCKET-OUTLET is present and it is a separate item, a warning that it shall not be placed on the floor;
 - a warning that an additional MULTIPLE SOCKET-OUTLET or extension cord shall not be connected to the ME SYSTEM;
 - a warning to connect only items that have been specified as part of the ME SYSTEM or that have been specified as being compatible with the ME SYSTEM;
 - the maximum permitted load for any MULTIPLE SOCKET-OUTLET(S) used with the ME SYSTEM;
 - an instruction that MULTIPLE SOCKET-OUTLETS provided with the ME SYSTEM shall only be used for supplying power to equipment that is intended to form part of the ME SYSTEM;

- an explanation of the RISKS of connecting non-ME EQUIPMENT that has been supplied as a part of the ME SYSTEM directly to the wall outlet when the non-ME EQUIPMENT is intended to be supplied via a MULTIPLE SOCKET-OUTLET with a separating transformer;
- an explanation of the RISKS of connecting any equipment that has not been supplied as a part of the ME SYSTEM to the MULTIPLE SOCKET-OUTLET;
- the permissible environmental conditions of use of the ME SYSTEM including conditions for transport and storage; and
- instructions to the OPERATOR not to touch parts referred to in 16.4 and the PATIENT simultaneously.

d) advice to the RESPONSIBLE ORGANIZATION:

- to carry out all adjustment cleaning, sterilization and disinfection PROCEDURES specified therein; and
- that the assembly of ME SYSTEMS and modifications during the actual service life require evaluation to the requirements of this standard.

Compliance is checked by inspection.

16.3 * Power supply

If ME EQUIPMENT is intended to receive its power from other equipment in an ME SYSTEM, the instructions for use shall specify the other equipment sufficiently to ensure compliance with the requirements of this standard (see 4.10.1, 5.5 f) and 7.9.2.3). See also Figure F.5.

Compliance is checked by inspection.

16.4 ENCLOSURES

Parts of non-ME EQUIPMENT in the PATIENT ENVIRONMENT that can be contacted by the OPERATOR during routine maintenance, calibration, etc. after removal of covers, connectors, etc., without the use of a TOOL shall operate at a voltage not exceeding the voltage specified in 8.4.2 c) supplied from a source that is separated from the SUPPLY MAINS by two MEANS OF OPERATOR PROTECTION (see 8.5.1).

Compliance is checked by inspection.

16.5 * SEPARATION DEVICES

When FUNCTIONAL CONNECTION between ME EQUIPMENT and other items of equipment of an ME SYSTEM or other systems can cause the allowable values of LEAKAGE CURRENT to be exceeded, then safety measures incorporating a SEPARATION DEVICE shall be applied.

The SEPARATION DEVICE shall have the dielectric strength, CREEPAGE DISTANCES and AIR CLEARANCES required for one MEANS OF OPERATOR PROTECTION appropriate for the highest voltage occurring across the SEPARATION DEVICE during a fault condition.

The WORKING VOLTAGE shall be the highest voltage across the SEPARATION DEVICE during a fault condition, but not less than the MAXIMUM MAINS VOLTAGE.

NOTE 1 For CLASS I equipment, potential differences can occur between the protective earth of the ME EQUIPMENT and the protective earth of other parts of the ME SYSTEM in the absence of a common protective earth.

NOTE 2 Situations that can require a SEPARATION DEVICE include FUNCTIONAL CONNECTIONS to an emergency calling system or a data processing system.

Compliance is checked by the tests in 8.8 and 8.9.

16.6 * LEAKAGE CURRENTS

16.6.1 TOUCH CURRENT

In NORMAL CONDITION, the TOUCH CURRENT from or between parts of the ME SYSTEM within the PATIENT ENVIRONMENT shall not exceed 100 μ A.

In the event of the interruption of any non-PERMANENTLY INSTALLED PROTECTIVE EARTH CONDUCTOR, the TOUCH CURRENT from or between parts of an ME SYSTEM within the PATIENT ENVIRONMENT shall not exceed 500 μ A.

NOTE For the purposes of this clause, the LEAKAGE CURRENT from accessible outer surfaces of equipment is also considered to be TOUCH CURRENT.

16.6.2 EARTH LEAKAGE CURRENT OF MULTIPLE SOCKET-OUTLET

If the ME SYSTEM or part of the ME SYSTEM is supplied from a MULTIPLE SOCKET-OUTLET, then the current in the PROTECTIVE EARTH CONDUCTOR of the MULTIPLE SOCKET-OUTLET shall not exceed 5 mA.

16.6.3 * PATIENT LEAKAGE CURRENT

The PATIENT LEAKAGE CURRENT and total PATIENT LEAKAGE CURRENT of an ME SYSTEM in NORMAL CONDITION shall not exceed the values specified for ME EQUIPMENT, as given in Table 3 and Table 4 (see also 8.7.3 and 16.1).

The total PATIENT LEAKAGE CURRENT may be measured at installation.

Compliance with the requirements of 16.6.1, 16.6.2 and 16.6.3 is checked by inspection and measurement using a measuring device as specified in 8.7.4.4.

16.6.4 Measurements

16.6.4.1 General conditions for ME SYSTEMS

a) *The TOUCH CURRENT, the PATIENT LEAKAGE CURRENT and the total EARTH LEAKAGE CURRENT of any MULTIPLE SOCKET-OUTLET are measured after the ME SYSTEM has been brought up to operating temperature as follows:*

The ME SYSTEM is operated:

- *For ME SYSTEMS intended for non-CONTINUOUS OPERATION;*

After operating in standby/quiescent mode until THERMAL STABILITY is reached, the ME SYSTEM is operated in NORMAL USE over consecutive cycles until THERMAL STABILITY is again achieved, or for seven hours, whichever is shorter. The “on” and “off” periods for each cycle are the RATED “on” and “off” periods;

- *For ME SYSTEMS intended for CONTINUOUS OPERATION;*

The ME SYSTEM is operated until THERMAL STABILITY is reached.

b) *The ME SYSTEM is connected to a supply with a voltage equal to the highest RATED MAINS VOLTAGE. When the characteristics of an ME SYSTEM can only be measured properly after it has been installed at the site of the RESPONSIBLE ORGANIZATION, prior to its clinical use, the ME SYSTEM is connected to the local SUPPLY MAINS.*

NOTE Where examination of the circuit arrangement and the arrangement of components and material of the ME SYSTEM shows no possibility of any HAZARD, the number of tests could be reduced.

16.6.4.2 Connection of the ME SYSTEM to the measuring supply circuit

a) *The ME SYSTEM is tested after being assembled according to its ACCOMPANYING DOCUMENTS.*

b) *Measuring arrangement*

If an isolating transformer is not used for LEAKAGE CURRENT measurements (e.g. when measuring LEAKAGE CURRENT for very high input power ME SYSTEMS), the reference earth of the measuring circuits is connected to the protective earth of the SUPPLY MAINS.

NOTE 1 It is recommended to position the measuring circuit as far as possible away from unscreened power supply leads and (unless specified otherwise in the following subclauses) to avoid placing the ME SYSTEM on or near a large earthed metal surface.

NOTE 2 However, APPLIED PARTS, including PATIENT cables (when present), should be placed on an insulating surface with a dielectric constant of approximately 1 (for example, expanded polystyrene) and approximately 200 mm above an earthed metal surface.

16.7 * Protection against MECHANICAL HAZARDS

If a MECHANICAL HAZARD exists, the ME SYSTEM shall comply with the applicable requirements of Clause 9.

Compliance is checked by inspection or applicable tests.

16.8 Interruption of the power supply to parts of an ME SYSTEM

An ME SYSTEM shall be so designed that an interruption and restoration of the power to the ME SYSTEM as a whole, or any part of the ME SYSTEM, shall not result in a HAZARDOUS SITUATION other than interruption of its intended function.

Compliance is checked by interruption and restoration of relevant power connections one at a time and all connections simultaneously.

16.9 ME SYSTEM connections and wiring

16.9.1 Connection terminals and connectors

Design and construction of electrical, hydraulic, pneumatic and gas connection terminals and connectors shall be such that incorrect connection of accessible connectors, removable without the use of a TOOL, shall be prevented where a HAZARDOUS SITUATION could otherwise exist.

- Connectors shall comply with 15.4.1.
- Plugs for connection of PATIENT leads shall be so designed that they cannot be connected to other outlets of the same ME SYSTEM that are likely to be located in the PATIENT ENVIRONMENT unless it can be proved that no HAZARDOUS SITUATION can result.

Compliance is checked by inspection and, if possible, by interchanging connectors.

16.9.2 MAINS PARTS, components and layout

16.9.2.1 * MULTIPLE SOCKET-OUTLET

a) A MULTIPLE SOCKET-OUTLET shall:

- only allow connection by using a TOOL (see Figure I.1), or
- be of a type that cannot accept MAINS PLUGS of any of the kinds specified in IEC/TR 60083, or
- be supplied via a separating transformer (see 16.9.2.1 d) and Annex I).

Compliance is checked by inspection.

b) A MULTIPLE SOCKET-OUTLET:

- shall be marked with safety sign ISO 7010-W001 (see Table D.2, safety sign 2) such that it is visible in NORMAL USE; and:
 - shall be marked either individually or in combinations, with the maximum allowed continuous output in amperes or volt-amperes, or
 - shall be marked to indicate which equipment or equipment parts may be safely attached.
- may be a separate item or an integral part of ME EQUIPMENT or non-ME EQUIPMENT.

NOTE Each outlet does not have to be marked.

Compliance is checked by inspection.

c) The MULTIPLE SOCKET-OUTLET shall comply with IEC 60884-1 and the following requirements.

- CREEPAGE DISTANCES and AIR CLEARANCES shall comply with 8.9.
- It shall be of CLASS I construction and the PROTECTIVE EARTH CONDUCTOR shall be connected to the earthing contacts in the socket-outlets.
- * PROTECTIVE EARTH TERMINALS and PROTECTIVE EARTH CONNECTIONS shall comply with 8.6, except that the total impedance of the protective earth path for an ME SYSTEM may be up to 400 m Ω , or higher if the conditions of 8.6.4 b) are satisfied.
- ENCLOSURES shall comply with 8.4.2 d).
- MAINS TERMINAL DEVICES and wiring shall comply with 8.11.4, if applicable.
- RATINGS of components shall not conflict with the conditions of use (see 4.8).
- Design and construction of electrical connection terminals and connectors of MULTIPLE SOCKET-OUTLETS shall prevent the incorrect connection of accessible connectors that are removable without the use of a TOOL.
- Requirements for the POWER SUPPLY CORD as described in 8.11.3 shall be fulfilled.

d) * If the MULTIPLE SOCKET-OUTLET is combined with a separating transformer, the following additional requirements apply.

- The separating transformer shall comply with the requirements of IEC 61558-2-1, except the requirements of maximum RATED output power of 1 kVA and degree of protection IPX4 do not apply.

NOTE 1 As a separating transformer is not a MAINS SUPPLY TRANSFORMER, it does not require more than BASIC INSULATION.

NOTE 2 Limitation of output power is not explained in IEC 61558-2-1 and the RATED output power is defined by the fuse in the installation and by the allowable power supply cable used. However, the characteristics of the separating transformer need to be carefully selected, taking into account the variations in the load current of the ME SYSTEM to ensure that the voltage supplied to the various items of the ME SYSTEM remains within the limits specified for the equipment.

NOTE 3 IEC 61558-2-1 should be used with the general standard IEC 61558-1.

- The separating transformer assembly shall be of CLASS I construction.
- The degree of protection against ingress of water as given in IEC 60529 shall be specified.
- The separating transformer assembly shall be marked according to the requirements of 7.2 and 7.3.
- The MULTIPLE SOCKET-OUTLET shall be permanently connected to the separating transformer or the socket-outlet of the separating transformer assembly shall be of a type that cannot accept MAINS PLUGS of any of the kinds identified in IEC/TR 60083 (see Figure I.1 and Figure I.2).

Compliance is checked by inspection and as described in the relevant subclauses of this standard.

16.9.2.2 * PROTECTIVE EARTH CONNECTIONS in ME SYSTEMS

PROTECTIVE EARTH CONNECTIONS shall be made so that the removal of any single item of equipment in the ME SYSTEM will not interrupt the protective earthing of any other part of the ME SYSTEM, without at the same time disconnecting the electrical supply to that part.

Additional PROTECTIVE EARTH CONDUCTORS shall only be detachable by use of a TOOL.

Compliance is checked by inspection.

16.9.2.3 Protection of conductors

Conductors that connect different items of equipment within an ME SYSTEM shall be protected against mechanical damage.

Compliance is checked by inspection.

17 * Electromagnetic compatibility of ME EQUIPMENT and ME SYSTEMS

The MANUFACTURER shall address In the RISK MANAGEMENT PROCESS the RISKS associated with:

- the electromagnetic phenomena existing at the locations where the ME EQUIPMENT or ME SYSTEM is intended to be used as indicated in the ACCOMPANYING DOCUMENTS; and
- the introduction by the ME EQUIPMENT or ME SYSTEM of electromagnetic phenomena into the environment that might degrade the performance of other devices, electrical equipment and systems.

See IEC 60601-1-2 and also see 1.3.

Compliance is checked by inspection of the RISK MANAGEMENT FILE.

Annex A (informative)

General guidance and rationale

A.1 General guidance

The requirements for ME EQUIPMENT and ME SYSTEMS differ from those for other kinds of electrical equipment because of the particular relationship of ME EQUIPMENT or ME SYSTEM to the PATIENT, the OPERATOR and the surroundings. The following aspects play an important role in this relationship:

- a) the inability of the PATIENT or OPERATOR to detect the presence of certain HAZARDS, such as ionizing and non-ionizing radiation;
- b) absence of normal reactions of the PATIENT who can be ill, unconscious, anaesthetized, immobilized, etc.;
- c) absence of normal protection to currents provided by the PATIENT'S skin, if this is penetrated or treated to obtain a low skin-resistance;
- d) support or replacement of vital body functions, which depends on the reliability of ME EQUIPMENT or ME SYSTEM;
- e) the simultaneous connection to the PATIENT of more than one piece of ME EQUIPMENT;
- f) combination of high-power ME EQUIPMENT and sensitive low-signal ME EQUIPMENT often in ad hoc combinations;
- g) the application of electrical circuits directly to the human body, either through contacts to the skin or through the insertion of probes into internal organs;
- h) conditions, particularly in operating theatres, that can present a combination of humidity, moisture or fire or explosion HAZARDS caused by air, oxygen or nitrous oxide.

When ME EQUIPMENT is combined with another electrical equipment to form an ME SYSTEM, additional requirements apply. These are given in Clause 16. In some instances, reference to other parts of this standard is made. If a clause or subclause is specifically intended to be applicable to ME EQUIPMENT only, the title and content of that clause or subclause will say so. If that is not the case, the clause or subclause could be applicable to ME SYSTEMS as well as to ME EQUIPMENT.

A.2 Safety of ME EQUIPMENT and ME SYSTEMS

BASIC SAFETY and ESSENTIAL PERFORMANCE of ME EQUIPMENT and ME SYSTEMS, as described in IEC/TR 60513 [12], are part of the total safety situation, comprising safety of ME EQUIPMENT, safety of the installation to which the ME EQUIPMENT or ME SYSTEM is connected and safety of application.

BASIC SAFETY and ESSENTIAL PERFORMANCE of ME EQUIPMENT and ME SYSTEMS are required for NORMAL USE and for reasonably foreseeable misuse and in NORMAL CONDITION and SINGLE FAULT CONDITIONS. Reliability of functioning is regarded as a safety aspect for life-supporting ME EQUIPMENT and where interruption of an examination or treatment is considered as a HAZARD for the PATIENT.

Adequate construction, lay-out and ACCOMPANYING DOCUMENTS that serve to prevent use errors are regarded as safety aspects.

Safety precautions are considered acceptable if they provide adequate protection without an undesirable restriction of normal function.

Generally, it is presumed that ME EQUIPMENT and ME SYSTEMS are operated under the jurisdiction of qualified or licensed persons and that the OPERATOR has the skill required for a particular medical application and acts according to the instructions for use.

The total safety of ME EQUIPMENT can consist of:

- inherent safety by design;
- protective measures incorporated into the ME EQUIPMENT or additional protective measures, such as the use of shields or protective clothing; and
- information for safety, such as restrictions in the instructions for use concerning transport, mounting or positioning, connection, putting into service, operation and the position of the OPERATOR and his/her assistants in relation to the ME EQUIPMENT during use.

A.3 Guidance to the third edition

In this edition, a number of clauses and subclauses from the second edition have been deleted, e.g. when the clause or subclause was indicated as “Not used.” However, those clauses or subclauses from the second edition that stated “No general requirement” have been retained so that particular or collateral standards can refer to them. The statement, “No general requirement”, has been replaced with a reference to the RISK MANAGEMENT PROCESS because the “general requirement” is that, in the absence of a particular or collateral standard, these issues are dealt with through the application of RISK MANAGEMENT.

While preparing the third edition, basic safety standards and ISO/IEC guides have been taken into consideration to the extent possible consistent with the particular relationship of ME EQUIPMENT OR ME SYSTEM to the PATIENT, the OPERATOR and the surroundings.

The format of the third edition has been aligned with the basic requirements of Part 2 of the ISO/IEC Directives. All the sections except Section 1 of the second edition have been converted into major clauses. This change was implemented because sections are no longer allowed under the drafting rules and the new numbering system will allow future changes to modify a clause without affecting the number of other parts of the standard.

The normative references have been moved from Appendix L of the second edition to Clause 2. Informative references are listed in the Bibliography.

The definitions in Clause 3 have been rearranged into a single alphabetical listing as organizing the definitions by category was becoming increasingly difficult and the result less intuitive. The index has been expanded to identify each page where a term is used in the body of the standard. A number of new defined terms have been introduced in support of new or expanded requirements.

A general requirement for a RISK MANAGEMENT PROCESS has been introduced in 4.2.

Clause 8 has been extensively restructured to bring together in one clause the requirements relating to electrical safety. The requirements in Clause 8 have been reviewed against the safety requirements for information technology (IT) equipment in IEC 60950-1 and harmonized where appropriate given the particular relationship of ME EQUIPMENT to the PATIENT, the OPERATOR and the surroundings.

Clause 9 on protection against MECHANICAL HAZARDS has been substantially revised to deal with a wide range of the HAZARDS that ME EQUIPMENT could pose to the OPERATOR or PATIENT. Requirements relating to the mechanical strength of the ME EQUIPMENT when subjected to the stresses caused by pushing, impact, dropping, and rough handling are in 15.3.

The standard now deals with USABILITY in 12.2 as opposed to “user or human errors.”

Section six of the second edition on protection against the HAZARDS of ignition of flammable anaesthetic mixtures has been moved to a normative annex. While this annex was originally intended to be informative because the use of such anaesthetics is rare, comments from National Committees indicated that some MANUFACTURERS might still want to offer ME EQUIPMENT for such applications.

The surface temperature limit in 11.1.2.2 for APPLIED PARTS that are in contact with the PATIENT for 10 min or more has been increased from 41 °C to 43 °C. However, the MANUFACTURER is to disclose in the ACCOMPANYING DOCUMENTS if the surface temperature of an APPLIED PART exceeds 41 °C.

The requirements of IEC 60601-1-4 [14] for PROGRAMMABLE ELECTRICAL MEDICAL SYSTEMS, as referred to in 52.1 of the second edition, have been incorporated into the body of this standard in a new Clause 14.

The requirements of IEC 60601-1-1 [13] for ME SYSTEMS have been incorporated into the body of this standard in a new Clause 16.

A.4 Rationale for particular clauses and subclauses

The following are rationales for specific clauses and subclause in this standard, with clause and subclause numbers parallel to those in the body of the document.

Subclause 1.1 – Scope

The scope of this standard is established by the reference to the definitions of ME EQUIPMENT and ME SYSTEMS. This is to clearly define the scope of this standard as compared with requirements for other types of electrical equipment.

Laboratory equipment within the scope of IEC 61010-1 [22] is not covered by this standard except when a MANUFACTURER incorporates such laboratory equipment into an ME SYSTEM.

This standard does not apply to active implantable medical devices covered by the ISO 14708-1 [31] except where the ISO 14708-1 requires compliance with IEC 60601-1.

This standard does not apply to any other electrical equipment unless it falls under the definition of ME EQUIPMENT or ME SYSTEMS.

Subclause 1.3 – Collateral standards

Collateral standards are a vehicle developed by Technical Committee 62 as a way of extending the general standard. Collateral standards fall into two categories:

- standards that address additional BASIC SAFETY and ESSENTIAL PERFORMANCE requirements that are common to a subgroup of ME EQUIPMENT. For example, Subcommittee 62B developed IEC 60601-1-3 to provide general requirements for protection against ionizing radiation in medical diagnostic X-ray equipment in order that the dose equivalent to the PATIENT, the OPERATOR and other staff can be kept as low as reasonably achievable; or
- standards that address additional BASIC SAFETY or ESSENTIAL PERFORMANCE requirements that deal with characteristic of ME EQUIPMENT or ME SYSTEMS that are not fully covered by the general standard. At the time of publication, three collateral standards in this category have been published by Subcommittee 62A: EMC (IEC 60601-1-2), Usability (IEC 60601-1-6) and Alarm systems (IEC 60601-1-8).

The editions of IEC 60601-1-2, IEC 60601-1-3, IEC 60601-1-6 and IEC 60601-1-8 existing at the time of publication of this third edition of the general standard were all developed in relation to the second edition of the general standard (IEC 60601-1:1988). It is intended that revised editions of these collateral standards, relating specifically to this third edition, will be developed and published as soon as possible. As stated in 1.3, these will become normative at the date of their publication and shall apply together with this standard.

Until such new editions of these collateral standards are published, users of this standard should apply the existing editions as far as possible when they are relevant to the ME EQUIPMENT or ME SYSTEM concerned. However some requirements of these collateral standards might not be compatible with this standard.

The requirements from two of the collateral standards developed for the second edition of IEC 60601-1 have been incorporated into the body of this standard. They are:

- IEC 60601-1-1:2000, *Medical electrical equipment – General requirements for safety – Collateral standard: Safety requirements for medical electrical systems*
- IEC 60601-1-4:1996, *Medical electrical equipment – Part 1: General requirements for safety – 4. Collateral standard: Programmable electrical medical systems* and its Amendment 1 (1999)¹⁹.

While both standards will remain active until all the particular standards based on the second edition of IEC 60601-1 have been aligned with this standard, they are not applicable when applying this standard.

Additional collateral standards can be published from time to time as needs are identified. While those standards will not be mentioned in this standard, they still establish general requirements that need to be considered when applicable. Readers are encouraged to consult the registers of currently valid International Standards maintained by their national standards body to see what applicable collateral standards have been published.

Subclause 1.4 – Particular standards

A particular standard can specify:

- clauses or subclauses of this standard that apply without amendment;
- clauses or subclauses (or parts of them) of this standard that do not apply;

¹⁹ There exists a consolidated edition 1.1 (2000) including IEC 60601-1-4 (1996) and its Amendment 1 (1999).

- clauses or subclauses (or parts of them) of this standard that are replaced by clauses or subclauses in the particular standard; or
- additional clauses or subclauses.

A particular standard can contain:

- a) requirements that result in an increase of BASIC SAFETY or ESSENTIAL PERFORMANCE;
- b) requirements that can be less stringent than the requirements in this standard, if the latter cannot be maintained because of, for example, the power output of ME EQUIPMENT;
- c) requirements concerning performance, reliability, interfaces, etc.;
- d) accuracy of working data; or
- e) extension and limitation of environmental conditions.

Clause 2 – Normative references

This clause provides a list of the documents cited in other normative parts of this standard in such a way as to make them indispensable for the application of the document. However, conformance with the documents in this list is required only to the extent that they are referenced in a normative requirement in this standard. For example, if a reference is made to a specific clause, subclause, table or figure, then the user of this standard is only required to conform to the requirements in that clause, subclause, table or figure in order to satisfy the requirement in this standard.

Undated references are made only to a complete document or to a major part thereof and only if it is accepted that it will be possible to use all future changes of the referenced document for the purposes of this standard. For example, an undated reference is made to IEC 60529 because it is intended that the MANUFACTURER will always use the latest edition of that standard when assigning IP Codes to ENCLOSURES.

Undated references are understood to include all amendments to and revisions of the referenced document.

Dated references are made when the requirements of a particular edition are to be used to satisfy a requirement of this standard. Subsequent amendments to, or revisions of, dated references will need to be incorporated by amendment of this standard. For example, a dated reference is made to IEC 60825-1 because relevant parts of that standard are applied to light emitting diodes (LEDs) and IEC/TC 76 was in the early stages of developing a third edition of IEC 60825-1 and was considering removing the requirements for LEDs.

References to specific clauses, subclauses, tables and figures of another document are always dated.

Clause 3 – Terminology and definitions

This clause contains definitions for terms that are necessary for the understanding of the requirements in this standard. Many of these terms are inherited from the second edition. However, a number of terms have been added during the course of developing new or modified requirements. Where possible, existing definitions in other standards have been copied or adapted.

Except when used to support other defined terms, a definition is only provided if the term is used more than once in the text of the standard.

Defined terms are printed in SMALL CAPITALS to assist the reader in identifying them in the body of the standard. When normal case is used, the words have their normal English meaning. The committee made an effort to avoid using the same word both as a defined term and in its normal English meaning. At times this has not been possible. For example, the word “procedure” is used as a defined term in Start-up PROCEDURE, specifically meaning a “specific way to perform an activity” of starting up the ME EQUIPMENT or ME SYSTEM. It is also used in the definition of PATIENT according to its general English meaning, i.e. “Living being (person or animal) undergoing a medical, surgical or dental procedure.”

Subclause 3.8 – APPLIED PART

Parts that contact PATIENTS can present greater HAZARDS than other parts of the ENCLOSURE, and these APPLIED PARTS are therefore subject to more stringent requirements, for example, for temperature limits and (according to classification B/BF/CF) for LEAKAGE CURRENT.

NOTE Some other ACCESSIBLE PARTS of the ENCLOSURES of ME EQUIPMENT are subject to tests that are more demanding than those for ENCLOSURES of other kinds of equipment, because the PATIENT can touch them, or the OPERATOR can touch them and the PATIENT simultaneously.

In order to determine which requirements apply, it is necessary to distinguish between APPLIED PARTS and parts that are simply considered as the ENCLOSURE.

Thus, typically:

- an infrared therapy lamp does not have an APPLIED PART because it does not need to be brought into direct contact with the PATIENT;
- the only part of an X-ray table that is an APPLIED PART is the top on which the PATIENT lies;
- likewise, in an MRI scanner, the only APPLIED PART is the table supporting the PATIENT.

However, a part that unintentionally comes into contact with an unconscious, anaesthetized or incapacitated PATIENT can present the same RISKS as an APPLIED PART that necessarily has to contact the PATIENT. On the other hand, a part that an active PATIENT can reach out and touch might present no more RISK to that PATIENT than it presents to an OPERATOR.

The definition in the first and second editions of this standard failed to address this problem. The second amendment to the second edition extended the definition to include parts that can be brought into contact with the PATIENT, but the new definition continued to cause difficulties.

In this edition, subclause 4.6 requires the RISK MANAGEMENT PROCESS to identify which parts, other than APPLIED PARTS, are subject to the same requirements as APPLIED PARTS. These can include parts of non-ME EQUIPMENT in an ME SYSTEM.

Particular standards should specifically identify the APPLIED PART(S) in particular types of ME EQUIPMENT.

In order to assess which parts are APPLIED PARTS and what are the PATIENT CONNECTIONS, the following PROCESS is employed in the order shown.

- a) Determine whether the ME EQUIPMENT has an APPLIED PART, and if it has, identify the extent of the APPLIED PART (these decisions being based on non-electrical considerations).
- b) If there is no APPLIED PART, there are no PATIENT CONNECTION(S).
- c) If there is an APPLIED PART, there can be one or more PATIENT CONNECTION(S). Even if the APPLIED PART has no accessible conductive parts, foil applied in accordance with 8.7.4.7 is regarded as one PATIENT CONNECTION.

d) Where a conductive part of the APPLIED PART is not in direct contact with the PATIENT, but is not separated and current can flow through such a part to or from the PATIENT, it is to be treated as an individual PATIENT CONNECTION.

NOTE Relevant separation requirements are those that relate to MEANS OF PATIENT PROTECTION.

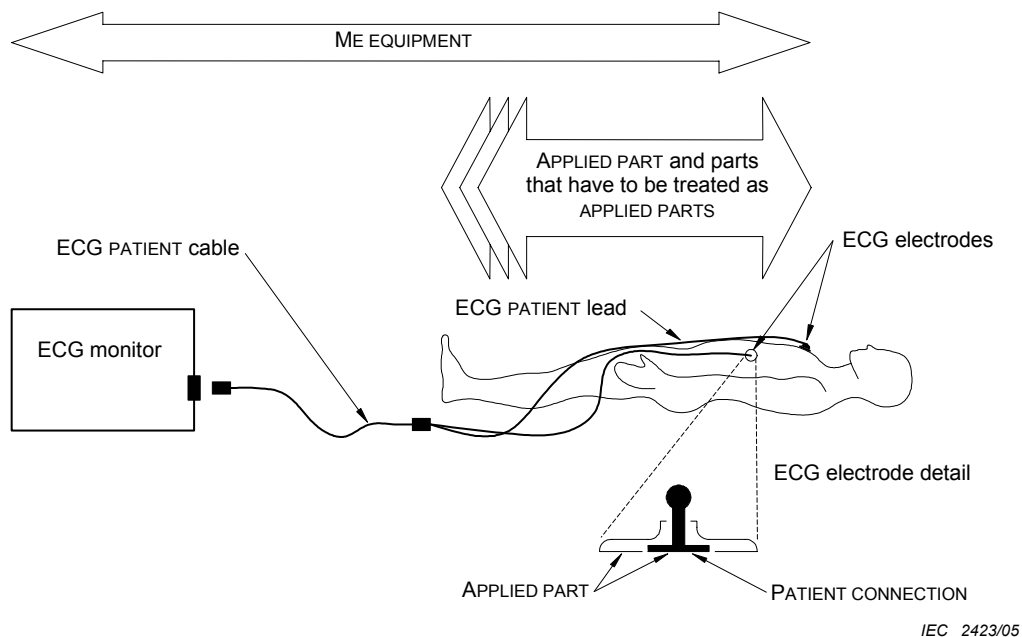
An APPLIED PART can include one or more functions. Each function can include one or more PATIENT CONNECTIONS. A PATIENT CONNECTION can be an electrode that is intended to carry current; or the electrical connection can be incidental to the purpose, for example with an intra-vascular fluid line or a PATIENT support.

See also the rationale for 3.78.

Figure A.1 to Figure A.7 (inclusive) provide examples of the way in which APPLIED PARTS and PATIENT CONNECTIONS are identified in order to apply the requirements for PATIENT LEAKAGE CURRENT and PATIENT AUXILIARY CURRENT in various ME EQUIPMENT and ME SYSTEMS.

Figure A.1 and Figure A.2 shows an ECG monitor that includes the ECG monitor, the PATIENT cable, PATIENT leads and the ECG electrodes. In Figure A.1 and Figure A.2:

- The APPLIED PART includes the electrodes and those parts of the PATIENT leads that need to physically contact the PATIENT in NORMAL USE.
- Application of RISK MANAGEMENT might identify other parts of the PATIENT cable have to be treated as APPLIED PARTS because of the probability they will come in contact with the PATIENT.
- The PATIENT CONNECTIONS consist of the ECG electrodes, which are all part of the same function of the APPLIED PART.



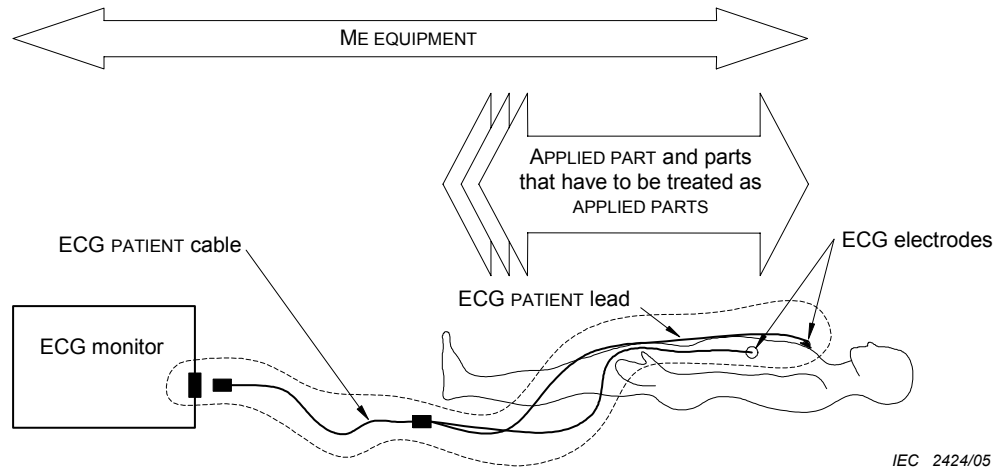
IEC 2423/05

Figure A.1 – Identification of ME EQUIPMENT, APPLIED PARTS and PATIENT CONNECTIONS in an ECG monitor

Figure A.2 shows the required F-TYPE APPLIED PART insulation. The parts within the dotted line are the PATIENT circuit.

In Figure A.2, the required APPLIED PART insulation is:

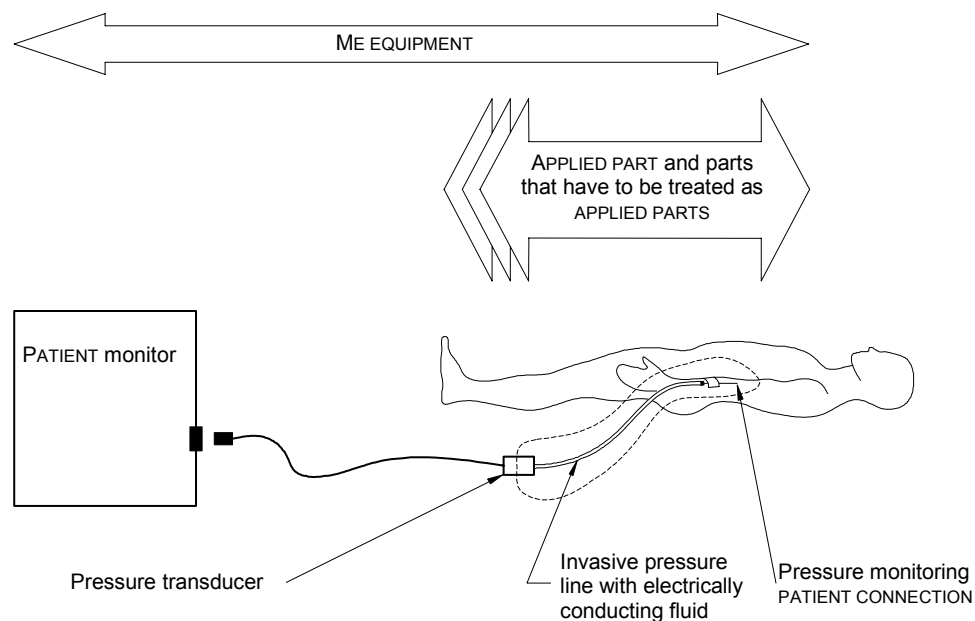
- one MEANS OF PATIENT PROTECTION between earth and parts within the dotted line based on the MAINS VOLTAGE;
- two MEANS OF PATIENT PROTECTION between earth and parts within the dotted line based on the voltage carried by these parts; and
- two MEANS OF PATIENT PROTECTION between live parts (including mains) and the parts within the dotted line.



IEC 2424/05

Figure A.2 – Example of the insulation of an F-TYPE APPLIED PART with the insulation incorporated in the ME EQUIPMENT

Figure A.3 shows an F-TYPE APPLIED PART with the insulation incorporated in a transducer. The parts within the dotted line are the PATIENT circuit. There are parts outside the dotted line that are subject to the requirements for APPLIED PARTS as determined through the RISK MANAGEMENT PROCESS.

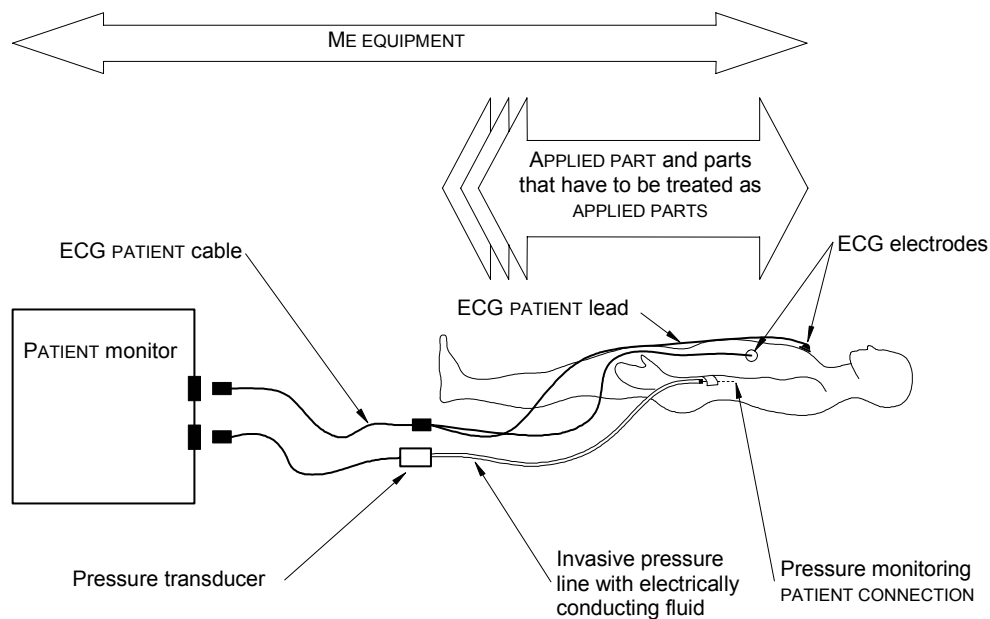


IEC 2425/05

Figure A.3 – Identification of ME EQUIPMENT, APPLIED PARTS and PATIENT CONNECTIONS in a PATIENT monitor with invasive pressure monitoring facility

Figure A.4 shows a PATIENT monitor with ECG and invasive pressure monitoring facilities. In this example:

- The ME EQUIPMENT includes the ECG monitor; the ECG PATIENT cable and its electrodes; and the pressure transducer and its fluid filled line.
- The APPLIED PART(s) include the ECG electrodes and those parts of the PATIENT cable that need to physically contact the PATIENT in NORMAL USE; and the fluid filled pressure monitoring line.
- Application of RISK MANAGEMENT might identify other parts of the ECG PATIENT cable or the pressure transducer that have to be treated as APPLIED PARTS because of the probability they will come in contact with the PATIENT.
- The ECG PATIENT CONNECTIONS consist of the ECG electrodes.
- The pressure monitoring PATIENT CONNECTION consists of the electrically conducting fluid in the pressure line. For the measurement of PATIENT LEAKAGE CURRENT and PATIENT AUXILIARY CURRENT, an electrode is placed in the electrically conducting fluid and treated as a single PATIENT CONNECTION.
- If the PATIENT CONNECTIONS associated with the ECG function are not electrically separated from the PATIENT CONNECTION associated with the pressure monitoring function, these are treated as two functions of the same APPLIED PART.
- If the PATIENT CONNECTIONS associated with the ECG function are electrically separated from the PATIENT CONNECTION associated with the pressure monitoring function, these are treated as separate APPLIED PARTS.

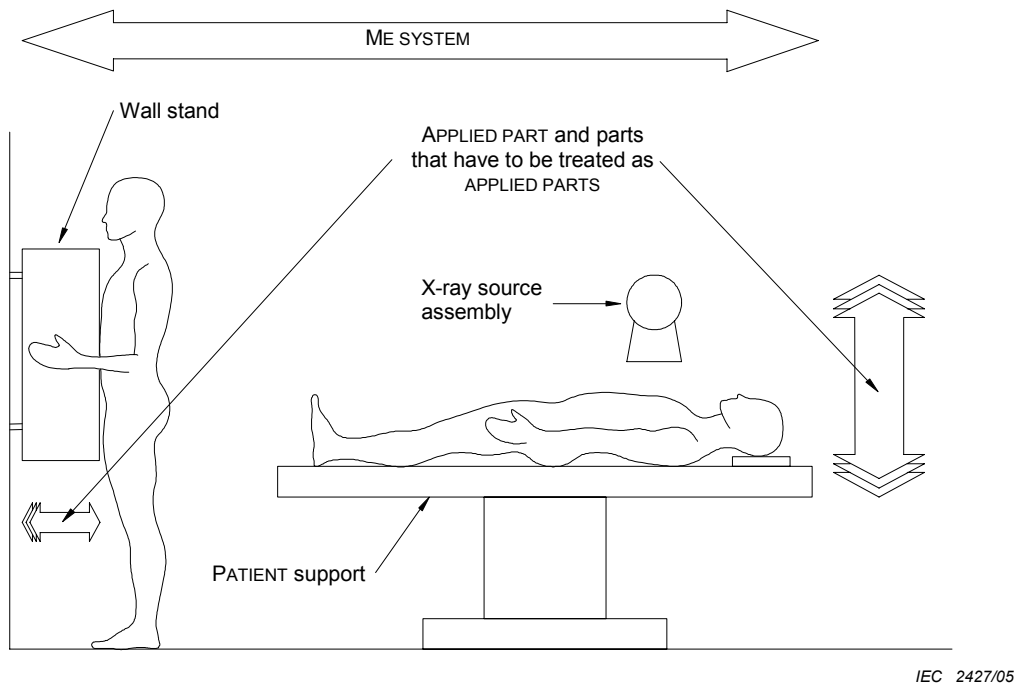


IEC 2426/05

Figure A.4 – Identification of ME EQUIPMENT, APPLIED PARTS and PATIENT CONNECTIONS in a multifunction PATIENT monitor with invasive pressure monitoring facilities

Figure A.5 shows an X-ray ME SYSTEM in which:

- The ME SYSTEM includes the X-ray tube assembly, the X-ray table and the wall stand, which are all items of ME EQUIPMENT. Other parts of the ME SYSTEM such as the X-ray generator and OPERATOR console are not shown.
- The APPLIED PART(s) include the top of the table and the front of the wall stand, as these parts need to physically contact the PATIENT in NORMAL USE.
- The application of RISK MANAGEMENT might identify some parts of the tube assembly and some other parts of the table and the wall stand have to be treated as APPLIED PARTS because of the probability they will come in contact with the PATIENT.
- The PATIENT CONNECTIONS consist of the conductive parts of these APPLIED PARTS that electrically contact the PATIENT.
- The MANUFACTURER can specify that the table and the wall stand are different functions of the same APPLIED PART.
- Alternatively, the MANUFACTURER can specify that the table and the wall stand are different APPLIED PARTS.

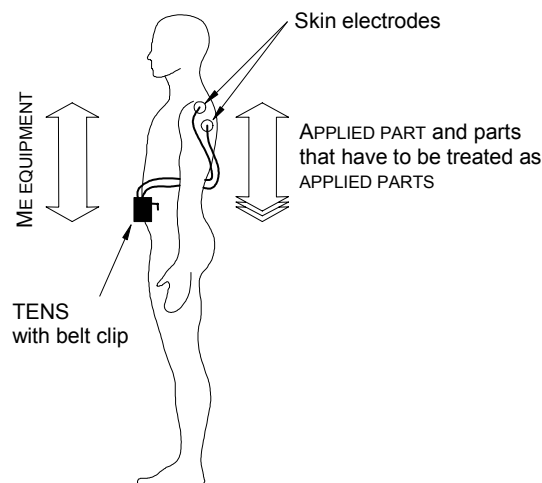


IEC 2427/05

Figure A.5 – Identification of APPLIED PARTS and PATIENT CONNECTIONS in an X-ray ME SYSTEM

Figure A.6 shows a transcutaneous electronic nerve stimulator (TENS) that is intended to be worn on the PATIENT'S belt and connected to electrodes applied to the PATIENT'S upper arm. In this case:

- The ME EQUIPMENT includes the TENS stimulator, the electrode cable and the electrodes.
- The APPLIED PART includes the electrodes and those parts of the electrode leads that physically need to contact the PATIENT in NORMAL USE.
- The application of RISK MANAGEMENT might identify that the case of the stimulator and its belt clip also have to be treated as APPLIED PARTS because of the probability they will come in contact with the PATIENT.
- The PATIENT CONNECTIONS consist of the electrodes, which are all part of the same function of this APPLIED PART.

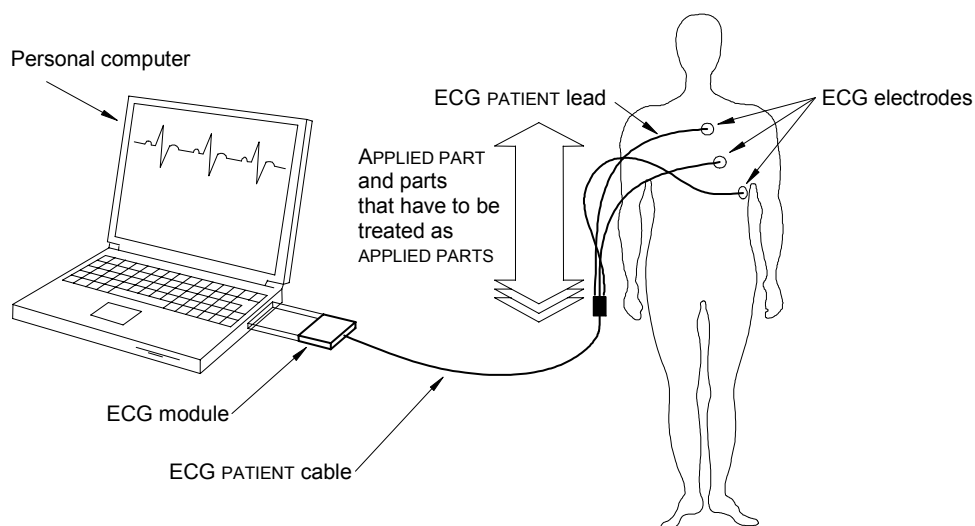


IEC 2428/05

Figure A.6 – Identification of ME EQUIPMENT, APPLIED PARTS and PATIENT CONNECTIONS in a transcutaneous electronic nerve stimulator (TENS) intended to be worn on the PATIENT'S belt and connected to electrodes applied to the PATIENT'S upper arm

Figure A.7 shows an ECG processing ME EQUIPMENT / ME SYSTEM in which:

- The ME SYSTEM includes the ECG module, PATIENT cable and electrodes, and the personal computer and any of its ACCESSORIES (not shown).
- The MANUFACTURER can choose to specify one of the following situations:
 - The ECG module and its PATIENT cable and electrodes are an item of ME EQUIPMENT; and the personal computer is not an item of ME EQUIPMENT. This would be an ME SYSTEM.
 - The ECG module and its PATIENT cable and electrodes are one item of ME EQUIPMENT; and the personal computer is a separate item of ME EQUIPMENT. This would also be an ME SYSTEM.
 - The ECG module and its PATIENT cable and electrodes together with the personal computer is a single item of ME EQUIPMENT and not an ME SYSTEM.
- The APPLIED PART includes the electrodes and those parts of the PATIENT cable that need to physically contact the PATIENT in NORMAL USE.
- Application of RISK MANAGEMENT might identify other parts of the PATIENT cable have to be treated as APPLIED PARTS because of the probability they will come in contact with the PATIENT.
- The PATIENT CONNECTIONS consist of the ECG electrodes, which are all part of the same function of the APPLIED PART.



IEC 2429/05

Figure A.7 – Identification of ME EQUIPMENT or ME SYSTEM, APPLIED PARTS and PATIENT CONNECTIONS in a personal computer with an ECG module

Subclause 3.9 – BASIC INSULATION

This definition does not include insulation used exclusively for functional purposes.

Subclause 3.10 – BASIC SAFETY

BASIC SAFETY relates to a device not harming the PATIENT incidental to its operation.

BASIC SAFETY is often a passive form of protection (such as radiation shielding or electrical grounding).

ESSENTIAL PERFORMANCE generally relates to ME EQUIPMENT or ME SYSTEMS operating as intended without creating a HAZARD. A failure of ESSENTIAL PERFORMANCE can be either a lack of performance (such as life supporting performance) or incorrect performance (such as delivering an incorrect dose to the PATIENT).

In general, BASIC SAFETY relates to product properties that are not device specific and ESSENTIAL PERFORMANCE relates to a class of products (such as a defibrillators being able to deliver the correct electrical shock).

While the terms BASIC SAFETY and ESSENTIAL PERFORMANCE are generally considered to be mutually exclusive, there are some HAZARDS that may relate to both BASIC SAFETY and ESSENTIAL PERFORMANCE concurrently.

Subclause 3.17 – COMPONENT WITH HIGH-INTEGRITY CHARACTERISTICS

The concept of high-integrity refers only to specific characteristics of the component. These characteristics are relied upon to ensure safety of the product. Such a COMPONENT WITH HIGH-INTEGRITY CHARACTERISTICS should be identified in the ACCOMPANYING DOCUMENTS by the MANUFACTURER (e.g. for maintenance). See also the rationale for 4.9.

Subclause 3.18 – CONTINUOUS OPERATION

While the terms CONTINUOUS OPERATION or non-CONTINUOUS OPERATION are used with regard to the ME EQUIPMENT, parts of the ME EQUIPMENT can be RATED differently. For example, an electrosurgical generator might be RATED for CONTINUOUS OPERATION while the APPLIED PART is RATED for non-CONTINUOUS OPERATION.

Subclause 3.20 – DEFIBRILLATION-PROOF APPLIED PART

A DEFIBRILLATION-PROOF APPLIED PART is protected only against discharges of defibrillators complying with IEC 60601-2-4 [15]. Higher voltage defibrillators could damage DEFIBRILLATION-PROOF APPLIED PARTS.

Subclause 3.21 – DETACHABLE POWER SUPPLY CORD

Cord sets are covered by IEC 60320-1.

Subclause 3.22 – DIRECT CARDIAC APPLICATION

A distinction is made between use of APPLIED PARTS that might come in direct contact with the PATIENT'S heart and all other circumstances of contact with the PATIENT. Ventricular fibrillation can be caused by a much smaller current flowing through a small contact area where a wire or catheter makes direct contact with the heart than a current flowing through any other point of contact on or in the PATIENT'S body.

Subclause 3.23 – DOUBLE INSULATION

BASIC INSULATION and SUPPLEMENTARY INSULATION can, if required, be tested separately. Where multiple layers of insulation cannot be tested separately, the insulation system is considered as REINFORCED INSULATION.

Subclause 3.24 – DUTY CYCLE

The terms "on time" and "off time" are considered to include "bursts" of operation and deactivation as well as CONTINUOUS OPERATION.

Subclause 3.26 – ENCLOSURE

The ENCLOSURE of ME EQUIPMENT or ME EQUIPMENT parts includes all ACCESSIBLE PARTS, knobs, grips, cables, connectors and the like. This includes any ACCESSIBLE PARTS of external connections between other separate parts.

Subclause 3.27 – ESSENTIAL PERFORMANCE

It has long been recognized that ME EQUIPMENT that does not perform properly could result in unacceptable RISK for PATIENTS, OPERATORS, or others. All features or functions that must perform properly to prevent HARM to the PATIENT, OPERATOR or others are important, but not every feature or function of ME EQUIPMENT is ESSENTIAL PERFORMANCE. When a failure to perform would result in unacceptable RISK for the PATIENT, OPERATOR or others, then those features or functions are, for the purposes of this standard, seen as ESSENTIAL PERFORMANCE.

Assessment of this RISK is made on the assumption that the performance aspect in question has been lost or degraded, and takes account of the probability that HARM would then occur (which in some instances could be 100 %) and the SEVERITY of that HARM. Application of the RISK MANAGEMENT PROCESS then ensures that the probability of loss of the performance aspect is low enough to make the RESIDUAL RISK acceptable.

A problem with ESSENTIAL PERFORMANCE exists when the feature or function in question is either absent or its characteristics are degraded to a point that the ME EQUIPMENT or ME SYSTEM is no longer suitable for its INTENDED USE.

Examples of ESSENTIAL PERFORMANCE are:

- accuracy of a life-supporting function or correct administration of a drug by a syringe pump where inaccuracy/incorrect administration would cause an unacceptable RISK to the PATIENT;
- the ability of an electrocardiograph/monitor to recover from the effects of the discharge of a defibrillator where the failure to recover could lead to an incorrect response by the medical staff that would present an unacceptable RISK to the PATIENT;
- correct operation of an alarm in an intensive care or operating room monitoring system where an incorrect/missing alarm could lead to an incorrect response by the medical staff that would present an unacceptable RISK to the PATIENT; or
- correct output of diagnostic information from ME EQUIPMENT that is likely to be relied upon to determine treatment, where incorrect information could lead to an inappropriate treatment that would present an unacceptable RISK to the PATIENT.

ESSENTIAL PERFORMANCE is identified without taking into account the probability of occurrence of factors that could result in a loss of functionality. These factors are taken into account in the RISK MANAGEMENT PROCESS.

Particular and collateral standards in the IEC 60601 family are expected to identify specific ESSENTIAL PERFORMANCE.

Subclause 3.33 – FUNCTIONAL CONNECTION

The defined term FUNCTIONAL CONNECTION is used to facilitate the definition of an ME SYSTEM. The FUNCTIONAL CONNECTION is a coupling between items of an ME SYSTEM, including the possibility of supplying power.

The phrase “or otherwise” could include mechanical, optical or wireless connections for example.

Subclause 3.35 – FUNCTIONAL EARTH TERMINAL

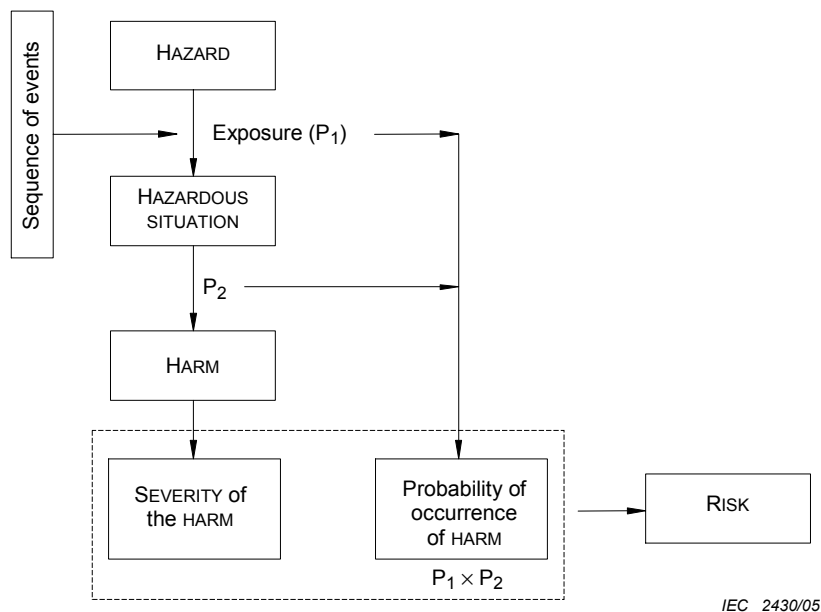
In ME EQUIPMENT, functional earth connections can be made by means of a FUNCTIONAL EARTH TERMINAL that is accessible to the OPERATOR. Alternatively this standard also allows a functional earth connection for CLASS II ME EQUIPMENT via a green and yellow conductor in a POWER SUPPLY CORD. In this case the parts to which this conductor is connected cannot be ACCESSIBLE PARTS (see 8.6.9), and have to be insulated from ACCESSIBLE PARTS.

Subclause 3.38 – HARM

The definition of HARM is based on the definition in ISO 14971 modified to include animals. This change was made since the scope of the IEC 60601-1 includes the safety of animals.

Subclause 3.40 – HAZARDOUS SITUATION

As used in this standard, a HAZARD cannot result in HARM until such time as a sequence of events or other circumstances (including NORMAL USE) lead to a HAZARDOUS SITUATION. As a result of the RISK MANAGEMENT PROCESS, the related RISK acceptability can be assessed by estimating both SEVERITY and probability of occurrence of the HARM that could result from this HAZARDOUS SITUATION (see Figure A.8 adapted from the draft text of the 2nd edition of the ISO 14971).



NOTE P_1 is the probability of a HAZARDOUS SITUATION occurring.
 P_2 is the probability of a HAZARDOUS SITUATION leading to a HARM.

Figure A.8 – Pictorial representation of the relationship of HAZARD, sequence of events, HAZARDOUS SITUATION and HARM

Subclause 3.44 – INTENDED USE

ISO 14971:2000 defined the compound term INTENDED USE/INTENDED PURPOSE because, at the time that version was being developed, there was no consensus on which term to use. The European Medical Device Directive uses “intended purpose,” whereas the United States regulations use “intended use.” Both terms have essentially the same definition. After some year of experience with applying ISO 14971, it has generally been accepted that the combined term is unwieldy and a consensus has emerged to use the shorter term “intended use.” The second edition of ISO 14971 (in preparation) is expected to use “intended use” as the preferred term with “intended purpose” being an “admitted term.” To avoid being out of step with the future edition of ISO 14971, this standard has adopted the shorter defined term INTENDED USE. The definition itself is identical to that in ISO 14971:2000 and to the definition that is expected to be in the second edition of ISO 14971.

Subclause 3.49 – MAINS PART

A definition of MAINS PART is needed to identify the parts to which certain requirements apply. The definition given in the first and second editions of this standard depended on another defined term, “conductive connection.” During the development of this edition, a difficulty with the definition of “conductive connection” became apparent and the requirements were revised so the defined term was no longer needed. This necessitated a new definition of MAINS PART focussing on the MEANS OF PROTECTION that separate the MAINS PART from other parts.

Subclause 3.50 – MAINS PLUG

A definition of MAINS PLUG is needed to identify the plug to which certain requirements apply. The words “mains plug” without a definition would also cover other connectors within ME EQUIPMENT that carry MAINS VOLTAGE.

Subclause 3.56 – MAXIMUM MAINS VOLTAGE

Several requirements and tests of this standard relate to the possibility that an unintended voltage originating from an external source becomes connected to the PATIENT or to certain parts of the ME EQUIPMENT. The actual magnitude of such a voltage is unknown but it is assumed to be related to the voltage of the SUPPLY MAINS in the location where the ME EQUIPMENT is used. See also the rationale for 8.5.3.

In the early stages of preparing this edition, a defined term “reference supply voltage” was introduced to avoid repetition of extensive wording. During the review of the National Committees’ comments on an early draft, it became apparent that there was some confusion between the defined term “reference supply voltage” and the undefined term “reference voltage” which was used in relation to the requirements for dielectric strength, CREEPAGE DISTANCES and AIR CLEARANCES.

In order to clarify the requirements, the term “reference supply voltage” has been replaced by MAXIMUM MAINS VOLTAGE and “reference voltage” has been replaced by the defined terms WORKING VOLTAGE and PEAK WORKING VOLTAGE.

Subclause 3.57 – MAXIMUM PERMISSIBLE WORKING PRESSURE

The MAXIMUM PERMISSIBLE WORKING PRESSURE is decided by a competent person, taking into account the original design specification, the manufacturer's rating, the current condition of the vessel and the circumstances of use.

In some countries, the figure could be reduced from time to time.

Subclause 3.58 – MEANS OF PROTECTION

One guiding principle in the development of the third edition of this standard was to make it less prescriptive than the second edition, especially Clauses 17 and 20 of the second edition. The concept of MEANS OF PROTECTION was conceived as a generic one that could cover a number of things such as PROTECTIVE EARTH CONNECTIONS, BASIC INSULATION, SUPPLEMENTARY INSULATION, impedances, etc; and that might also be expanded to include other things which serve in the same capacity but have not yet been envisaged or are not yet practical. This concept, with the general requirement for ME EQUIPMENT to have two MEANS OF PROTECTION, fitted in well with the single fault philosophy, which all agreed was to be retained in the third edition. It enables a consistent approach to carry through a design effort without getting bogged down in the wordy prescriptive subclauses.

The concept also fitted in well when it was decided to differentiate protection of PATIENTS from protection of OPERATORS.

Some National Committee comments during the development of this edition suggested that the concept could be extended to apply to protection against HAZARDS other than electric shock. However it was decided that such a change would not be justified by the benefits.

Subclause 3.59 – MEANS OF PATIENT PROTECTION

See the rationale for 8.5.1.

Subclause 3.60 – MEANS OF OPERATOR PROTECTION

See the rationale for 8.5.1.

Subclause 3.63 – MEDICAL ELECTRICAL EQUIPMENT

The present definition of ME EQUIPMENT excludes multiple connections to the same particular SUPPLY MAINS, but does not exclude different connectors to different particular SUPPLY MAINS. However, connection to more than one of different SUPPLY MAINS at the same time should be avoided. While it might be possible to design equipment with provision to be connected simultaneously to two different SUPPLY MAINS in an electrically safe manner, the particular HAZARDS that might arise have not been identified in this standard.

Subclause 3.64 – MEDICAL ELECTRICAL SYSTEM

It is common practice for MANUFACTURERS, RESPONSIBLE ORGANISATIONS and OPERATORS to connect ME EQUIPMENT and other medical or non-medical equipment to MULTIPLE SOCKET-OUTLETS. The inclusion of such arrangements within the definition of ME SYSTEM brings them within the scope of this standard and thus allows appropriate requirements to be specified for BASIC SAFETY and ESSENTIAL PERFORMANCE.

To minimize the impairment of the safety level of this standard, the connection of a MULTIPLE SOCKET-OUTLET to the SUPPLY MAINS is subject to certain conditions. Subclause 16.9.2.1 requires that MULTIPLE SOCKET-OUTLETS are constructed to comply with the requirements from this standard applying to ME EQUIPMENT.

Subclause 3.66 – MODEL OR TYPE REFERENCE

The MODEL OR TYPE REFERENCE is intended to establish the relationship of the ME EQUIPMENT to commercial and technical publications, to ACCOMPANYING DOCUMENTS and between separable parts of ME EQUIPMENT. It is also important for identifying of ME EQUIPMENT or ACCESSORIES in case of a safety alert or other required field action.

Subclause 3.67 – MULTIPLE SOCKET-OUTLET

The definition is derived from IEC 60884-1.

In the second edition of IEC 60601-1-1 [13], there were definitions for multiple portable socket-outlet and auxiliary mains socket-outlet. In this edition, these definitions have been merged.

A single socket-outlet forming part of an equipment is also considered a MULTIPLE SOCKET-OUTLET.

MULTIPLE SOCKET-OUTLETS are sometimes necessary and offer advantages and disadvantages, which have to be investigated in order to establish a balance. MULTIPLE SOCKET-OUTLETS might be necessary for the following reasons:

- to minimize the number of POWER SUPPLY CORDS lying on the floor;
- to allow all the equipment necessary for proper treatment or diagnosis to be used despite an insufficient number of FIXED mains socket-outlets;
- to improve mobility by having all equipment on one trolley;
- to reduce potential differences within the protective earth wiring to below those that occur in some FIXED installations.

The use of MULTIPLE SOCKET-OUTLETS should be avoided as far as possible for the following reasons:

- combined EARTH LEAKAGE CURRENTS could result in:
 - excessive EARTH LEAKAGE CURRENT in NORMAL CONDITION,
 - excessive TOUCH CURRENT in the SINGLE FAULT CONDITION of the broken PROTECTIVE EARTH CONDUCTOR of the MULTIPLE SOCKET-OUTLET supply cable;
- availability of the SUPPLY MAINS depends on the reliability of a single FIXED mains socket-outlet;
- a complete interruption of electrical supply is possible and might require a long set-up time to reactivate the complete ME SYSTEM;
- only one PROTECTIVE EARTH CONNECTION to the electrical installation is provided; this is less reliable than when each part of the ME SYSTEM is directly earthed;
- the protective earth resistance is increased.

The optimum solution includes installing an adequate number of FIXED mains socket-outlets according to appropriate installation rules.

Subclause 3.68 – NETWORK/DATA COUPLING

The definition of NETWORK/DATA COUPLING has been written so as not to be restricted to any particular technology, such as electronic transmission along wires. The definition allows for wireless electromagnetic transmission, infra-red, optical, etc., as well as any future technology.

Subclause 3.73 – OPERATOR

The OPERATOR is defined as the person who handles the equipment, which could be ME EQUIPMENT or any item of equipment in the context of an ME SYSTEM. This person could be:

- a health care professional using the equipment with a PATIENT,
- either a PATIENT or a layperson assisting a PATIENT in a home-care environment,
- a person who is using the equipment to compensate or alleviate the effects of disease, injury or disability, or
- the person that installs, assembles, maintains or repairs the equipment.

People who install, assemble, maintain or repair the equipment are also referred to in this standard as SERVICE PERSONNEL.

Many requirements in this standard are constructed so that SERVICE PERSONNEL experience the same RESIDUAL RISK as the person who uses the equipment for its INTENDED USE. However, SERVICE PERSONNEL, who are often engineers or engineering technicians, are expected to have certain competencies and to take account of the technical description. Other OPERATORS are expected to have different competencies and to follow the instructions for use. Therefore, this standard presumes in certain circumstances that the safety of SERVICE PERSONNEL depends partly on their knowledge and training to take appropriate precautions when gaining access to hazardous parts. The other OPERATORS are presumed to be competent to use the ME EQUIPMENT or ME SYSTEM but are not necessarily competent to avoid RISKS that can arise during servicing.

Subclause 3.75 – OXYGEN RICH ENVIRONMENT

At a 25 % oxygen concentration, the increase in the burning rate of a paper strip is only moderate (30 %) (per NFPA 99 [42]). In NFPA 99, 23,5 % is defined to be oxygen-enriched atmosphere that requires protective measures, but it allows this value also for oxygen chambers at pressures of more than 200 kPa. NASA allows concentrations of 25,9 % in its space shuttles (NFPA 53 [41]). UL 2601-1 [44] uses 25 % as threshold value. A sample of epoxy circuit board material burns incompletely at 20,9 % and 25,9 % (burning length of 3 cm and 8,3 cm) but completely at 30 % according to Rimanosky, E.M. et al., ASTM STP 1267 [36].

When first considering the relationship between flame rate and the amount of oxygen, it would seem reasonable that the flame rate would be proportional to the total locally available amount of oxygen, which is given by the partial pressure. However, experience shows that this is only true to a degree. Figures C-1.2.2(a) and (b) in NFPA 53:1999 and Figure A.3.3.14.4 in NFPA 99:2002 show that for paper strips the increase of flame rate with oxygen concentration at a set absolute pressure is stronger than the increase of flame rate with absolute pressure at a set concentration. For the borderline “complete combustion” to “incomplete combustion” the oxygen concentration seems to come to the same number (14 %) at high pressures, independent of the absolute (and partial) pressure. Therefore, to be on the safe side, two numbers are given in the definition. The concentration limit makes sure that for smaller ambient pressures than one atmosphere the danger does not increase. The partial pressure limit makes sure that for higher pressures (e.g. in oxygen chambers) the situation is safe.

Subclause 3.77 – PATIENT AUXILIARY CURRENT

PATIENT AUXILIARY CURRENT is a current that is necessary for:

- the ME EQUIPMENT to perform its function, e.g. electrical impedance imaging, monitoring of respiration by impedance changes;
- monitoring the correct operation of the ME EQUIPMENT, e.g. contact impedance of electrodes with the PATIENT;
- the functioning of the ME EQUIPMENT;

or that is incidental to the functioning of the ME EQUIPMENT. An example is the bias current of an amplifier for physiological signals.

PATIENT AUXILIARY CURRENT could have a function, but not a physiological function, or it could have no function.

Subclause 3.78 – PATIENT CONNECTION

One of the HAZARDS associated with the application of PATIENT CONNECTIONS is the fact that LEAKAGE CURRENT can flow through the PATIENT via the PATIENT CONNECTIONS. Particular limits are placed on the magnitude of these currents, both in the NORMAL CONDITION and in various fault conditions.

NOTE The current that flows through the PATIENT between various PATIENT CONNECTIONS is known as PATIENT AUXILIARY CURRENT. The LEAKAGE CURRENT that flows through the PATIENT to earth is known as PATIENT LEAKAGE CURRENT.

The definition of PATIENT CONNECTION is intended to ensure the identification of each individual part of the APPLIED PART between which current could flow as PATIENT AUXILIARY CURRENT, and from which PATIENT LEAKAGE CURRENT could flow into an earthed PATIENT.

In some cases it will be necessary to carry out PATIENT LEAKAGE CURRENT and PATIENT AUXILIARY CURRENT measurements to determine which parts of the APPLIED PARTS are individual PATIENT CONNECTIONS.

PATIENT CONNECTIONS are not always accessible to touch. Any conductive parts of the APPLIED PART that come into electrical contact with the PATIENT, or which are prevented from doing so only by insulation or air gaps that do not comply with the relevant dielectric strength tests or AIR CLEARANCE and CREEPAGE DISTANCE requirements specified in this standard, are PATIENT CONNECTIONS. See also the rationale for 3.8.

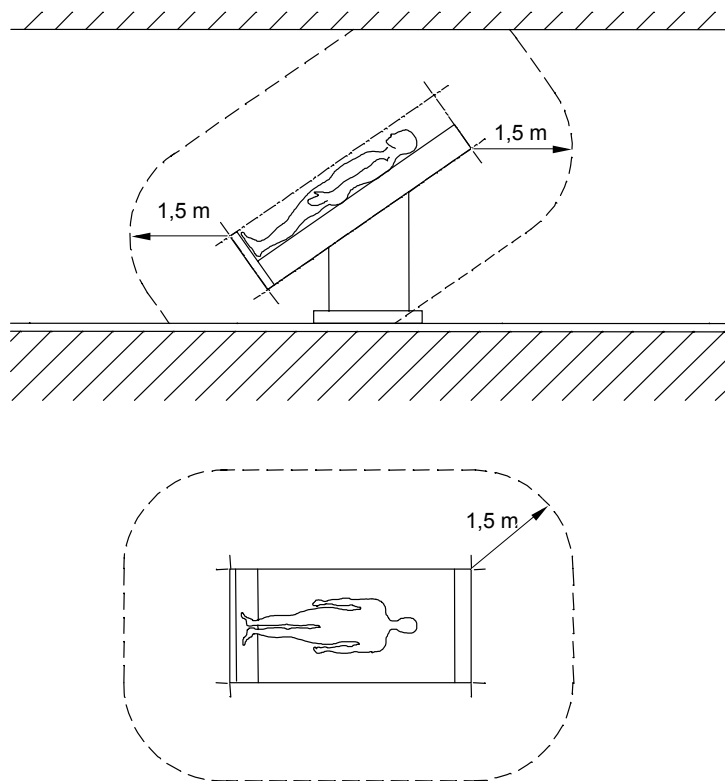
Examples include the following.

- A table top supporting a PATIENT is an APPLIED PART. Sheets do not provide adequate insulation and the conductive parts of the table top would therefore be classified as PATIENT CONNECTIONS.
- The administration set or needle of an infusion controller is an APPLIED PART. Conductive parts of the controller separated from the (potentially conducting) fluid column by inadequate insulation would be PATIENT CONNECTIONS.

Where an APPLIED PART has a surface of insulating material, 8.7.4.7 d) specifies that it is tested using foil or saline solution. This is then considered as a PATIENT CONNECTION.

Subclause 3.79 – PATIENT ENVIRONMENT

It is difficult for this standard to define dimensions for the volume in which diagnosis, monitoring or treatment occurs. The dimensions for the PATIENT ENVIRONMENT given in Figure A.9 have been justified in practice.



IEC 2431/05

NOTE The dimensions in the figure show minimum extent of the PATIENT ENVIRONMENT in a free surrounding.

Figure A.9 – Example of PATIENT ENVIRONMENT

Subclause 3.81 – PEAK WORKING VOLTAGE

This definition was taken from IEC 60950-1:2001, subclause 1.2.9.7. Use of this term along with the defined term WORKING VOLTAGE should make the INSULATION CO-ORDINATION requirements incorporated from IEC 60950-1 easier to understand for those already familiar with that standard. See also the rationale for 3.56.

Subclause 3.99 – REINFORCED INSULATION

The term “insulation system” does not imply that the insulation has to be one homogeneous piece. It could comprise several layers that cannot be tested separately as SUPPLEMENTARY or BASIC INSULATION.

Subclause 3.110 – SECONDARY CIRCUIT

This definition is based on the definition of the same term in IEC 60950-1:2001, subclause 1.2.8.4 and identifies circuits that are subject to lower transient overvoltages than the MAINS PART and therefore have lower values for dielectric strength test voltages and AIR CLEARANCES.

Subclause 3.112 – SEPARATION DEVICE

Assembly of equipment into an ME SYSTEM could involve connections that transfer power or signals. In both cases, the same separation requirements are needed.

Subclause 3.115 – SIGNAL INPUT/OUTPUT PART

If a SIGNAL INPUT/OUTPUT PART carries electrical signals, or if it carries non-electrical signals but nevertheless introduces a conductive connection to the other equipment (e.g. through an optical fibre cable with a metal sheath), appropriate separation from other circuits can be necessary to satisfy the requirements of this standard. Alternatively a SIGNAL INPUT/OUTPUT PART could have no conductive connections, in which case it will automatically satisfy the requirements for electrical BASIC SAFETY.

Subclause 3.120 – SUPPLY MAINS

An external d.c. power source (e.g. in an ambulance) is considered as a SUPPLY MAINS. ME EQUIPMENT specified for connection to such a power source has to satisfy all requirements for mains powered ME EQUIPMENT. In the past, some ME EQUIPMENT specified for such a power source has had a direct connection between the ENCLOSURE and one side of the supply, presumed to be at earth potential. In the event of interruption of the connection to this side of the supply, the ENCLOSURE of such ME EQUIPMENT assumes the supply potential and would therefore exceed the specified limit for TOUCH CURRENT. The first and second editions of this standard were intended to exclude such an arrangement, but this was not always understood by users of the standard. This rationale has been added to clarify the requirement.

Subclause 3.132 – TYPE B APPLIED PART

TYPE B APPLIED PARTS provide the lowest degree of PATIENT protection of all the types of APPLIED PART and are not suitable for DIRECT CARDIAC APPLICATION.

The PATIENT CONNECTION(S) of a TYPE B APPLIED PART could be:

- PROTECTIVELY EARTHED;
- connected to earth but not PROTECTIVELY EARTHED; or
- floating, but not isolated from earth to the degree that would be required for a TYPE BF APPLIED PART.

Subclause 3.133 – TYPE BF APPLIED PART

TYPE BF APPLIED PARTS provide a degree of PATIENT protection higher than provided by TYPE B APPLIED PARTS. This is achieved by isolating the PATIENT CONNECTIONS from earthed parts and other ACCESSIBLE PARTS of the ME EQUIPMENT, thus limiting the magnitude of current that would flow through the PATIENT in the event that an unintended voltage originating from an external source is connected to the PATIENT, and thereby applied between the PATIENT CONNECTIONS and earth. However, TYPE BF APPLIED PARTS are not suitable for DIRECT CARDIAC APPLICATION.

Subclause 3.134 – TYPE CF APPLIED PART

TYPE CF APPLIED PARTS provide the highest degree of PATIENT protection. This is achieved by increased isolation of the PATIENT CONNECTION from earthed parts and other ACCESSIBLE PARTS of the ME EQUIPMENT, further limiting the magnitude of possible current flow through the PATIENT. TYPE CF APPLIED PARTS are suitable for DIRECT CARDIAC APPLICATION insofar as PATIENT LEAKAGE CURRENT is concerned, though they could be unsuitable in other respects, such as sterility or biocompatibility.

Subclause 3.139 – WORKING VOLTAGE

This definition is taken from IEC 60950-1:2001, subclause 1.2.9.6. Use of this term along with the defined term PEAK WORKING VOLTAGE should make the INSULATION CO-ORDINATION requirements incorporated from IEC 60950-1 easier to understand for those already familiar with that standard. See also the rationale for 3.56.

Subclause 4.1 –Conditions for application to ME EQUIPMENT or ME SYSTEMS

The condition for application of RISK MANAGEMENT to ME EQUIPMENT and ME SYSTEMS includes reasonable foreseeable misuse. The MANUFACTURER identifies foreseeable misuse as part of the RISK ANALYSIS (see ISO 14971:2000, subclause 4.2). This identification could include the results of a USABILITY ENGINEERING PROCESS.

Subclause 4.2 –RISK MANAGEMENT PROCESS for ME EQUIPMENT or ME SYSTEMS

A change introduced in the third edition of this standard is that, in specifying minimum BASIC SAFETY and ESSENTIAL PERFORMANCE requirements, provision is made for assessing the adequacy of the design PROCESS where this provides an appropriate alternative to the application of laboratory testing with specific pass/fail criteria, (e.g. in assessing the safety of new technologies). Application of this principle leads to the introduction of a general requirement to carry out a RISK MANAGEMENT PROCESS as part of demonstrating compliance with this standard.

The MANUFACTURER is responsible for ensuring that the design and construction of the ME EQUIPMENT renders it suitable for its INTENDED PURPOSE and that any RISKS that are associated with its use are acceptable when weighed against the benefits. ISO 14971 specifies a PROCEDURE for the MANUFACTURER to identify HAZARDS associated with the ME EQUIPMENT or ME SYSTEM and its ACCESSORIES, to estimate and evaluate the RISKS associated with those HAZARDS, to control those RISKS, and to monitor the effectiveness of that control.

Compliance with the clauses of this standard that contains specific, verifiable requirements is presumed to reduce the associated RISK(S) to an acceptable level.

The MANUFACTURER of ME SYSTEMS should make this determination on a system level. The MANUFACTURER should assess RISKS resulting from the fact that individual system components have been integrated into one system. This assessment should include all aspects of the information exchanged between the system components. Even when these components are non-ME ELECTRICAL components, the potential RISK related to the integration of these components into the ME SYSTEM need to be considered. Further requirements for the integration of non-medical equipment into an ME SYSTEM are described in Clause 16. It gives the requirements for an ME SYSTEM and how RISKS associated with non-ME EQUIPMENT are addressed.

It should be noted that compliance with ISO 14971 does not require that the MANUFACTURER have a formal quality system in place.

This RISK MANAGEMENT PROCESS results in a set of RECORDS and other documents: the RISK MANAGEMENT FILE. Compliance of the RISK MANAGEMENT PROCESS is checked by inspection of the RISK MANAGEMENT FILE.

In all cases, the MANUFACTURER is to be considered the expert on the device being developed and on the HAZARDS associated with its use.

Where compliance tests are by inspection or review of the RISK MANAGEMENT FILE, only the relevant parts of the RISK MANAGEMENT FILE need to be reviewed, e.g. MANUFACTURER'S calculations or test results, or the determination of RISK acceptability.

Some requirements of this standard use the term unacceptable RISK, other requirements use the term HAZARDOUS SITUATION. All unacceptable RISKS result from a HAZARDOUS SITUATION, not all HAZARDOUS SITUATIONS result in an unacceptable RISK.

In deciding which term to use in a requirement the following rule has been used.

- Unacceptable RISK is used when the MANUFACTURER has to, or is permitted to, make a judgment about the acceptability of the RISK. This judgement needs to be supported by an appropriate rationale such as experience, historical data, etc.
- HAZARDOUS SITUATION is used when the possibility of HARM determines whether certain requirements apply. In these cases the only determination a MANUFACTURER has to make is whether or not a HAZARDOUS SITUATION exists; this determination is made regardless of the RISK resulting from that HAZARDOUS SITUATION.
- The term HAZARD is used when the HAZARD is not necessarily exposed.

Subclause 4.3 – ESSENTIAL PERFORMANCE

The concept of “safety” has been broadened from the BASIC SAFETY considerations in the first and second editions of this standard to include ESSENTIAL PERFORMANCE matters, (e.g. the accuracy of physiological monitoring equipment). Application of this principle leads to the change of the title from “Safety of medical electrical equipment, Part 1: General requirements for safety” in the second edition, to “Medical electrical equipment, Part 1: General requirements for basic safety and essential performance”.

For an explanation of ESSENTIAL PERFORMANCE, see the rationale for 3.27.

Subclause 4.4– EXPECTED SERVICE LIFE

The EXPECTED SERVICE LIFE needs to be determined by the MANUFACTURER, as part of the RISK MANAGEMENT PROCESS, as a precondition for assessing compliance with many requirements of this standard, such as 4.5, 4.7, 7.1.3, 8.6.3, 9.8.2 and 11.6.6.

In the ACCOMPANYING DOCUMENTS, the MANUFACTURER should provide information to allow the RESPONSIBLE ORGANIZATION to assess when the ME EQUIPMENT is approaching the end of its life. Such information should include the EXPECTED SERVICE LIFE as determined by the MANUFACTURER (e.g. in terms of years of service or number of uses) but could also include tests to be performed as part of preventive maintenance, or other criteria to allow the RESPONSIBLE ORGANIZATION to make an appropriate determination. The need for such information and the appropriate way to present it should be addressed as part of the RISK MANAGEMENT PROCESS.

Subclause 4.5 – Equivalent safety for ME EQUIPMENT or ME SYSTEMS

This subclause allows alternative means of achieving equivalent safety to be used. This is important as it permits a MANUFACTURER to use innovative solutions that might be safer or have other benefits, e.g. cost or performance.

Documentation in the RISK MANAGEMENT FILE should show that the RESIDUAL RISK achieved using the alternative means is acceptable because it is equal to or less than the RESIDUAL RISK achieved by applying the requirements of this standard.

If the RESIDUAL RISK is greater than the RESIDUAL RISK achieved by applying the requirements of this standard, the ME EQUIPMENT or ME SYSTEM cannot be regarded as complying with this standard, even if the RESIDUAL RISK is fully justified by other considerations such as the clinical benefit to the PATIENT.

Subclause 4.6 – ME EQUIPMENT or ME SYSTEM parts that contact the PATIENT

A part that unintentionally comes into contact with an unconscious, anaesthetized or incapacitated PATIENT can present the same RISKS as an APPLIED PART that necessarily has to contact the PATIENT. On the other hand, a part that an active PATIENT could reach out and touch might present no more RISK to that PATIENT than it presents to an OPERATOR.

The definition of APPLIED PART in the first and second editions of this standard failed to address this problem. The second amendment to the second edition extended the definition to include parts that can be brought into contact with the PATIENT, but the new definition continued to cause difficulties.

Since this standard now requires a RISK MANAGEMENT PROCESS to be followed, it is appropriate to use this PROCESS to establish whether such parts should be subject to the requirements for APPLIED PARTS or not.

The exclusion of marking requirements reflects the majority view of the National Committees that responded to an enquiry on the subject during the development of this edition. It would be confusing to OPERATORS if parts that are not intended to be APPLIED PARTS were marked like APPLIED PARTS.

Subclause 4.7 – SINGLE FAULT CONDITION for ME EQUIPMENT

The requirement that ME EQUIPMENT is SINGLE FAULT SAFE effectively puts a lower limit on the probability of occurrence of HARM from a HAZARD. If this probability is achieved then the RISK of the HAZARD is acceptable. In all cases where this discussion refers to the SEVERITY or probability of a particular HAZARD, it is intended to refer to the probability or SEVERITY of the HARM resulting from that HAZARD.

SINGLE FAULT SAFE is a concept that flows from the single fault philosophy described in IEC/TR 60513 [12]. SINGLE FAULT SAFE is a characteristic of ME EQUIPMENT that assures BASIC SAFETY during its EXPECTED SERVICE LIFE. For a high SEVERITY HARM, application of a RISK MANAGEMENT PROCESS can conclude that the single fault concept does not achieve an acceptable RISK.

The probability of simultaneous occurrence of two single faults is considered small enough to be negligible, provided that:

- a) a single fault causes operation of a protective device (e.g. a fuse, OVER-CURRENT RELEASE, safety catch, etc.) that prevents occurrence of a HAZARD, or
- b) a single fault is discovered by an unmistakable and clearly discernible signal that becomes obvious to the OPERATOR, or
- c) a single fault is discovered and remedied by periodic inspection and maintenance that is prescribed in the instructions for use. There is a finite probability that a second fault can arise before the next scheduled inspection and maintenance cycle. As with case a) above, for the probability of this double fault condition to be negligible, the probability of each fault has to be low. This means that the frequency of inspection and maintenance has to be high compared to the expected probability of occurrence of the fault. The longer the time that one SINGLE FAULT CONDITION remains present before being detected and rectified, the

greater the probability that a second fault will arise. Therefore, the MANUFACTURER might need to explicitly consider the detection time in relation to the occurrence of a possible second fault as part of RISK ANALYSIS.

Non-exclusive examples of the categories a) to c) are:

- REINFORCED OR DOUBLE INSULATION;
- CLASS I ME EQUIPMENT in case of a fault in BASIC INSULATION;
- abnormal indications of displays, defect in a redundant suspension cord causing excessive noise or friction;
- deterioration of a flexible PROTECTIVE EARTH CONDUCTOR that is moved in NORMAL USE.

Subclause 4.9 – Use of COMPONENTS WITH HIGH-INTEGRITY CHARACTERISTICS in ME EQUIPMENT

The first step to determine a COMPONENT WITH HIGH-INTEGRITY CHARACTERISTICS is to conduct a RISK ANALYSIS to find those characteristics that are required to maintain BASIC SAFETY or ESSENTIAL PERFORMANCE. Having done this, the appropriate component can be selected. Reference can be made to IEC component standards as part of the determination of the characteristics required.

TYPE TESTS of COMPONENTS WITH HIGH-INTEGRITY CHARACTERISTICS are only part of the required determination of suitability. Since a particular COMPONENT WITH HIGH-INTEGRITY CHARACTERISTICS has to function as intended or a HAZARD is likely to occur, additional considerations include as appropriate:

- continuous surveillance as part of the manufacturing PROCESS and also after assembly into the end product;
- particular characteristics of the device concerned;
- lot testing;
- calibration;
- control of manufacturing defects;
- maintenance;
- EXPECTED SERVICE LIFE of equipment;
- use of relevant component standards;
- failure mode characteristics;
- environmental conditions;
- anticipated misuse of equipment;
- interaction with other equipment.

Subclause 4.10 – Power supply

An alternating voltage is considered in practice to be sinusoidal if any instantaneous value of the waveform concerned differs from the instantaneous value of the ideal waveform at the same moment by no more than $\pm 5\%$ of the peak value of the ideal waveform.

A polyphase voltage system is considered to be symmetrical if neither the magnitude of its negative sequence components nor the magnitude of its zero sequence components exceeds 2 % of the magnitude of its positive sequence components.

A polyphase supply system is considered to be symmetrical if, when supplied from a symmetrical voltage system, the resulting current system is symmetrical. That is, the magnitude of neither the negative sequence current components nor the zero sequence current components exceeds 5 % of the magnitude of the positive sequence current components.

Clause 5 – General requirements for testing ME EQUIPMENT

In ME EQUIPMENT there could be many pieces of insulation, components (electrical and mechanical) and constructional features in which a failure would not produce a HAZARD to PATIENT, OPERATOR or surroundings, even though causing a deterioration in or a failure of performance of ME EQUIPMENT.

Subclause 5.1 – TYPE TESTS

The RISK MANAGEMENT PROCESS identifies the RISK CONTROL measures that are necessary to ensure that the ME EQUIPMENT is safe.

Unless otherwise specified in this standard, tests should not be repeated. This applies particularly to the dielectric strength tests, which are performed only at the MANUFACTURER'S site or in test laboratories.

In order to ensure that every individually produced item of ME EQUIPMENT conforms to this standard, the MANUFACTURER or installer should carry out such measures during manufacture or installation assembly as to ensure that each item satisfies all requirements even if it is not completely tested individually during manufacture or installation.

Such measures could take the form of:

- a) production methods (to ensure good manufacturing output and constant quality) where such quality would be related to safety;
- b) production tests (routine tests) performed on every produced item;
- c) production tests performed on a production sample where results would justify a sufficient confidence level.

Production tests need not be identical with TYPE TESTS, but can be adapted to manufacturing conditions and possibly invoking less RISK for the quality of the insulation or other characteristics important for BASIC SAFETY and ESSENTIAL PERFORMANCE.

Production tests would, of course, be restricted to settings (possibly derived from TYPE TESTS) that would provoke the worst case situation.

Depending upon the nature of ME EQUIPMENT, production methods or tests could concern critical insulation of the MAINS PART, of the PATIENT CONNECTIONS and the insulation or the separation between these parts.

Suggested test parameters could be LEAKAGE CURRENT and dielectric strength.

When applicable, the continuity of protective earthing can be a major test parameter.

Subclause 5.2 – Number of samples

The TYPE TEST sample or samples need to be representative of the units intended for the RESPONSIBLE ORGANIZATION.

Subclause 5.7 – Humidity preconditioning treatment

According to IEC 60529, the ENCLOSURE of ME EQUIPMENT that is RATED IPX8 prevents, under stated conditions, the entry of an amount of water where its presence could result in a HAZARD.

The test condition as well as the acceptable amount and location of water are to be defined in particular standards. If no ingress of water is tolerated (sealed ENCLOSURES) the application of the humidity preconditioning treatment is inappropriate.

Parts sensitive to humidity, normally used in controlled environments and which do not influence safety, need not be subjected to this test. Examples are: high-density storage media in computer-based systems, disc and tape drives, etc.

To prevent condensation when ME EQUIPMENT is placed in the humidity cabinet, the temperature of such a cabinet should be equal to or slightly lower than the temperature of the ME EQUIPMENT when it is introduced. To avoid the need for a temperature stabilization system for the air in the room outside the cabinet, the cabinet air temperature during the treatment is adapted to that of the outside air within the limits of the range of +20 °C to +32 °C and then “stabilized” at the initial value. Although the effect of the cabinet temperature on the degree of absorption of humidity is recognized, it is felt that the reproducibility of test results is not impaired substantially and the cost-reducing effect is considerable.

Subclause 5.9 – Determination of APPLIED PARTS and ACCESSIBLE PARTS

Except in special cases, such as PATIENT supports and waterbeds, contact with ME EQUIPMENT is supposed to be made with:

- one hand, simulated for LEAKAGE CURRENT measurements by a metal foil of 10 cm x 20 cm (or less if the total ME EQUIPMENT is smaller);
- one finger, straight or bent in a natural position, simulated by a test finger provided with a stop plate;
- an edge or slit that can be pulled outwards allowing subsequent entry of a finger, simulated by a combination of test hook and test finger.

Subclause 5.9.2.1 – Test finger

An ACCESS COVER is a part of the ENCLOSURE that can be removed in order to allow access to parts of electrical equipment for purposes of adjustment, inspection, replacement or repair. It is presumed that parts that can be removed without the use of a TOOL are intended to be replaced by any OPERATOR, not only by SERVICE PERSONNEL, even if this is not described in the instructions for use. OPERATORS other than SERVICE PERSONNEL might not be as well trained or experienced in good safety practices as SERVICE PERSONNEL. Therefore, extra safety precautions are needed to prevent accidental contact with hazardous voltages. That is why parts such as lamps, fuses, and fuseholders that can be removed without the use of a TOOL are to be removed before determining which parts inside the ACCESS COVER are to be considered ACCESSIBLE PARTS.

Fuseholders where the fuselink is held in a cap that can be removed without use of a TOOL are a special concern. If the fuselink does not come out when the cap is removed, the OPERATOR could be inclined to try to remove it by gripping the end of the fuselink with the fingers. The OPERATOR could try to insert a new fuselink into the fuseholder without first inserting it in the cap. Both cases can be considered reasonably foreseeable misuse. This should be taken into consideration with assessing what parts are accessible.

The reader is referred to IEC 60127-6 [7] for more information on fuseholders.

Clause 6 – Classification of ME EQUIPMENT and ME SYSTEMS

ME EQUIPMENT can have a multiple classification.

Subclause 6.2 – Protection against electric shock

The term “Class III equipment” is used in some other standards to identify equipment that is powered from a safety extra-low voltage (SELV) mains supply system. The term Class III equipment is not formally used in this standard. The BASIC SAFETY of Class III equipment is critically dependent on the installation and on other Class III equipment connected thereto. These factors are outside the control of the OPERATOR and this is considered to be unacceptable for ME EQUIPMENT. Additionally, limitation of voltage is not sufficient to ensure safety of the PATIENT. For these reasons, this standard does not recognize Class III construction.

Subclause 6.3 – Protection against harmful ingress of water or particulate matter

It should be noted that compliance with the requirements of this standard automatically allows MANUFACTURERS to rate ME EQUIPMENT as IP2X because the requirements of IEC 60529 for this rating are the same as the accessibility requirements (see 5.9).

Subclause 6.6 – Mode of operation

CONTINUOUS OPERATION and non-CONTINUOUS OPERATION cover the range of operating modes of virtually all equipment. ME EQUIPMENT that remains plugged into the SUPPLY MAINS continuously but is operated intermittently should be RATED for non-CONTINUOUS OPERATION, have the appropriate indication of on/off times in the ACCOMPANYING DOCUMENTS and markings on the ME EQUIPMENT (see 7.2.11).

Subclause 7.1.1 – Usability of the identification, marking and documents

For ME EQUIPMENT to be well designed, its markings and ACCOMPANYING DOCUMENTS should be clear, consistent, and help to reduce potential use error. Thus, markings and ACCOMPANYING DOCUMENTS should undergo the same rigorous evaluation as other OPERATOR-ME EQUIPMENT interface elements.

Subclause 7.1.2 – Legibility of markings

Markings on ME EQUIPMENT are expected to be CLEARLY LEGIBLE by an OPERATOR over the range of normal illumination levels where the ME EQUIPMENT is typically operated. The levels used in this test are derived from the following recommended illumination levels for use in interior lighting design [51]:

- 100 lx to 200 lx is recommended for working spaces where visual tasks are performed only occasionally;
- 500 lx to 1000 lx is recommended for visual tasks of small size or reading medium-pencil handwriting;
- 1 000 lx to 2 000 lx is recommended for visual tasks of low contrast or very small size: e.g. reading handwriting in hard-pencil on poor-quality paper.

If markings are not legible to the OPERATOR under the expected conditions of use, there would be an unacceptable RISK.

The Minimum Angle of Resolution (MAR) is a visual acuity measurement method developed as an improvement on the long-used Snellen scale. The values are expressed as a logarithm of the Minimum Angle of Resolution. Log MAR can be calculated from the Snellen scale, i.e. $\log \text{MAR} = \log(6/6) = 0$ for normal vision.

Subclause 7.1.3 – Durability of markings

The rubbing test is performed with distilled water, methylated spirits and isopropyl alcohol.

Ethanol 96% is defined in the European Pharmacopoeia as a reagent in the following terms: C₂H₆O (MW46.07).

Isopropyl alcohol is defined in the European Pharmacopoeia as a reagent in the following terms: C₃H₈O (MW60.1).

Subclause 7.2.2 – Identification

This subclause is intended to apply to any detachable component when misidentification could present a HAZARD. For examples, normal consumables would probably need to be identified, but a cosmetic cover would not need to be identified.

Although a MODEL OR TYPE REFERENCE usually denotes a certain performance specification, it might not denote the exact construction, including the applied components and materials. If this is required, the MODEL OR TYPE REFERENCE can be supplemented by a serial number. The serial number can be used for other purposes.

Indication of a manufacturing series only might not be sufficient if local requirements require individual identification.

It is characteristic of software that different versions can run on a PEMS. The identification of the software will often be on the user interface, although this might not be possible e.g. where the software does not have a user interface. Identification of the software could need special tools. For this reason, the requirement permits the identification to be only available to designated people.

Subclause 7.2.3 – Consult ACCOMPANYING DOCUMENTS

It is not intended in every case when the instructions for use contain warnings, that the ME EQUIPMENT be marked with IEC 60878 Safety 01 (see Table D.2, safety sign 10). Too many warnings and unnecessary warnings are counterproductive. Only when the MANUFACTURER, as a RISK CONTROL measure for a specific RISK, decides to mark the ME EQUIPMENT to instruct the OPERATOR to read the instructions for use, should safety sign IEC 60878 Safety 01 be used.

Subclause 7.2.4 – ACCESSORIES

RESPONSIBLE ORGANIZATIONS and OPERATORS need to be able to identify ACCESSORIES in order to know which ones can be used without impairing BASIC SAFETY or ESSENTIAL PERFORMANCE. A MODEL OR TYPE REFERENCE alone is not sufficient, because different MANUFACTURERS might use the same number. The name marked on the ACCESSORY could be that of the ME EQUIPMENT MANUFACTURER or a different name.

Subclause 7.2.10 – APPLIED PARTS

According to the second edition of this standard, the marking could be either on the APPLIED PART itself or adjacent to the connection point. Neither location is satisfactory in all cases.

Where a conductor that is not separated from PATIENT CONNECTIONS extends up to the point inside ME EQUIPMENT where an isolation barrier exists, a TYPE BF or TYPE CF marking on the APPLIED PART itself could mislead the RESPONSIBLE ORGANIZATION or the OPERATOR into believing that isolation is built into the APPLIED PART itself. If, on the other hand, the classification depends on the particular APPLIED PART in use, a single marking on the connection point would be inaccurate and multiple marking would be confusing.

For DEFIBRILLATION-PROOF APPLIED PARTS, if protection against the effect of the discharge of a cardiac defibrillator is partly in the PATIENT cable, a warning to the OPERATOR is necessary because there are non-obvious HAZARDS if the wrong cable is used. HAZARDS can include decreasing the defibrillation energy delivered to the PATIENT, damage to the ME EQUIPMENT with consequent loss of ESSENTIAL PERFORMANCE, or electric shock to the OPERATOR or other persons.

Subclause 7.2.12 – Fuses

Examples of marking for fuses complying with IEC 60127-1 are:

- T 315L, 250V
- T 315mAL, 250V
- F 1,25H, 250V
- F 1,25AH, 250V

The operating speed can be marked by the letter or colour codes in IEC 60127-1, which are as follows:

- very quick acting: FF, or black
- quick acting: F, or red
- medium time lag: M, or yellow
- time lag: T, or blue
- long time lag: TT, or grey

Subclause 7.3.2 – HIGH VOLTAGE parts

HIGH VOLTAGE parts present a significant electric shock HAZARD to SERVICE PERSONNEL and others who could be required to work inside the ME EQUIPMENT while it is energized. Because the parts are inside the ENCLOSURE, the RISK is perceived to be substantially less than that for HIGH VOLTAGE TERMINAL DEVICES located on the outside of the ME EQUIPMENT. Therefore, the “dangerous voltage” symbol (IEC 60417-5036) (DB:2002-10) is permitted as a marking to alert SERVICE PERSONNEL and others to the potential presence of these dangerous voltages. The MANUFACTURER is permitted to use a safety sign 3. The RISK MANAGEMENT PROCESS could determine that the safety sign is the most appropriate choice if the personnel exposed to the HAZARD have minimal training or might otherwise be unaware that HIGH VOLTAGE is present.

Subclause 7.3.4 – Fuses, THERMAL CUT-OUTS and OVER-CURRENT RELEASES

See the rationale for 7.2.12.

Subclause 7.8 – Indicator lights and controls

For colours of indicator lights see also IEC 60073 [5].

Subclause 7.9.1 – General

It is important that ME EQUIPMENT or an ME SYSTEM is not unintentionally used in an application for which it is not intended by its MANUFACTURER.

Subclause 7.9.2.1 – General

RESPONSIBLE ORGANIZATIONS and OPERATORS frequently deal with many different types of ME EQUIPMENT. Because of the complexity of modern ME EQUIPMENT, the instructions for use are an important part of the ME EQUIPMENT. Some commonality in the structure for the instructions for use could help OPERATORS to find needed material quickly and easily. However, because of the diversity of ME EQUIPMENT covered by this standard, no one format will be equally applicable to all ME EQUIPMENT. Therefore, the MANUFACTURER is encouraged, but not required, to use the sequence of topics in 7.9.2.2 to 7.9.2.16 as an outline when developing the instructions for use.

The problem of languages used in markings and in ACCOMPANYING DOCUMENTS cannot be solved by IEC. Even a requirement that identifications and ACCOMPANYING DOCUMENTS have to be in the national languages cannot be upheld world-wide.

Subclause 7.9.2.2 – Warning and safety notices

For CLASS I ME EQUIPMENT, where operation from either a SUPPLY MAINS or an INTERNAL ELECTRICAL POWER SOURCE is specified, the instructions for use should state that the INTERNAL ELECTRICAL POWER SOURCE is to be used if the integrity of the PROTECTIVE EARTH CONDUCTOR or the protective earthing system in the installation is in doubt.

Subclause 7.9.2.6 – Installation

The instructions for use can contain a statement saying that the MANUFACTURER, assembler, installer or importer considers himself responsible for the effect on BASIC SAFETY, reliability and performance of the ME EQUIPMENT or ME SYSTEM only if:

- appropriately trained personnel carry out assembly operations, extensions, readjustments, modifications or repairs;

- the electrical installation of the relevant room complies with the appropriate requirements; and
- the ME EQUIPMENT or ME SYSTEM is used in accordance with the instructions for use.

Subclause 7.9.2.7 – Isolation from the SUPPLY MAINS

A plug and socket provide suitable means for isolation from the SUPPLY MAINS to satisfy 8.11.1 a), but they would not be suitable if they were not readily accessible when needed.

Subclause 7.9.3.1 – General

According to the INTENDED USE of ME EQUIPMENT, the MANUFACTURER should specify the permissible environmental conditions for which a HAZARD is not induced. Environmental conditions such as the following are expected to be considered:

- the effect of humidity;
- the effect of temperature;
- the effect of atmospheric pressure;
- the effect of shock and vibration;
- the effect of ultra-violet radiation.
- the effect of the temperature of the water for water cooled ME EQUIPMENT;
- the effect of pollution.

Accuracy and precision are not possible to define in this standard. These concepts have to be addressed in particular standards.

The values listed below were used in the second edition of IEC 60601-1 to describe the range of environmental conditions over which ME EQUIPMENT was required to be safe.

- a) an ambient temperature range of + 10 °C to + 40 °C;
- b) a relative humidity range of 30 % to 75 %;
- c) an atmospheric pressure range of 70,0 kPa to 106,0 kPa;
- d) a temperature of the water at the inlet of water-cooled ME EQUIPMENT not higher than 25 °C.

These environmental conditions were based on the conditions in buildings without air-conditioning in climates where the ambient temperature occasionally reaches + 40 °C.

In the second edition of IEC 60601-1, the ME EQUIPMENT had to be safe when operated under the above conditions but it only needed to be fully operable under conditions specified by the MANUFACTURER in the ACCOMPANYING DOCUMENTS.

This edition specifies particular environmental conditions for some requirements and tests. Where this is not the case, ME EQUIPMENT has to remain safe and operate correctly over the range of environmental conditions specified by the MANUFACTURER in the ACCOMPANYING DOCUMENTS.

Attention is drawn to the fact that there was always a problem to apply a 40 °C environmental condition to a ME EQUIPMENT in cases where the APPLIED PART needed to operate at temperatures close to the 41 °C limit.

The second edition of IEC 60601-1 specified the following range of environmental conditions for transport and storage of ME EQUIPMENT unless otherwise specified by the MANUFACTURER:

- an ambient temperature range of - 40 °C to + 70 °C;
- a relative humidity range of 10 % to 100 %, including condensation;
- an atmospheric pressure range of 50 kPa to 106 kPa.

Amendment 2 to the second edition replaced the above list with a requirement that the MANUFACTURER state the permissible transport and storage conditions. However, in the absence of other information, the above list can serve as a useful starting point in determining the permissible limits.

Information on environmental parameters and a limited number of their severities within the range of conditions met by electrotechnical products when being transported, stored, installed and used can be found in the IEC 60721 series [18].

For PERMANENTLY INSTALLED high power ME EQUIPMENT, it might be necessary to control the voltage drop in the customer installation to prevent input voltage getting below the minimum normal voltage due to local conditions. Control can be done by specifying the required apparent impedance of the SUPPLY MAINS.

Subclause 7.9.3.4 – Mains isolation

SERVICE PERSONNEL need to know how to isolate the ME EQUIPMENT from the SUPPLY MAINS. This is not always obvious, particularly if there is a switch in the MAINS PART that does not meet the requirements of 8.11.

Clause 8 – Protection against electrical HAZARDS from ME EQUIPMENT

The fundamental principle for protection against electric shock is that the voltage or current between any accessible surface and any other accessible surface or earth is low enough not to present a HAZARD, in all relevant circumstances including NORMAL CONDITION and SINGLE FAULT CONDITION.

Requirements for achieving protection have been formulated in various ways in IEC basic safety standards, in previous editions of this standard, and in other IEC product standards.

In order for the fundamental principle to be satisfied:

- a) parts that are “live” (as defined in the second edition of this standard) or “hazardous live” (as defined in some other standards, such as IEC 61140 [23] and IEC 61010-1 [22]) have to be inaccessible (but see below regarding problems in identifying what is “live”) and
- b) ACCESSIBLE PARTS including APPLIED PARTS have to be not “live” / “hazardous live.”

NOTE The term “live” was defined in the second edition of this standard as, “State of a part which, when connection is made to that part, can cause a current exceeding the allowable LEAKAGE CURRENT (specified in Sub-clause 19.3) for the part concerned to flow from that part to earth or from that part to an ACCESSIBLE PART of the same EQUIPMENT.

These two requirements are in principle equivalent but some standards state both of them.

These requirements in turn imply that:

- c) ACCESSIBLE PARTS including APPLIED PARTS have to be separated from certain internal live parts: in general two separate MEANS OF PROTECTION are necessary, one to provide separation in NORMAL CONDITION and a second to maintain BASIC SAFETY in SINGLE FAULT CONDITION, and

d) LEAKAGE CURRENTS (and possibly also voltages and energies) have to be below acceptable limits.

Most standards include explicit requirements covering each of these aspects of providing protection. For example the first and second editions of this standard dealt with a) in Clause 16, with b) and d) in Clause 19 and with c) in Clauses 17, 18 and 20.

Requirement a) has typically been formulated as a requirement for the provision of ENCLOSURES or barriers to prevent contact with internal hazardous live parts. However it can alternatively be formulated in terms of the determination of which parts are accessible. Anyway the adequacy of ENCLOSURES or barriers is determined by use of the relevant test fingers and probes.

Application of the above approach to ME EQUIPMENT has presented some difficulties. The limits for voltage and current depend on how, if at all, the part(s) concerned can be connected to a PATIENT, e.g. directly to the heart, directly to other parts of the body, or indirectly via the OPERATOR. This has led to difficulties in identifying which parts are “live” parts.

The definition of “live” in the second edition of this standard refers to the allowable LEAKAGE CURRENT. The definition is therefore difficult to apply to internal parts for which no particular LEAKAGE CURRENT limits are specified.

Certain parts could be regarded as “live” (within the definition of the second edition of this standard) for some purposes and at the same time as not “live” for other purposes. For example an internal part that can source a current of, say, $200\ \mu\text{A}$ has to be separated from all ACCESSIBLE PARTS, including PATIENT CONNECTIONS in NORMAL CONDITION.

The separation from PATIENT CONNECTIONS of TYPE CF APPLIED PARTS has to remain effective in SINGLE FAULT CONDITION, because a current of $200\ \mu\text{A}$ from these is not permissible. The same part can however become connected to other ACCESSIBLE PARTS and PATIENT CONNECTIONS in SINGLE FAULT CONDITION.

Thus two MEANS OF PROTECTION (DOUBLE INSULATION or REINFORCED INSULATION) would be needed between such a part and the PATIENT CONNECTIONS of TYPE CF APPLIED PARTS, but a single MEANS OF PROTECTION (such as BASIC INSULATION alone) would be acceptable between such a part and other ACCESSIBLE PART.

Furthermore, requirements that specify the necessary separation between parts that are accessible and parts that are “live” do not easily take account of parts that are not “live” but can become “live,” such as the parts of a floating circuit that become “live” when a connection is made to another part of the same circuit.

Consider, for example, the simple situation shown in Figure A.10.

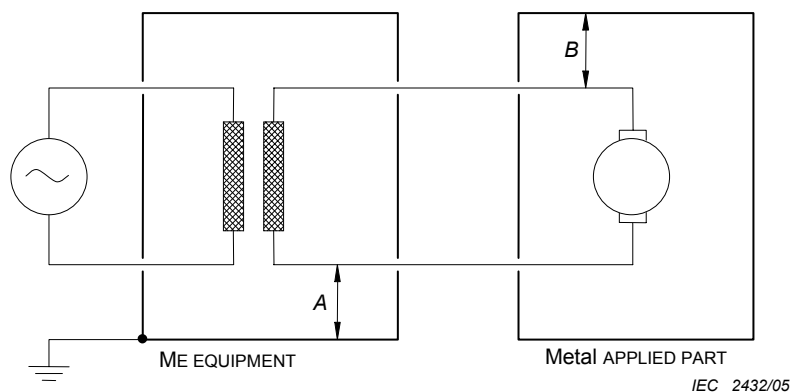


Figure A.10 – Floating circuit

The APPLIED PART has a metal ENCLOSURE that is not PROTECTIVELY EARTHED. If there is a direct connection at point A, then the other end of the SECONDARY CIRCUIT is “live,” and even the first edition of this standard would have required DOUBLE INSULATION or REINFORCED INSULATION at point B.

If, instead, there is a direct connection at point B, the first edition would have required only BASIC INSULATION at point A; but this was dealt with in the second edition by adding Subclause 20.2 B-e, which requires DOUBLE INSULATION or REINFORCED INSULATION at point A.

If however there is some insulation at both points A and B, then no part of the SECONDARY CIRCUIT is “live” according to the definition in the second edition, so the second edition of this standard specifies no requirements for that insulation, which can therefore be minimal. The German National Committee of the IEC discovered this problem in 1993, unfortunately just too late for it to be dealt with in the second (and final) amendment to the second edition of this standard. The approach adopted in this edition is intended to overcome this problem.

The formulation proposed for the third edition of this standard is to specify:

- 1) how to determine which parts are to be regarded as ACCESSIBLE PARTS (by inspection and where necessary by the use of appropriate test probes and fingers);
- 2) the permissible limits for voltage/current/energy in NORMAL CONDITION and relevant SINGLE FAULT CONDITIONS; these limits depend on the possible circumstances of connection to a PATIENT or to an OPERATOR;
- 3) that NORMAL CONDITION includes short circuit of any insulation, AIR CLEARANCE or CREEPAGE DISTANCE or impedance which does not comply with specified requirements for the relevant WORKING VOLTAGE, and open circuit of any earth connection which does not comply with the requirements for PROTECTIVE EARTH CONNECTIONS; and
- 4) that SINGLE FAULT CONDITIONS include short circuit of any insulation, AIR CLEARANCE or CREEPAGE DISTANCE which does comply with specified requirements for the relevant WORKING VOLTAGE, short circuit of any relevant component, and open circuit of any earth connection which does comply with the requirements for PROTECTIVE EARTH CONNECTIONS.

This approach avoids the need to include explicit separate requirements for particular protective means, as specified in existing IEC standards. Arguably it could avoid even a general requirement for two MEANS OF PROTECTION, as presently specified, but the working group considered that such a requirement is desirable.

Where requirements from the second edition that used the defined term “live” have been retained, they have been re-phrased so as not to use this term.

Generally, protection is obtained by a combination of:

- limitation of voltage or energy, or protective earthing (see 8.4 and 8.6);
- enclosing or guarding of energized circuits (see 5.9);
- insulation of adequate quality and construction (see 8.5).

The dielectric strength requirements are included to check the quality of the insulation material used at different places in the ME EQUIPMENT.

Subclause 8.1 – Fundamental rule of protection against electric shock**Subclause 8.1 a)**

Insulation not complying with 8.8, spacing less than specified in 8.9, etc. are not MEANS OF PROTECTION, but they could influence the voltages or LEAKAGE CURRENTS appearing on ACCESSIBLE PARTS including APPLIED PARTS. Measurements might therefore need to be made with such parts intact or bypassed, whichever is the worse case.

As there are in general no integrity requirements for signal connections, interruption of a functional earth connection has to be considered as a NORMAL CONDITION.

Subclause 8.1 b)

LEAKAGE CURRENTS are not generally measured in the SINGLE FAULT CONDITION of breakdown of BASIC INSULATION in CLASS I EQUIPMENT because either the LEAKAGE CURRENTS in this case flow only during the time before a fuse or OVER-CURRENT RELEASE operates or the use of an isolated power supply limits the LEAKAGE CURRENTS to safe values. Exceptionally, LEAKAGE CURRENTS are measured during short circuiting of BASIC INSULATION in cases where there are doubts concerning the effectiveness of PROTECTIVE EARTH CONNECTIONS inside the ME EQUIPMENT (see 8.6.4 b)).

In certain instances the short-circuit condition is not necessarily the worst case. As an example, an overvoltage device, intended to prevent damage to insulation, could fail in the open-circuit condition thereby no longer rendering its safety function. This could lead to damaged insulation. It is recognized that in most cases in this subclause, the open-circuit condition is superfluous but for select components it was acknowledged that the open-circuit condition is a valid failure mode. Components of ME EQUIPMENT are also addressed in 4.8.

With regard to the presence of the MAXIMUM MAINS VOLTAGE on an unearthed ACCESSIBLE PART including APPLIED PARTS, see the rationales for 8.5.2.2 and 8.7.4.7 d).

If ME EQUIPMENT were configured as shown in Figure A.11, interruption of the connection would result in excessive TOUCH CURRENT. This situation is therefore one of the SINGLE FAULT CONDITIONS that should be investigated.

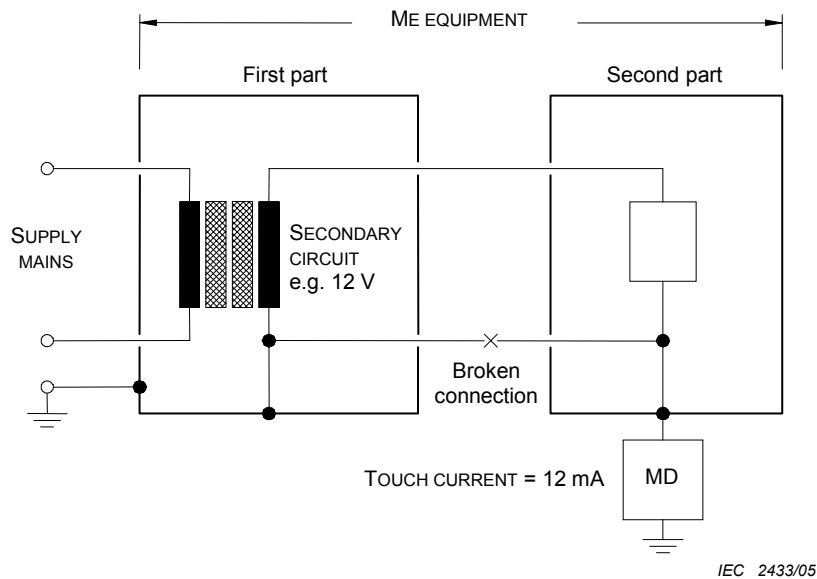


Figure A.11 – Interruption of a power-carrying conductor between ME EQUIPMENT parts in separate ENCLOSURES

Subclause 8.3 – Classification of APPLIED PARTS

Subclause 8.3 a)

ME EQUIPMENT intended for DIRECT CARDIAC APPLICATION having one or more TYPE CF APPLIED PARTS could have one or more additional TYPE B APPLIED PARTS or TYPE BF APPLIED PARTS that can be applied simultaneously (see also 7.2.10).

Similarly ME EQUIPMENT could have a mixture of TYPE B APPLIED PARTS and TYPE BF APPLIED PARTS.

Subclause 8.3 b)

Most particular standards developed for kinds of ME EQUIPMENT that have PATIENT electrodes require the APPLIED PARTS to be TYPE BF APPLIED PARTS or TYPE CF APPLIED PARTS. For similar kinds of ME EQUIPMENT for which no particular standards are available, it is better to include such a requirement in this standard than to allow such APPLIED PARTS to be TYPE B APPLIED PARTS. The TYPE B APPLIED PART classification is mainly used, in practice, for PATIENT supporting ME EQUIPMENT such as X-ray tables, not for PATIENT electrodes.

Subclause 8.3 d)

Parts identified according to 4.6 as needing to be subject to the requirements for APPLIED PARTS (except for marking) will typically contact PATIENTS less frequently than APPLIED PARTS, so the benefits of electrical separation from earth would be less. However in some cases the RISK MANAGEMENT PROCESS could identify a need for such parts to satisfy the requirements for TYPE BF APPLIED PARTS or TYPE CF APPLIED PARTS. This requirement reflects the majority view of the National Committees that responded to an inquiry on this subject during the preparation of this edition.

Subclause 8.4.1 – PATIENT CONNECTIONS intended to deliver current

This standard does not specify any limits for currents that are intended to produce a physiological effect in the PATIENT, but particular standards can do so. Any other currents flowing between PATIENT CONNECTIONS are subject to the specified limits for PATIENT AUXILIARY CURRENT.

Subclause 8.4.2 – ACCESSIBLE PARTS including APPLIED PARTS**Subclause 8.4.2 b)**

It is presumed that TOUCH CURRENT can reach the PATIENT by chance contact through various paths, including a path via the OPERATOR. The limits for TOUCH CURRENT therefore apply to all ACCESSIBLE PARTS except PATIENT CONNECTIONS, which are covered by 8.4.2 a), and parts that satisfy the conditions specified in 8.4.2 c).

Subclause 8.4.2 c)

There is little or no justification for the difference in the second edition between the cases where there is a cover that is removable without a TOOL and where there is no cover. The limit values have been harmonized with IEC 60950-1:2001 because Information Technology (IT) equipment is commonly used in ME SYSTEMS, and the values in IEC 60950-1 are not much different from those in the second edition of this standard. (60 V dc is the same, and 42,4 V peak is not much different from 25 V r.m.s.).

Essentially OPERATOR protection is now based on IEC 60950-1 and, therefore, we need to incorporate the protection requirements from that standard. Previously IEC 60601-1 did not have a requirement for protection against hazardous energy but there is a definite RISK from burn, fire and flying debris. This is now addressed using the requirement from IEC 60950-1:2001. The limit values have been established for many years in IEC 60950 and its predecessor standards. The maximum available energy is allowed to exceed 240 VA during the first 60 s after contact with the ACCESSIBLE PART (e.g. it takes time for the current limit circuit in a power supply to operate and during this time the hazardous energy level can be exceeded).

Subclause 8.4.2 d)

As well as parts that are determined to be ACCESSIBLE PARTS in accordance with 5.9, electrical contact with internal parts is supposed to be made with:

- a pencil or pen, held in a hand, simulated by a guided test pin;
- a necklace or similar pendant, simulated by a metal rod suspended over openings in a top cover;
- a screwdriver for adjustment of a preset control by the OPERATOR, simulated by an inserted metal rod.

Subclause 8.4.3 – ME EQUIPMENT intended to be connected to a power source by a plug

The 45 μC limit is the same as that specified in IEC 60335-1, which is based on the limits in IEC 60479-1 [11]. It is comparable (though not exactly equivalent) to the 100 nF limit specified in the second edition of this standard. With regard to BASIC SAFETY there is no reason to specify a more stringent limit between the line and earth pins, as in the second edition.

Subclause 8.4.4 – Internal capacitive circuits

The limit has been changed from the 2 mJ specified in the second edition of this standard to the same value as specified in the previous subclause, because whatever is safe for an OPERATOR, or even a PATIENT, who touches the pins of a MAINS PLUG is also safe for someone who opens an ACCESS COVER to gain access to the inside of ME EQUIPMENT.

Subclause 8.5.1 – MEANS OF PROTECTION

Two MEANS OF PROTECTION can be provided in several ways. The following are examples:

- 1) PATIENT CONNECTIONS and other ACCESSIBLE PARTS are separated from parts different from earth potential by BASIC INSULATION only, but PROTECTIVELY EARTHED and have such a low internal impedance to earth that LEAKAGE CURRENTS do not exceed the allowable values in NORMAL CONDITION and SINGLE FAULT CONDITION.
- 2) PATIENT CONNECTIONS and other ACCESSIBLE PARTS are separated from parts different from earth potential by BASIC INSULATION and an intermediate PROTECTIVELY EARTHED metal part, which could be a fully enclosing metal screen.
- 3) PATIENT CONNECTIONS and other ACCESSIBLE PARTS are separated from parts different from earth potential by DOUBLE or REINFORCED INSULATION.
- 4) Impedances of components prevent the flow to PATIENT CONNECTIONS and other ACCESSIBLE PARTS of LEAKAGE CURRENTS and PATIENT AUXILIARY CURRENTS exceeding the allowable values.

A survey of insulation paths is found in Annex J.

Previous editions of this standard also recognized the possibility of achieving separation by use of a PROTECTIVELY EARTHED intermediate circuit. However it is in general not possible for the whole of a circuit to be connected with very low impedance to the PROTECTIVE EARTH TERMINAL. Also, if one part of a circuit is earthed, other parts of the circuit are then different from earth potential, so have to be further separated from PATIENT CONNECTIONS and other ACCESSIBLE PARTS.

Air can form part or all of the BASIC INSULATION or SUPPLEMENTARY INSULATION.

In general DOUBLE INSULATION is preferable to REINFORCED INSULATION.

The first edition of this standard specified numerous pairs of parts between which separation was required, but the list was incomplete. It was expanded in the second edition but still remained incomplete, for example with regard to the situation illustrated in Figure A.10.

Discussion in the working group at an early stage of the development of this edition established that test houses actually have to identify the various circuits inside ME EQUIPMENT and the various points at which separation could be needed. This edition therefore specifies this PROCEDURE explicitly.

The distinction between MEANS OF OPERATOR PROTECTION and MEANS OF PATIENT PROTECTION was introduced in response to concerns that the requirements of previous editions of this standard for insulation testing, CREEPAGE DISTANCES and AIR CLEARANCES were too stringent.

Many ME SYSTEMS incorporate equipment complying with IEC 60950-1. Also many kinds of ME EQUIPMENT incorporate parts, such as power supplies, that have been primarily designed for use in equipment complying with IEC 60950-1. This led some experts and National Committees to propose that the requirements of this standard be harmonized with IEC 60950-1 as far as possible.

However the test voltages and the minimum values of CREEPAGE DISTANCES and AIR CLEARANCES specified in IEC 60950-1 are derived from IEC 60664-1 and are based on assumptions about possible overvoltages in mains and other circuits, particularly the frequency of occurrence of various levels of overvoltage. According to the understanding of the working group experts who revised the corresponding requirements of this standard, compliance with the requirements of IEC 60664-1 or IEC 60950-1 leaves a RISK that transient insulation breakdown could occur with a frequency up to about once per year.

The probability of occurrence of an OPERATOR coming in contact with a relevant part and with earth at the moment when breakdown occurs is low, so the RESIDUAL RISK is acceptable for ME EQUIPMENT, just as it is for IT equipment. However the probability of occurrence of a PATIENT being in contact with an APPLIED PART and with earth is significantly higher. The working group therefore decided that a larger margin of safety should be applied where PATIENT safety is concerned. However there was no reliable basis for deciding what additional margin might be applied to the values from IEC 60664-1, so the same values that were specified in the second edition of this standard have been retained for MEANS OF PATIENT PROTECTION.

For MEANS OF OPERATOR PROTECTION this revision of the standard allows the MANUFACTURER three options (see Figure A.12). One option is to apply the requirements of IEC 60950-1 and to identify the appropriate installation category and pollution degree. Alternatively, the MANUFACTURER can apply the values in the tables, which have been derived from IEC 60950-1 on the basis of reasonable assumptions about the installation category and pollution degree. The third option is to treat the MEANS OF OPERATOR PROTECTION as if it were a MEANS OF PATIENT PROTECTION.

Y capacitors are used to reduce radio frequency interference by providing a low impedance path to earth for high frequency a.c. They are also used for bridging DOUBLE or REINFORCED INSULATION as part of the interference suppression regime. There are four types: Y1, Y2, Y3 and Y4. Y1 capacitors are designed for use with three phase mains and have a WORKING VOLTAGE of up to 500 V a.c. and a withstand voltage of 4 000 V a.c. Y2 capacitors are designed for use with single phase mains and have a WORKING VOLTAGE up to 300 V a.c. and a withstand voltage of 2 500 V a.c. Y3 capacitors are similar to Y2 capacitors but have a WORKING VOLTAGE up to 250 V a.c. Y4 capacitors are designed for use with low voltage mains and have a WORKING VOLTAGE up to 150 V a.c. and a withstand voltage of 1 000 V a.c. These capacitors are safety critical since they provide a leakage path to earth or across a barrier. So they must be certified and monitored by a recognised test house to IEC 60384-14, which serves to control their manufacture.

One Y1 capacitor can be used to provide two MOOP's but only one MOPP (PATIENTS need a higher level of protection than OPERATORS). A Y2 capacitor can be used to provide one MOOP only.

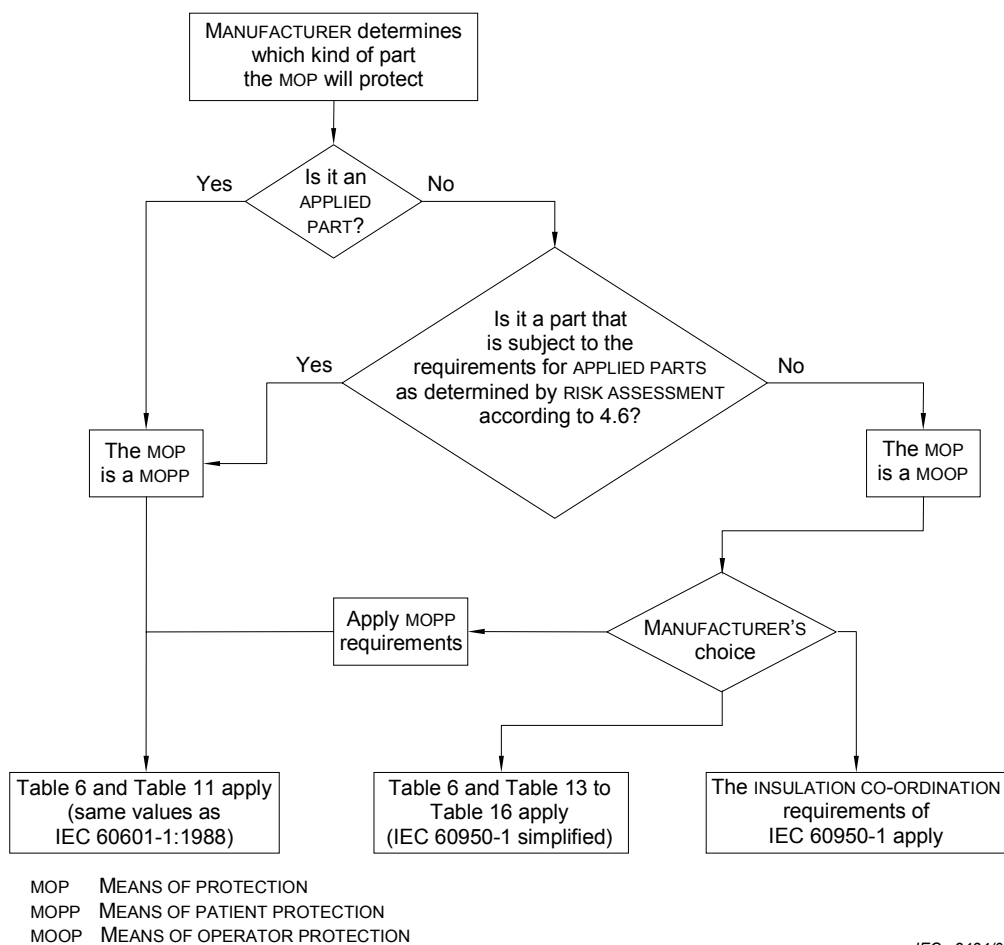


Figure A.12 – Identification of MEANS OF PATIENT PROTECTION and MEANS OF OPERATOR PROTECTION

Subclause 8.5.2.1 – F-TYPE APPLIED PARTS

The essential feature of an F-TYPE APPLIED PART is its separation from other parts. This subclause specifies and quantifies the necessary degree of separation.

Multiple functions can be considered as multiple APPLIED PARTS (which have to be separated from each other by one MEANS OF PATIENT PROTECTION) or as one APPLIED PART. This is decided by the MANUFACTURER after assessing the RISK that earthing of one or more of the PATIENT CONNECTION(S) of one function could result in excessive LEAKAGE CURRENT through the PATIENT CONNECTION(S) of another function, in the condition in which an unintended voltage originating from an external source becomes connected to the PATIENT.

The 500 V r.m.s. limit for protective devices was already specified in the first edition of this standard. The original rationale is not known, but this voltage corresponds to the highest RATED voltage specified in 4.10.

Subclause 8.5.2.2 – TYPE B APPLIED PARTS

This requirement addresses the possibility that an unintended voltage originating from an external source becomes connected to a part of the ME EQUIPMENT. In the absence of appropriate separation between such a part and PATIENT CONNECTIONS, an excessive PATIENT LEAKAGE CURRENT could result.

According to Clause 17 c) of the second edition of this standard, this requirement applied to all APPLIED PARTS, but in many cases it no longer applies:

- For F-TYPE APPLIED PARTS, the isolation required by 8.5.2.1 also covers this situation (but TYPE BF APPLIED PARTS require an additional test, as explained in the rationale to 8.7.4.7 d)).
- The RISK cannot arise if either the ME EQUIPMENT part concerned or the PATIENT CONNECTIONS of a TYPE B APPLIED PART are PROTECTIVELY EARTHED. (Failure of the PROTECTIVE EARTH CONNECTION together with the appearance of the unintended voltage would be a double fault condition.)
- If the ME EQUIPMENT part concerned is physically contiguous with the APPLIED PART (for example a dental handpiece) the requirement does not apply if the RISK of contact with a source of voltage or LEAKAGE CURRENT above permitted limits is acceptably low.

Subclause 8.5.2.3 – PATIENT leads

There are two sets of circumstances to guard against:

- firstly, for TYPE BF APPLIED PARTS and TYPE CF APPLIED PARTS, there should be no possibility of an accidental PATIENT-to-earth connection via any lead that can become detached from the ME EQUIPMENT; even for a TYPE B APPLIED PART an unwanted connection to earth can have an adverse effect on the operation of the ME EQUIPMENT;
- secondly, for all types of APPLIED PART, there should be no possibility of connecting the PATIENT accidentally to parts of ME EQUIPMENT or other conductive parts in the vicinity from which a current in excess of the allowable LEAKAGE CURRENT could flow.

An extreme case of the latter HAZARD would be a direct connection to the SUPPLY MAINS, resulting from insertion of the connector into a mains outlet or into the socket end of a DETACHABLE POWER SUPPLY CORD. It is essential to prevent this from occurring.

With certain combinations of PATIENT and MAINS CONNECTORS it will be possible to plug the PATIENT connector accidentally into the mains socket.

This possibility cannot reasonably be removed by dimensional requirements as to do so would make single-pole connectors excessively large. Such an incident is rendered safe by the requirement for the PATIENT connector to be protected by insulation having a CREEPAGE DISTANCE of at least 1,0 mm and a dielectric strength of at least 1 500 V. The latter on its own would not suffice as 1 500 V protection could easily be achieved by thin plastic foil that would not stand up to daily wear or to being pushed, possibly repeatedly, into a mains socket. For this reason also it can be seen that the insulation should be durable and rigid.

The wording of this requirement was modified from that in the second edition of this standard to avoid use of the phrases “conductive connection”, which was eliminated as a defined term. This change was a direct result of National Committee comments during the preparation of this edition.

According to the rationale in the second edition of this standard, the test in which the test finger is applied with a force of 10 N was intended “to check the strength of the insulating material.” This has now been supplemented by an explicit cross reference to 8.8.4.1.

In response to an enquiry, one National Committee stated that this test is “a mechanical test of the protective cover over the pin;” suggesting that the test was intended to apply specifically to one particular kind of connector design, in which the contact is surrounded by a movable sheath designed to allow contact with the correct mating connector but not with other parts.

During the development of this edition of this standard, the question arose whether this test should be restricted to single-pole connectors, as in the second edition of this standard, or should apply to multi-pole connectors as well. Some multi-pole connectors are of similar shape to single-pole connectors and could similarly be inserted into a MAINS CONNECTOR, so the same considerations of adequacy of insulation apply equally. On the other hand, typical kinds of multi-pole connectors that are in common use cannot be inserted into a MAINS CONNECTOR, but would fail this test if they were subject to it, because the test finger can easily touch their contacts, even without the application of a 10 N force.

A further enquiry to the National Committees yielded a range of responses, with reasonable consensus on some questions but no consensus as to whether this test should apply to all connectors or should be restricted to single-pole connectors.

This test should certainly apply to a multi-pole connector that is of such shape and size that it could be inserted into a mains socket. In this case, the RISK is the same as with a single-pole connector.

Another reason for applying this test to some multi-pole connectors is that the test with the flat plate does not exhaustively assess the possibility of contact with conductive parts in the vicinity from which a current in excess of the allowable LEAKAGE CURRENT could flow. Almost any kind of connector, if detached from the ME EQUIPMENT or dropped, could possibly make contact with something besides the intended mating connector, but the RISK depends on the shape of the connector and the circumstances. In most cases the RISK is low. For example a typical “D” connector is likely to make contact with an earthed object only momentarily, whereas a straight pin could make contact for a prolonged period. However even prolonged contact with a metal object can result in a HAZARD only if it occurs in combination with a fault or abnormal situation that allows an excessive current to flow through the PATIENT. The RISK is in all cases much less than the RISK if the connector can make contact with a mains socket. The requirements of this standard should be formulated in relation to the RISK. The standard should minimise RISK to the PATIENT, while allowing MANUFACTURERS a reasonable range of choice of connectors.

“Any connector” should be understood to include multiple contact connectors, several connectors and connectors in series.

The dimension of 100 mm diameter is not in the least important and merely serves to indicate the scale of the flat surface. Any sheet of conductive material larger than this would be suitable.

Subclause 8.5.3 – MAXIMUM MAINS VOLTAGE

Several requirements and tests of this standard relate to the possibility that an unintended voltage originating from an external source becomes connected to the PATIENT or to certain parts of the ME EQUIPMENT. The actual magnitude of such a voltage is unknown; but according to the second edition of this standard it was taken to be the highest RATED MAINS VOLTAGE, or for polyphase equipment the phase to neutral supply voltage. These values reflected a reasonable worst-case assumption that the actual unintended external voltage is unlikely to exceed the voltage of the SUPPLY MAINS in the location where the ME EQUIPMENT is used, and that ME EQUIPMENT is unlikely to be used in a location where the SUPPLY MAINS has a voltage

higher than its highest RATED MAINS VOLTAGE. For INTERNALLY POWERED ME EQUIPMENT the value specified was (and remains) 250 V, because this is the highest commonly encountered phase-to-neutral voltage in locations where ME EQUIPMENT is used.

In early drafts of this edition, the corresponding wording only referred to a.c. SUPPLY MAINS. This mistake was pointed out during the comment period. Discussion of this comment confirmed that the requirements should not depend on whether the SUPPLY MAINS is a.c. or d.c., but revealed a further anomaly. If ME EQUIPMENT is specified for connection to an extra-low voltage (ELV) SUPPLY MAINS (for example 12 V in an ambulance) but not to any higher voltage SUPPLY MAINS, the external voltage assumed for test purposes would be only the ELV. Such ME EQUIPMENT could however be used in locations where a higher voltage SUPPLY MAINS is also installed. The wording has therefore been revised to remove this anomaly.

If ME EQUIPMENT has a highest RATED supply voltage less than 100 V, it will necessarily be used in a special location where that supply is available, and we do not know what other supplies could also be present. Therefore the external voltage assumed for relevant tests is 250 V, as for INTERNALLY POWERED ME EQUIPMENT.

However ME EQUIPMENT having a highest RATED MAINS VOLTAGE of around 115 V is unlikely to be used in locations having higher voltage SUPPLY MAINS, so the external voltage assumed for relevant tests is equal to the highest RATED MAINS VOLTAGE, as in the second edition of this standard.

Subclause 8.5.4 – WORKING VOLTAGE

The dielectric strength test voltages specified in Table 6 are appropriate for insulation that is normally subjected to a continuous WORKING VOLTAGE and to transient overvoltages.

The WORKING VOLTAGE for each MEANS OF PROTECTION forming DOUBLE INSULATION is the voltage to which the DOUBLE INSULATION as a whole is subjected, because either MEANS OF PROTECTION can be subjected to this voltage if the other MEANS OF PROTECTION fails.

For insulation between two isolated parts or between an isolated part and an earthed part, the WORKING VOLTAGE could in some cases be equal to the arithmetic sum of the highest voltages between any two points within both parts.

For DEFIBRILLATION-PROOF APPLIED PARTS, a test voltage deduced on the basis of a WORKING VOLTAGE equal to the defibrillation peak voltage would be far too high for insulation that in NORMAL USE is exposed only occasionally to voltage impulses, normally shorter than 10 s and without additional overvoltage.

Subclause 8.5.5 – DEFIBRILLATION-PROOF APPLIED PARTS

The special test described in 8.5.5 is considered to ensure sufficient protection against exposure to defibrillation pulses, no separate dielectric strength test being necessary.

Subclause 8.5.5.1 – Defibrillation protection

One or the other of the defibrillation paddles could, by virtue of its clinical application, be connected to earth or at least referenced to earth.

When a defibrillator is used on the PATIENT, a HIGH VOLTAGE can thus be impressed either between one part of the ME EQUIPMENT and another, or between such parts collectively and earth. ACCESSIBLE PARTS should be adequately isolated from PATIENT CONNECTIONS or protected in some other way. The insulation of the PATIENT CONNECTIONS cannot be protected by voltage limiting devices relying on earthed connections.

The DEFIBRILLATION-PROOF APPLIED PART marking indicates that an APPLIED PART can safely remain attached to a PATIENT who is being defibrillated without any adverse effect on subsequent use of the ME EQUIPMENT.

The tests ensure:

- a) that any ACCESSIBLE PARTS of ME EQUIPMENT, PATIENT cables, cable connectors, etc. that are not PROTECTIVELY EARTHED will not deliver a hazardous level of charge or energy due to flashover of defibrillation voltage; and
- b) that the ME EQUIPMENT will continue to function (at least with regard to BASIC SAFETY and ESSENTIAL PERFORMANCE) after exposure to defibrillation voltage.

The requirement and the test PROCEDURE refer to “any necessary time” stated in the ACCOMPANYING DOCUMENTS. There is no requirement for the ACCOMPANYING DOCUMENTS to include a statement of a recovery time, but if there is no statement the ME EQUIPMENT has to recover and deliver its BASIC SAFETY and ESSENTIAL PERFORMANCE immediately.

The tests are conducted with the ME EQUIPMENT connected to the SUPPLY MAINS and in operation according to the instructions for use because the tests deal not only with the effect of the defibrillation energy on BASIC SAFETY but also on the ability of the ME EQUIPMENT to deliver its ESSENTIAL PERFORMANCE after the stated recovery time.

NORMAL USE includes the situation that a PATIENT is defibrillated while connected to the ME EQUIPMENT and, at the same time, the OPERATOR or another person is in contact with the ENCLOSURE. The possibility of this occurring at the same time as the SINGLE FAULT CONDITION of a defective PROTECTIVE EARTH CONNECTION is very unlikely and is therefore disregarded. However, interruption of functional earth connections is more probable, and is therefore required for these tests.

The SEVERITY of electric shock that a person receives when touching ACCESSIBLE PARTS during the discharge of a defibrillator is limited to a value (corresponding to a charge of 100 μC) which can be felt and which could be unpleasant, but which is not dangerous.

SIGNAL INPUT/OUTPUT PARTS are included, as signal lines to remote ME EQUIPMENT could otherwise carry energies that might be hazardous.

The test circuits of Figure 9 and Figure 10 of this standard are designed to simplify the test by integrating the voltage appearing across the test resistance (R_1).

The value of the inductance L in the test circuits of Figure 9 and Figure 10 is chosen to provide a shorter than normal rise time in order to test adequately the incorporated protective means.

Rationale for impulse test voltage

When a defibrillation voltage is applied to the thorax of a PATIENT, via externally applied paddles (or defibrillation electrodes), the body tissue of the PATIENT in the vicinity of the paddles and between the paddles becomes a voltage dividing system.

The voltage distribution can be gauged roughly using three-dimensional field theory but is modified by local tissue conductivity that is far from uniform.

If the electrode of another item of ME EQUIPMENT is applied to the PATIENT, roughly within the compass of the defibrillator paddles, the voltage to which such an electrode is subjected depends on its position but will generally be less than the on-load defibrillation voltage.

Unfortunately it is not possible to say how much less as the electrode in question can be placed anywhere in this area, including immediately adjacent to one of the defibrillator paddles. In the absence of a relevant particular standard, it is required that such an electrode and the ME EQUIPMENT to which it is connected is able to withstand the full defibrillation voltage. This is the no-load voltage as one of the defibrillator paddles might not be making good contact with the PATIENT.

This standard therefore specifies 5 kV d.c. as the appropriate test voltage in the absence of a relevant particular standard.

Applying Subclause 4.5, a MANUFACTURER is allowed to use alternate means to address a RISK covered by this standard if the RESIDUAL RISK after applying the alternate means is equal or less than the RESIDUAL RISK after applying the requirements of this standard. It is possible for a MANUFACTURER to determine that a lower test voltage is appropriate depending on the INTENDED USE of the ME EQUIPMENT and the location of the APPLIED PARTS on the PAIENT if it can be demonstrated that the test voltage selected is the maximum voltage that can appear on the APPLIED PART with 5 kV applied to the chest. Such parts can be classified and marked as a DEFIBRILLATION-PROOF APPLIED PARTS.

Subclause 8.6 – Protective earthing, functional earthing and potential equalization of ME EQUIPMENT

Typically, metal ACCESSIBLE PARTS of CLASS I ME EQUIPMENT are PROTECTIVELY EARTHED. However, they could be separated by other MEANS OF PROTECTION, in accordance with 8.5. Also some metal ACCESSIBLE PARTS could be earthed incidentally, neither by a PROTECTIVE EARTH CONNECTION nor for functional purposes. For example, such a part could be in contact with another part that is PROTECTIVELY EARTHED but does not itself need to be PROTECTIVELY EARTHED.

Subclause 8.6.1 – Applicability of requirements

PROTECTIVE EARTH CONNECTIONS that are only relevant to the safety of OPERATORS are allowed to comply either with the requirements of this standard or with those of IEC 60950-1, but the latter alternative is not allowed for PROTECTIVE EARTH CONNECTIONS that are relevant to the safety of both OPERATORS and PATIENTS.

Subclause 8.6.2 – PROTECTIVE EARTH TERMINAL

These requirements are intended to ensure a reliable connection between the ME EQUIPMENT and the protective earthing system of the electrical installation.

Subclause 8.6.3 – Protective earthing of moving parts

Connections to moving parts, whether made by sliding contacts, by flexible wires or by any other means, could be more susceptible than ordinary FIXED connections to deterioration during the EXPECTED SERVICE LIFE of the ME EQUIPMENT. Therefore, they are not acceptable as PROTECTIVE EARTH CONNECTIONS unless their reliability is demonstrated.

Subclause 8.6.4 a)

PROTECTIVE EARTH CONNECTIONS can only perform their protective function if they are able to carry the fault current resulting from a failure in BASIC INSULATION.

Such a current is assumed to have sufficient amplitude to cause operation of protective devices in the electrical installation (fuses, circuit-breakers, earth leakage circuit-breakers and the like) in a reasonably short time.

It is therefore necessary to check both the impedance and the current-carrying capability of PROTECTIVE EARTH CONNECTIONS.

The minimum time required for the test current is intended to reveal any overheating of parts of the connection due to thin wiring or a bad contact. Such a “weak spot” might not be discovered by resistance measurement alone.

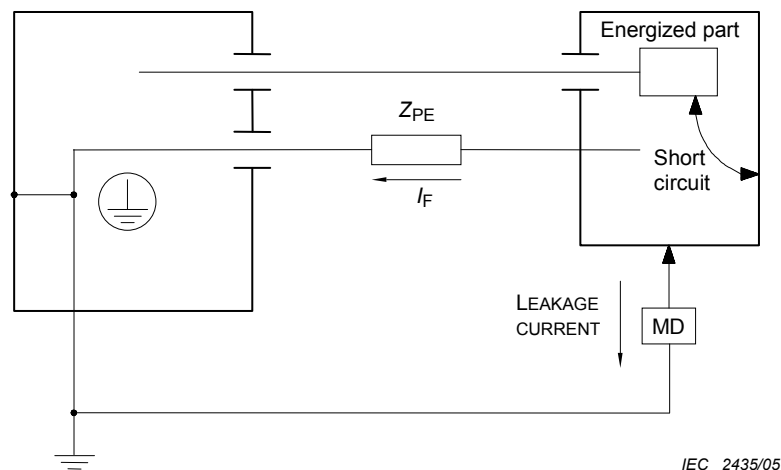
PROTECTIVE EARTH CONNECTIONS can have zones of higher impedance, for example due to oxidation of materials. Use of a current source with an unlimited voltage could prevent detection of such zones because of their ability to flash through. The impedance is therefore determined first, using a limited voltage.

If this voltage is sufficient to drive the specified test current through the total impedance, then this one test also serves to demonstrate the current-carrying capability of the connection. Otherwise an additional test is necessary, either using a higher voltage or by assessing the cross-sectional area of the connection by inspection.

Subclause 8.6.4 b)

The fault current could be limited to a relatively low value because of inherent impedance or the characteristic of the power source, for example where the power system is not connected to earth or connected to it via a high impedance (see Figure A.13).

In such cases, the cross-section of the PROTECTIVE EARTH CONNECTION can be determined primarily by mechanical considerations.



Legend

Z_{PE} = Impedance of PROTECTIVE EARTH CONNECTION in ohms (exceeding the limit specified in 8.6.4 a))

I_F = Maximum continuous prospective fault current in amperes in the PROTECTIVE EARTH CONNECTION caused by a single failure of the insulation to earth

MD Measuring device (see Figure 12)

NOTE The figure shows ME EQUIPMENT having a main ENCLOSURE and a remote part in a separate ENCLOSURE, as an example of a situation where the impedance of a PROTECTIVE EARTH CONNECTION could exceed the limit specified in 8.6.4 a); however this situation could also exist in ME EQUIPMENT having a single ENCLOSURE.

Figure A.13 – Allowable protective earth impedance where the fault current is limited

Subclause 8.6.7 – POTENTIAL EQUALIZATION CONDUCTOR

Medically used rooms in most countries have no facilities for the use of detachable POTENTIAL EQUALIZATION CONDUCTORS. This standard therefore does not require any means to be provided for the connection of a POTENTIAL EQUALIZATION CONDUCTOR to the ME EQUIPMENT. If however the ME EQUIPMENT does have such means, for use in locations where POTENTIAL EQUALIZATION CONDUCTORS are used, the appropriate requirements have to be satisfied.

Subclause 8.6.9 – CLASS II ME EQUIPMENT

This requirement allows a CLASS II ME EQUIPMENT to have a connection to protective earth for functional reasons only. Green/yellow is required to avoid confusion in installation. The allowance does not degrade the degree of protection against electric shock.

Subclause 8.7.2 – SINGLE FAULT CONDITIONS

Short circuiting of one part of DOUBLE INSULATION would be likely to increase LEAKAGE CURRENT by a factor of the order of 2. In some cases the test could be difficult to carry out and, as the allowable values for SINGLE FAULT CONDITION are five times those for NORMAL CONDITION, the test would not provide useful information.

Subclause 8.7.3 – Allowable values, Table 3 and Table 4

The value of electric current flowing in the human or animal body that can cause a certain degree of stimulation varies from individual to individual, according to the way in which the connection to the body is made and according to the frequency of the current applied and its duration.

Currents of low frequency flowing directly into or through the heart considerably increase the danger of ventricular fibrillation. For currents of medium or high frequency, the RISK of electric shock is less or negligible, but the RISK of burning remains.

The sensitivity of the human or animal body to electric currents, depending upon the degree and nature of contact with the ME EQUIPMENT, leads to a system of classification reflecting the degree and quality of protection provided by the APPLIED PARTS (classified as TYPE B APPLIED PARTS, TYPE BF APPLIED PARTS and TYPE CF APPLIED PARTS). TYPE B APPLIED PARTS and TYPE BF APPLIED PARTS are generally suitable for applications involving external or internal contact with the PATIENT, excluding the heart. TYPE CF APPLIED PARTS are suitable for DIRECT CARDIAC APPLICATIONS with regard to LEAKAGE CURRENT.

In conjunction with this classification, the requirements for allowable LEAKAGE CURRENT have been formulated. The absence of sufficient scientific data concerning the sensitivity of the human heart for currents causing ventricular fibrillation still presents a problem.

Nevertheless, the publication of the first edition of this standard in 1977 provided engineers with data enabling them to design ME EQUIPMENT; and these requirements have proved over the years since then to ensure a very low level of RISK without being too onerous for designers.

The requirements for LEAKAGE CURRENT were formulated taking into account:

- that the possibility of ventricular fibrillation is influenced by factors other than only electrical parameters;
- that the values for allowable LEAKAGE CURRENTS in SINGLE FAULT CONDITION should be as high as is considered safe, taking into account statistical considerations, in order not to present designers with unnecessary difficulties; and
- that values for NORMAL CONDITION are necessary to create a safe condition in all situations by providing a sufficiently high safety factor with respect to SINGLE FAULT CONDITIONS.

The measurement of LEAKAGE CURRENTS has been described in a way that enables the use of simple instruments, avoiding different interpretations of a given case and indicating possibilities for periodic checking by the RESPONSIBLE ORGANIZATION.

Allowable values of LEAKAGE and PATIENT AUXILIARY CURRENTS for a.c. and d.c. composite waveforms with frequencies up to and including 1 kHz take account of the following considerations.

- d) In general the RISK of ventricular fibrillation or pump failure increases with the value or duration, up to a few seconds, of the current passing through the heart. Some areas of the heart are more sensitive than others. That is, a current that causes ventricular fibrillation when applied to one part of the heart could have no effect when applied to another part of the heart.
- e) The RISK is highest and approximately equal for frequencies in the 10 Hz to 200 Hz range. It is lower, by a factor of nearly 5, at d.c. and by approximately 1,5 at 1 kHz. Beyond 1 kHz, the RISK decreases rapidly [45]. The values in Table 3 and Table 4 apply to currents measured with the measuring device shown in Figure 12 a), which automatically allows for the reduced sensitivity at higher frequencies. SUPPLY MAINS frequencies of 50 Hz and 60 Hz are in the range of highest RISK.
- f) Although as a general rule requirements in a general standard are less restrictive than the requirements in particular standards, some of the allowable values in Table 3 and Table 4 have been set at such a value that:

- the majority of ME EQUIPMENT types can comply, and
- they can be applied to most ME EQUIPMENT types (existing or future) for which no particular standards exist.

EARTH LEAKAGE CURRENT

The EARTH LEAKAGE CURRENT flowing through the PROTECTIVE EARTH CONDUCTOR is not a HAZARD per se. The PATIENT and OPERATOR are protected by specifying appropriately low values for PATIENT LEAKAGE CURRENT and TOUCH CURRENT in NORMAL CONDITION and in relevant SINGLE FAULT CONDITIONS including interruption of the PROTECTIVE EARTH CONDUCTOR. However, an excessive EARTH LEAKAGE CURRENT could pose a possible problem for the installation's earthing system and any circuit breakers operated by current imbalance detectors.

See also IEC 60364-7-710 [10].

TOUCH CURRENT

The limits are based on the following considerations.

- g) The TOUCH CURRENT of ME EQUIPMENT is subject to the same values regardless of the type(s) of APPLIED PARTS, if any, because even ME EQUIPMENT that does not itself have a TYPE CF APPLIED PART could be used in situations where intracardiac PROCEDURES are performed.
- h) Although TOUCH CURRENT flows from parts other than PATIENT CONNECTIONS, it can reach the PATIENT by chance contact through various paths, including a path via the OPERATOR.
- i) The current density created at the heart by current entering the chest is $50 \mu\text{A}/\text{mm}^2$ per ampere [46]. The current density at the heart for $500 \mu\text{A}$ (maximum allowable value in SINGLE FAULT CONDITION) entering the chest is $0,025 \mu\text{A}/\text{mm}^2$, well below the level of concern.
- j) The probability of the TOUCH CURRENT flowing through the heart and causing ventricular fibrillation or pump failure.

TOUCH CURRENT could conceivably reach an intracardiac site if careless PROCEDURES are used in handling intracardiac conductors or fluid filled catheters. Such devices should always be handled with great care and always with dry rubber gloves. The following RISK ANALYSIS is based on pessimistic assumptions about the degree of care exercised.

The probability of a direct contact between an intracardiac device and an ME EQUIPMENT ENCLOSURE is considered to be very low, perhaps 1 in 100 medical procedures. The probability of an indirect contact via the medical staff is considered to be somewhat higher, say 1 in 10 medical procedures. The maximum allowable LEAKAGE CURRENT in NORMAL CONDITION is $100 \mu\text{A}$, which itself has a probability of inducing ventricular fibrillation of 0,05. If the probability of indirect contact is 0,1 then the overall probability is 0,005. Although this probability would appear undesirably high, it should be recalled that with correct handling of the intracardiac device this probability can be reduced to that for mechanical stimulation alone, 0,001.

The probability of the TOUCH CURRENT rising to the maximum allowable level of $500 \mu\text{A}$ (SINGLE FAULT CONDITION) is considered to be 0,1 in departments with poor maintenance PROCEDURES. The probability of this current causing ventricular fibrillation is taken as 1.

The probability of accidental contact directly with the enclosure is, as above, considered as 0,01, giving an overall probability of 0,001, equal to the mechanical stimulation alone probability.

The probability of TOUCH CURRENT at the maximum allowable level of 500 μA (SINGLE FAULT CONDITION) being conducted to an intracardiac device via the medical staff is 0,01 (0,1 for the SINGLE FAULT CONDITION, 0,1 for accidental contact). Since the probability of this current causing ventricular fibrillation is 1, the overall probability is also 0,01. Again this probability is high; however it can be brought down to the mechanical stimulation alone probability of 0,001 by adequate medical procedures.

k) The probability of the TOUCH CURRENT being perceptible to the PATIENT.

The probability of 500 μA being perceptible is 0,01 for men and 0,014 for women when using grip electrodes with intact skin [45] [48]. There is a higher perceptibility for current passing through mucous membranes or skin punctures [48]. Since distribution is normal, there will be a probability that some PATIENTS will perceive very small currents. One person is reported to have sensed 4 μA passing through a mucous membrane [48].

PATIENT LEAKAGE CURRENT

The allowable value of PATIENT LEAKAGE CURRENT for ME EQUIPMENT with TYPE CF APPLIED PARTS in NORMAL CONDITION is 10 μA , which has a probability of 0,002 for causing ventricular fibrillation or pump failure when applied through small areas to an intracardiac site.

Even with zero current, it has been observed that mechanical irritation can produce ventricular fibrillation [50]. A limit of 10 μA is readily achievable and does not significantly increase the RISK of ventricular fibrillation during intracardiac procedures.

The 50 μA maximum allowed in SINGLE FAULT CONDITION for ME EQUIPMENT with TYPE CF APPLIED PARTS is based on a value of current that has been found, under clinical conditions, to have a very low probability of causing ventricular fibrillation or interference with the pumping action of the heart.

For catheters 1,25 mm - 2 mm diameter likely to contact the myocardium, the probability of 50 μA causing ventricular fibrillation is near 0,01 (see Figure A.14 and its explanation). Small cross-section area (0,22 mm^2 and 0,93 mm^2) catheters used in angiography have higher probabilities of causing ventricular fibrillation or pump failure if placed directly on sensitive areas of the heart.

The overall probability of ventricular fibrillation being caused by PATIENT LEAKAGE CURRENT in SINGLE FAULT CONDITION is 0,001 (0,1 for probability of SINGLE FAULT CONDITION, 0,01 probability of 50 μA causing ventricular fibrillation) equal to the probability for mechanical stimulation alone.

The 50 μA current allowed in SINGLE FAULT CONDITION is not likely to result in a current density sufficient to stimulate neuromuscular tissues nor, if d.c., cause necrosis.

For ME EQUIPMENT with TYPE B APPLIED PARTS and TYPE BF APPLIED PARTS where the maximum allowable PATIENT LEAKAGE CURRENT under SINGLE FAULT CONDITION is 500 μA , the same rationale applies as that for TOUCH CURRENT since this current will not flow directly to the heart.

As the existence of an earth connection to a PATIENT is a NORMAL CONDITION, not only PATIENT AUXILIARY CURRENT but also PATIENT LEAKAGE CURRENT can flow for a prolonged period. A very low value of direct current is therefore necessary to avoid tissue necrosis, regardless of the classification of the APPLIED PART.

The appearance of MAINS VOLTAGE, from a low-impedance source, on the PATIENT CONNECTIONS of an F-TYPE APPLIED PART would have to be caused by a double failure of protective means in other ME EQUIPMENT, simultaneously connected to the PATIENT and complying with this standard or another IEC standard, or by a single failure of protective means in equipment not complying with a standard. As such this condition is extremely unlikely in good medical practice.

However the appearance of a lesser voltage, or of a LEAKAGE CURRENT from a source having an open-circuit voltage of the order of MAINS VOLTAGE, is possible.

Since the main safety feature of ME EQUIPMENT with an F-TYPE APPLIED PART is that the PATIENT is not earthed by the connection to the ME EQUIPMENT, the electrical separation of an F-TYPE APPLIED PART from earth is to have a minimum quality. This is assured by the requirement that, even if a hypothetical voltage of supply frequency and equal to the highest supply voltage to earth present in the location where the ME EQUIPMENT is used would appear on the PATIENT CONNECTIONS, the limit for the PATIENT LEAKAGE CURRENT would not be exceeded.

For TYPE CF APPLIED PARTS, the PATIENT LEAKAGE CURRENT will be limited to 50 μA , no worse than the previously discussed SINGLE FAULT CONDITION.

For TYPE BF APPLIED PARTS the maximum PATIENT LEAKAGE CURRENT under these conditions is 5 mA. Even this value entering the chest would produce only a current density at the heart of 0,25 $\mu\text{A}/\text{mm}^2$. This current would be very perceptible to the PATIENT, however the probability of its occurrence is very low. The RISK of harmful physiological effects is small and the MAXIMUM MAINS VOLTAGE used for this test represents a worst case, more severe than is likely to arise in practice.

Total PATIENT LEAKAGE CURRENT

The values of PATIENT LEAKAGE CURRENT in this standard are for a single function of a TYPE B APPLIED PART or TYPE BF APPLIED PART or a single PATIENT CONNECTION of a TYPE CF APPLIED PART. With multiple functions or multiple APPLIED PARTS the total PATIENT LEAKAGE CURRENT could be much higher. This total PATIENT LEAKAGE CURRENT is the vector sum of the individual PATIENT LEAKAGE CURRENTS. Therefore, it is necessary to specify limits for total PATIENT LEAKAGE CURRENT. These requirements are derived from IEC 60601-2-49:2001 [16].

This standard does not fix the number of APPLIED PARTS connected to a single PATIENT. It has been estimated that the number of APPLIED PARTS connected to a single PATIENT ranges from one to five.

Total PATIENT LEAKAGE CURRENT for TYPE CF APPLIED PARTS

For TYPE CF APPLIED PARTS the PATIENT LEAKAGE CURRENT for the NORMAL CONDITION is 10 μA . The following is to be considered for multiple PATIENT functions:

- 1) The current entering the heart is distributed over all of the PATIENT CONNECTIONS and is not applied to the same small sensitive area of the cardiac tissue.

- m) The number of PATIENT CONNECTIONS connected directly to cardiac tissue is not likely to exceed three. Accordingly, the LEAKAGE CURRENT entering a single small area of the heart is less than 50 μA and is in the vicinity of 15 μA to 20 μA for an algebraic summation of the currents. The current would be less for a vector summation. The probability of ventricular fibrillation, according to the rationale for PATIENT LEAKAGE CURRENT, is in the range of 0,003 even if all the PATIENT CONNECTIONS are very close together. This is not much different from the probability of 0,002 that is accepted for a single APPLIED PART connected directly to the heart.
- n) The LEAKAGE CURRENT from APPLIED PARTS on the surface of the body flows in a distributed manner through the body. According to the rationale for PATIENT LEAKAGE CURRENT, 5 mA entering the chest produces a current density at the heart of 0,025 $\mu\text{A}/\text{mm}^2$.

Therefore, 50 μA for NORMAL CONDITION for total PATIENT LEAKAGE CURRENT is considered acceptable.

For SINGLE FAULT CONDITION the LEAKAGE CURRENT for TYPE CF EQUIPMENT has been increased to 0,1 mA. The rationale for PATIENT LEAKAGE CURRENT gives a probability of 0,07 of ventricular fibrillation for current directly entering the heart. The probability of a SINGLE FAULT CONDITION was given as 0,1. This was over a decade ago. Because of improvements in design, more reliable components, better materials, and the use of RISK MANAGEMENT in accordance with ISO 14971 and the consequent use of associated tools, such as HAZARD based RISK ANALYSIS, the probability of a SINGLE FAULT CONDITION should be much less. It is now felt to be in the vicinity of at least 0,02. The probability of ventricular fibrillation is $0,07 \times 0,02$, or 0,0014, close to that accepted for a single TYPE CF APPLIED PART.

Total PATIENT LEAKAGE CURRENT for TYPE BF APPLIED PARTS

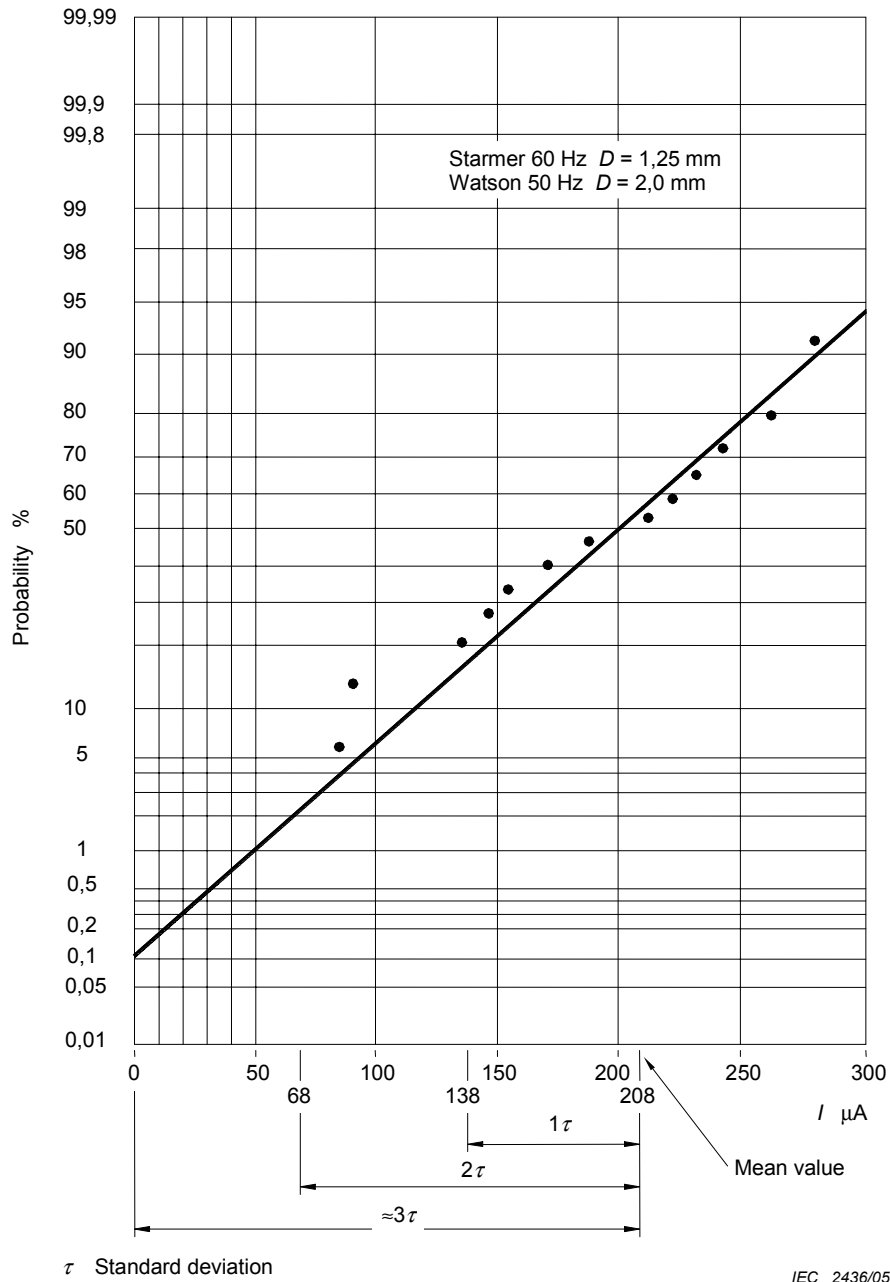
The total PATIENT LEAKAGE CURRENT has been increased to 500 μA for NORMAL CONDITION and to 1 000 μA for SINGLE FAULT CONDITION. As explained in c) above, the current density at the heart for current of 5 000 μA is quite small. There should be no concern for either the NORMAL CONDITION or the SINGLE FAULT CONDITION.

Total PATIENT LEAKAGE CURRENT caused by an external voltage on the PATIENT CONNECTION

For TYPE CF APPLIED PARTS, the limit has been increased to 100 μA . The rationale for PATIENT LEAKAGE CURRENT states that the probability of failure of protective earthing of CLASS I ME EQUIPMENT is 0,1 and that the probability of a fault in one MOP is less than 0,1. This was a decade ago. As explained earlier, these probabilities should be much lower today and are considered to be no worse than 0,02. The probability of MAINS VOLTAGE appearing on the PATIENT is $0,02 \times 0,02$, or 0,0004. This is below the probability of 0,001 accepted in the second edition of IEC 60601-1.

PATIENT AUXILIARY CURRENT

The allowable values for PATIENT AUXILIARY CURRENT are based on similar considerations to those for PATIENT LEAKAGE CURRENT. They apply regardless of whether the PATIENT AUXILIARY CURRENT is necessary for the functioning of the ME EQUIPMENT (e.g. impedance plethysmographs) or incidental to its functioning. Lower values are given for d.c. to prevent tissue necrosis with long-term application.



NOTE Refer to original papers by Starmer [53] and Watson [54] for interpretation of data.

Figure A.14 – Probability of ventricular fibrillation

Explanation of Figure A.14

Articles by Starmer [53] and Watson [54] provide data on ventricular fibrillation caused by 50 Hz and 60 Hz currents applied directly to the hearts of human populations with cardiac disease. Fibrillation probability was obtained as a function of the electrode diameter and the magnitude of the current. For electrodes of 1,25 mm and 2 mm diameter and currents up to 0,3 mA, the distribution appears normal. Accordingly, it has been extrapolated to encompass the values commonly used in assessing PATIENT RISK (values noted on Figure A.14). From this extrapolation, it is seen that:

- any value of current, however small, has some probability of causing ventricular fibrillation, and
- the commonly used values have low probabilities, ranging from approximately 0,002 to 0,01.

Since ventricular fibrillation is governed by many factors (PATIENT condition, probability of current entering a more sensitive area of the myocardium, probability of fibrillation as a function of current or current density, physiology, electric field, etc.), it is reasonable to use statistics in determining the possibility of RISK for the multiple conditions.

Heating effect of LEAKAGE CURRENTS

A current of 10 mA will produce no sensation of heating with a typical PATIENT CONNECTION with a contact area of the order of 1 cm², but a current a few times higher than this would produce a burn. The RISK of a burn depends on the magnitude of the current but not on its frequency, so the current has to be measured with a non-frequency-weighted device, such as a device similar to that shown in Figure 12 a) but without C₁ and R₁.

Subclause 8.7.4.2 – Measuring supply circuits

For correct results of LEAKAGE CURRENT measurements, it is essential to have a common reference point within the measuring circuit. The point also has to be electrically referenced to all parts of the circuit. Also the measured LEAKAGE CURRENT could be different according to the particular supply configuration. For example, if ME EQUIPMENT that is specified for connection to a supply having one side at earth potential is connected instead to a supply having two symmetrical phases (such as a 230 V supply in the USA) the measured LEAKAGE CURRENT will be much lower than the worst case. If the installed SUPPLY MAINS of the room where the measurements are made does not represent the worst case, a specific supply circuit has to be established. This can be done by using an isolating transformer with the appropriate point in the SECONDARY CIRCUIT connected to the reference point. Accurate and reproducible results when making LEAKAGE CURRENT measurements can also be obtained without an isolating transformer. However this would depend on the quality of the SUPPLY MAINS used for the measurements. Factors that need to be considered would include transients, interference signals and voltage differences between neutral and earth in the measuring circuit.

The earth symbols in the figures represent this common reference point, which is not connected to the protective earth of the SUPPLY MAINS. Such a separate reference point can provide additional protection for the person carrying out the measurements.

A variable-voltage transformer is necessary to provide 110 % of the RATED supply voltage to the ME EQUIPMENT. Although it would be possible to test with the MAINS VOLTAGE normally present in the test room and to multiply the measured LEAKAGE CURRENT values by the appropriate factor, this would not always produce the same result as testing with 110 % of the RATED supply voltage, particularly with ME EQUIPMENT that includes a switched-mode power supply.

The switches S₁ or S₁ + S₂ or S₁ + S₂ + S₃ in Figure F.1 to Figure F.4 (inclusive) can be omitted and the interruptions of the relevant leads can be obtained by other means.

Instead of the single or polyphase isolating transformers with adjustable output voltage(s), as shown in Figure F.1 to Figure F.5 (inclusive), a combination of an isolating transformer with set output voltage and an auto-transformer with adjustable output voltage can be used.

Subclause 8.7.4.3 – Connection to the measuring supply circuit

Although it is not unlikely that ME EQUIPMENT is used while placed on or in an earthed metal environment, such a position would be rather difficult to describe in a way that test results would become reproducible. The advice in the note in 8.7.4.3 d) 1) is therefore to be considered as a convention.

The fact that PATIENT cables can have a significant capacitance to earth is usually important and of considerable influence on test results. A position providing reproducible results is therefore prescribed.

The isolation transformer in the measuring supply circuit provides additional protection for the person making the measurements and increases the accuracy of the LEAKAGE CURRENT measurements. However, it is not absolutely necessary to use an isolating transformer when making LEAKAGE CURRENT measurements. In some cases, such as high input power ME EQUIPMENT and ME SYSTEMS, use of an insulating transformer is not feasible. When making LEAKAGE CURRENT measurement without an isolating transformer, the MANUFACTURER needs to consider the following:

- is it possible to extrapolate the LEAKAGE CURRENTS at 110 % of the RATED supply voltage;
- the influence of currents that are driven by voltage differences between the protective earth and the mains supply neutral of ME EQUIPMENT or for ME SYSTEMS with multiple PROTECTIVE EARTH CONNECTIONS.

Measuring without an isolation transformer can produce LEAKAGE CURRENT readings that are greater than the LEAKAGE CURRENT measurement with an isolating transformer.

Subclause 8.7.4.5 – Measurement of EARTH LEAKAGE CURRENT

The measuring device represents a measuring method that takes into account the physiological effect of a current through the human body, including the heart, as well as the possibility of a low impedance contact between a PATIENT CONNECTION and the PATIENT. Although IEC 60990 [20] specifies some measuring devices for general use, none of these would be appropriate for measuring PATIENT LEAKAGE CURRENT. As the measuring device of the second edition is being retained for that purpose, it is most convenient to use the same device for all LEAKAGE CURRENT measurements, apart from the measurement of currents or current components with frequencies exceeding 1 kHz in relation to the 10 mA limit specified in 8.7.3 d).

Subclause 8.7.4.6 – Measurement of the TOUCH CURRENT

Where metal foil is to be applied to an ENCLOSURE made of insulating material, intimate contact can be achieved by pressing the foil against the insulating material with a pressure of approximately 5 kPa (0,5 N/cm²).

Subclause 8.7.4.7 – Measurement of PATIENT LEAKAGE CURRENT**Subclause 8.7.4.7 b)**

This test confirms that the separation between the PATIENT CONNECTIONS and other parts is adequate to limit the PATIENT LEAKAGE CURRENT to the allowed value when an external voltage is present.

If the APPLIED PART can be disconnected from the ME EQUIPMENT, it is possible that the contacts of its connector could touch an earthed object, but that situation is covered by the tests of 8.5.2.3, not by 8.7.4.7 b), which applies to the ME EQUIPMENT and the APPLIED PART together.

The 20 cm × 10 cm metal foil represents the size of a human hand. For some ME EQUIPMENT, the area of contact is greater than the size of the hand. In this case, the size of the foil can be increased.

Subclause 8.7.4.7 c)

Some of the tests specified in the second edition of this standard related to the possible presence of MAINS VOLTAGE on a SIGNAL INPUT PART or a SIGNAL OUTPUT PART (as defined in that edition, now covered by the combined term SIGNAL INPUT/OUTPUT PART). There were various exclusions, but if none of the exclusions applied this condition was regarded as a SINGLE FAULT CONDITION. The assumption made in this third edition is that, if the ACCOMPANYING DOCUMENTS place no restrictions on what other equipment is allowed to be connected to the SIGNAL INPUT/OUTPUT PART, the presence of the MAXIMUM MAINS VOLTAGE should be regarded as a NORMAL CONDITION.

Instead of an isolating transformer T_2 with an adjustable output voltage, a combination of an isolating transformer with a set output voltage and an auto-transformer with an adjustable output voltage can be used.

Subclause 8.7.4.7 d)

The test with an external voltage applied to unearthed metal ACCESSIBLE PARTS reflects the requirement in 8.5.2.2 for isolation between such parts and unearthed PATIENT CONNECTIONS of TYPE B APPLIED PARTS.

For TYPE BF APPLIED PARTS this test applies as well as the test of 8.7.4.7 b), even though both test the isolation between the PATIENT CONNECTIONS and other parts, because the PATIENT LEAKAGE CURRENT might not be the same in these two situations and different limit values apply.

Instead of an isolating transformer T_2 with an adjustable output voltage, a combination of an isolating transformer with a set output voltage and an auto-transformer with an adjustable output voltage can be used.

Care should be taken that the capacitance of the measuring device and its connecting leads to earth and to the body of the ME EQUIPMENT is kept as low as possible.

As explained in the rationale to 8.7.3, the presence of the MAXIMUM MAINS VOLTAGE on a PATIENT represents a worst case, this is more severe than is likely to arise in practice, and the allowable PATIENT LEAKAGE CURRENT for a TYPE BF APPLIED PART in this situation is 5 mA. It was pointed out that the application of MAINS VOLTAGE to an unearthed ACCESSIBLE PART could therefore cause a PATIENT LEAKAGE CURRENT of up to 5 mA to flow from the PATIENT CONNECTIONS of a TYPE BF APPLIED PART; whereas in the same situation a TYPE B APPLIED PART (which in general offers a lower level of safety) was allowed only 500 μ A. In order to resolve this anomaly, the test of 8.7.4.7 d), with 110 % of the MAXIMUM MAINS VOLTAGE on unearthed ACCESSIBLE PARTS, also applies to TYPE BF APPLIED PARTS, and in this condition the allowable PATIENT LEAKAGE CURRENT is the general 500 μ A value for SINGLE FAULT CONDITION.

There is no need to perform the test of 8.7.4.7 d) on TYPE CF APPLIED PARTS because for these the same allowable value of 50 μ A would apply as in the test of 8.7.4.7 b).

Subclause 8.7.4.7 h)

The requirement represents a compromise between requiring extensive testing, which with most ME EQUIPMENT would yield no useful information, and having no specific requirement to address this RISK.

Most TYPE B APPLIED PARTS are earthed, so the measurement according to 8.7.4.7 g) (all PATIENT CONNECTIONS of a single function connected directly together) will give the same result as the measurement according to 8.7.4.7 h) (all PATIENT CONNECTIONS of all APPLIED PARTS of the same type connected together). If this is within the PATIENT LEAKAGE CURRENT limit it will certainly be within the total PATIENT LEAKAGE CURRENT limit. However it is possible to have TYPE B APPLIED PARTS that are not directly earthed, and in that case the measured values can be different.

Subclause 8.7.4.9 – ME EQUIPMENT with multiple PATIENT CONNECTIONS

This requirement was introduced in the second amendment to the second edition of this standard. It addresses a RISK that can arise, for example, with equipment for measuring physiological signals where an amplifier drives one electrode to reduce common-mode interference. If one of the sensing electrodes is disconnected from the PATIENT and picks up a large voltage at mains frequency, the amplifier could drive a large current into the PATIENT in a vain attempt to cancel the interference.

The requirement represents a compromise between requiring extensive testing, which with most ME EQUIPMENT would yield no useful information, and having no specific requirement to address this RISK.

Subsequently IEC 60601-2-49:2001 [16] introduced a comprehensive set of tests, to be performed on all equipment within the scope of that standard. These include measurement of what is termed “PART LEAKAGE CURRENT” in that standard: this is the current flowing between the PATIENT CONNECTIONS of one function and the PATIENT CONNECTIONS of other function(s), which is covered in this edition of the general standard by the revised definition of PATIENT AUXILIARY CURRENT.

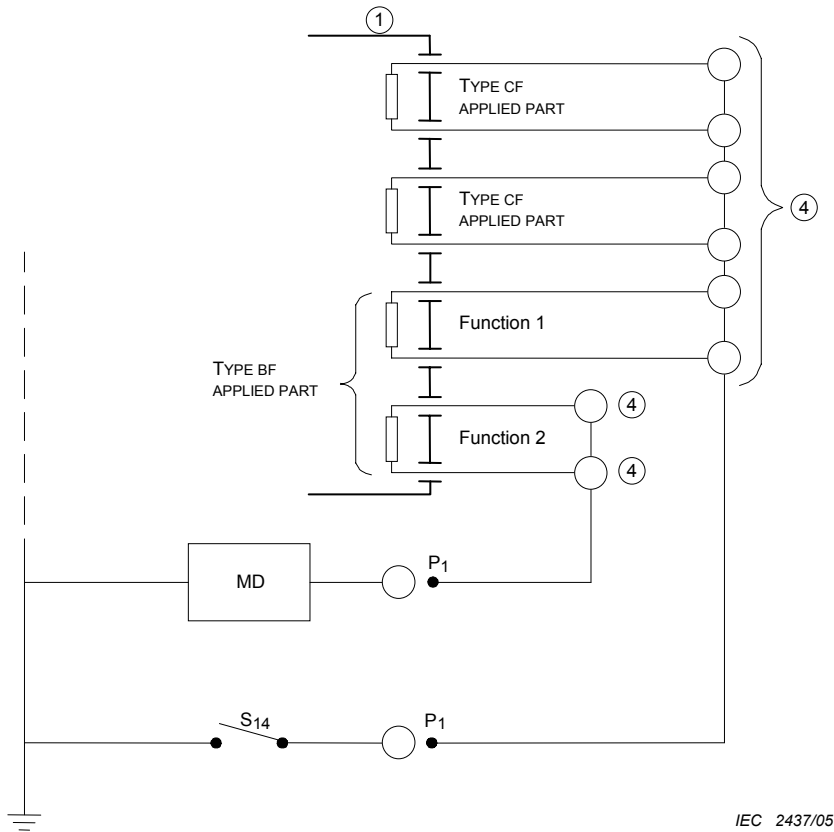
Consideration was given to incorporating these tests in this general standard, but it was decided that such specific testing should be left to particular standards. The scenarios to which they relate, such as having the PATIENT CONNECTIONS of one function in use and connected to the PATIENT while the PATIENT CONNECTIONS of another function are not in use and could make contact with earth or other objects, are likely to arise with multifunction PATIENT monitoring equipment but unlikely with most other kinds of ME EQUIPMENT.

Figure A.15, based on Figure KK.101 of IEC 60601-2-49:2001 [16], shows an example of measuring the PATIENT LEAKAGE CURRENT from one function of a TYPE BF APPLIED PART while the PATIENT CONNECTIONS of another function of the same APPLIED PART and of two TYPE CF APPLIED PARTS are either floating or earthed.

Subclause 8.8.1 – General

Care should be taken that the voltage applied to a REINFORCED INSULATION does not overstress either of the MEANS OF PROTECTION in the ME EQUIPMENT. If there are multiple paths between the same points, these might need to be tested separately. There could, for example, be one path from the MAINS PART to a PATIENT CONNECTION that has BASIC INSULATION plus a PROTECTIVE EARTH CONNECTION plus PATIENT CONNECTIONS isolation as required by 8.5.2.1, and a parallel path having REINFORCED INSULATION. ME EQUIPMENT parts might need to be disconnected to allow the REINFORCED INSULATION to be tested without overstressing the separate insulation of the MAINS PART or the PATIENT CONNECTIONS.

This could be avoided, for example in the case of a transformer, by the use of a voltage divider with a tapping point connected to the core or some other suitable connecting point to ensure the correct voltage division over the actual insulations, or by the use of two test transformers, correctly phased.



IEC 2437/05

For legends, see Table 5.

Key

All measurements are made with S_{14} closed and again with S_{14} open.

Figure A.15 – Example of a measuring circuit for the PATIENT LEAKAGE CURRENT from a PATIENT CONNECTION to earth for ME EQUIPMENT with multiple PATIENT CONNECTIONS

Subclause 8.8.2 – Distance through solid insulation or use of thin sheet material

The second edition of this standard placed no restrictions on the thickness of solid insulation, except as specified in 57.9.4 e) for transformers and for the need for all insulation covered by Clause 20 to be thick enough to pass the dielectric strength test. A very thin film of insulating material might pass that test but might not provide reliable insulation during the EXPECTED SERVICE LIFE of all production items.

Some National Committee comments during the development of this edition proposed introducing relevant requirements derived from IEC 60950-1 to address this omission. Both WG 14 (Testing) and WG 16 (Electrical hazards) recommended accepting these proposals.

These requirements have been included in IEC 60950-1 for many years without causing problems. They should not be onerous in practice for ME EQUIPMENT, and indeed most ME EQUIPMENT designed according to the previous editions of this standard would have satisfied them.

The requirements that have been introduced are intended to be technically equivalent to those of IEC 60950-1, but the editorial structure has been changed for clarity, as follows.

- IEC 60950-1 specifies a general requirement for distance through insulation, with an exception for voltages up to 71 V. This has been changed to state explicitly that the requirement applies above 71 V.
- IEC 60950-1 specifies an exception from the requirement for distance through insulation where the requirements for thin sheet material apply, as set out in another subclause, but that subclause does not refer explicitly to the 71 V limit. This has been made explicit by stating the requirements for thin sheet material as an alternative to the thickness requirement, under the same introductory wording.
- IEC 60950-1 specifies that “Insulation in thin sheet materials is permitted . . . provided that” certain conditions are satisfied. This has been changed to an explicit requirement that insulation in thin sheet materials needs to satisfy these conditions.
- IEC 60950-1 requires that insulation in thin sheet materials “is used within the equipment ENCLOSURE”. However the ENCLOSURE as defined in this standard includes all outer surfaces, including the surfaces of cables, APPLIED PARTS, etc. The requirement has therefore been rephrased.

Elsewhere in this standard the terms SUPPLEMENTARY INSULATION and REINFORCED INSULATION have mostly been replaced by references to MEANS OF PROTECTION, but they have been retained here because, as in IEC 60950-1, the requirements concerning distance through insulation and the use of thin sheet material apply to SUPPLEMENTARY INSULATION and to REINFORCED INSULATION, but not to BASIC INSULATION. Thus these requirements do not apply where BASIC INSULATION, as one MEANS OF PROTECTION, is used in conjunction with a PROTECTIVE EARTH CONNECTION as the other MEANS OF PROTECTION. Where DOUBLE INSULATION is used, these requirements apply to whichever constituent part thereof is regarded as the SUPPLEMENTARY INSULATION.

Subclause 8.8.3 – Dielectric strength

Components designed to limit the voltage might need to be removed in order to allow the full test voltage to be applied to the insulation being tested.

The purpose of this test is to check all solid insulation under the worst-case condition after having achieved operating temperature. For heating elements, the worst case is achieved with heaters remaining energized during measurement.

The test voltages specified are appropriate for solid insulation only. Spacings (CREEPAGE DISTANCES and CLEARANCES) are evaluated by 8.9. IEC 60664-1 gives details of electrical test methods for clearances using impulse voltage dielectric strength tests. These tests can be used under the IEC 60950-1 route for MOOPs, but are not specified for MOPPs. IEC 60664-1 states that the $2U + 1\,000$ V type of dielectric strength test “is not relevant for the testing of clearances”.

Since the dielectric strength test is applied immediately after the humidity preconditioning treatment, with the ME EQUIPMENT still in the humidity cabinet, adequate precautions for the protection of laboratory personnel could be necessary.

In Table 6, the values for OPERATOR protection are taken from IEC 60950-1 and the values for PATIENT protection are taken from the second edition of IEC 60601-1. In constructing the table, three principles were employed:

- MOPP are always at a higher value than MOOP.
- Mains circuits are effected by transient overvoltages as detailed in Table 10. In SECONDARY CIRCUITS, the transient overvoltage level is at least one level less than the mains circuits.
- The value of test voltage is primarily determined by the transient voltage on the SUPPLY MAINS which is usually orders of magnitude larger than the WORKING VOLTAGE.

In order to align with the second edition of IEC 60601-1 for the common WORKING VOLTAGE of 220 V r.m.s to 240 V r.m.s. the test voltage of 4 000 V r.m.s. was retained even though this value is more than twice the test voltage for one MOPP. However, each individual MOPP has to meet the 1 500 V r.m.s. minimum requirement.

Subclause 8.8.3 a)

The test voltage can be provided by a transformer, by a d.c. power source or by using the transformer(s) of the ME EQUIPMENT. In the last case, to prevent overheating, the test voltage can have a frequency that is higher than the RATED frequency of the ME EQUIPMENT.

The PROCEDURE and duration of the test for WORKING VOLTAGE equal to or higher than 1 000 V a.c. or 1 500 V d.c. or peak values can be specified further by particular standards.

Subclause 8.8.4.1 – Mechanical strength and resistance to heat

Tests concerning flammability of materials will be found in IEC 60695-11-10.

Subclause 8.9 – CREEPAGE DISTANCES and AIR CLEARANCES

For ME EQUIPMENT intended to be supplied from the SUPPLY MAINS, AIR CLEARANCE and dielectric strength requirements are based on the expected overvoltage transients that could enter the equipment from the SUPPLY MAINS. According to IEC 60664-1, the magnitude of these transients is determined by the normal supply voltage and the supply arrangements. These transients are categorized according to IEC 60664-1 into four groups called overvoltage categories I to IV (also known as installation categories I to IV). Elsewhere in this standard overvoltage category II is assumed.

The design of solid insulation and AIR CLEARANCES should be co-ordinated in such a way that, if an incident overvoltage transient exceeds the limits of overvoltage category II, the solid insulation can withstand a higher voltage than the AIR CLEARANCES.

The values in Table 13 to Table 15 correspond to those of IEC 60950-1 for overvoltage category II for MAINS PARTS and overvoltage category I for SECONDARY CIRCUITS. If ME EQUIPMENT is intended to be used in locations where the SUPPLY MAINS is in overvoltage category III or IV, these values will be inadequate.

A SECONDARY CIRCUIT derived from a SUPPLY MAINS will normally be overvoltage category I if the SUPPLY MAINS is overvoltage category II; the maximum transients for various SUPPLY MAINS voltages in overvoltage category I are shown in the column headings of Table 13.

For insulation between the ENCLOSURE and the PATIENT CONNECTION of an F-TYPE APPLIED PART special rules apply:

- 1) In the case of an F-TYPE APPLIED PART containing no voltage difference, the insulation between the PATIENT CONNECTIONS and the ENCLOSURE will only be stressed to the MAINS VOLTAGE in the case of a fault in other equipment connected to the PATIENT.

This condition rarely occurs; furthermore this insulation is not normally subject to the transient overvoltages found in the MAINS PART. In view of the above, the insulation necessary between the APPLIED PART and the ENCLOSURE for the case quoted, need only satisfy the requirements for BASIC INSULATION.

- 2) In the case of an F-TYPE APPLIED PART containing parts with voltage difference, the connection of a PATIENT CONNECTION to earth via an earthed PATIENT (NORMAL CONDITION) could subject the insulation between other parts and the ENCLOSURE to the whole of the voltage within the APPLIED PART.

Since this voltage appears in NORMAL CONDITION, even though infrequently, the relevant insulation should satisfy the requirements for DOUBLE INSULATION or REINFORCED INSULATION. In view of the low probability of this condition occurring, the CREEPAGE DISTANCES and AIR CLEARANCES given in Table 11 are considered adequate.

- 3) The value to be applied is the highest of the values found according to Items 1) and 2) above.

In the absence of a theoretical background to refer to, it was decided that the values above 1 000 V would be drawn from Table 7 of IEC 61010-1:2001 [22] for CREEPAGE DISTANCES using the column for material group IIIa-b, pollution degree 3, which correlates with the existing values in the second edition of IEC 60601-1 or is slightly more onerous. For AIR CLEARANCES, the values have been estimated based on the relationship between creepage and clearance for values below 1 000 V r.m.s. from Table 12. These derived values are shown in Table A.1.

Table 16 of the second edition of IEC 60601-1 was split into two tables in this standard (Tables 9 and 10). To align it with tables derived from other standards such as IEC 60950-1, the factor between the a.c. voltages and the d.c. voltages was changed from 1,2 to about 1,4. This relaxation was accepted as it is a common approach in other standards and it prevents having different CREEPAGE DISTANCES or AIR CLEARANCES in circuits where there is a d.c. voltage rectified from an a.c. voltage.

Table A.1 – Values of AIR CLEARANCE and CREEPAGE DISTANCE derived from Table 7 of IEC 61010-1:2001 and Table 12

WORKING VOLTAGE V d.c. up to and including	WORKING VOLTAGE V r.m.s up to and including	Spacing providing one MEANS OF PATIENT PROTECTION		Spacing providing two MEANS OF PATIENT PROTECTION	
		AIR CLEARANCE mm	CREEPAGE DISTANCE mm	AIR CLEARANCE mm	CREEPAGE DISTANCE mm
1 500	1 250	11,5	20	23,0	40
1 920	1 600	14,5	25	29,0	50
2 400	2 000	18,5	32	37,0	64
3 000	2 500	23,0	40	46,0	80
3 840	3 200	29,0	50	58,0	100
4 800	4 000	36,0	63	72,0	126
6 000	5 000	46,0	80	92,0	160
7 560	6 300	57,0	100	114,0	200
9 600	8 000	71,5	125	143,0	250
12 000	10 000	91,5	160	183,0	320

Table A.2 contains CREEPAGE DISTANCES for WORKING VOLTAGE above 1 000 V derived from IEC 60664-1, Table 4.

Subclause 8.9.1 – Values

When using the values of CREEPAGE DISTANCE and AIR CLEARANCE, it should be noted that peak, d.c. and r.m.s. values are all used. It is important to read the tables carefully.

The tables for MOOPS use values from IEC 60950-1 representing the following basic principles, taken from IEC 60664-1:

- “The basis for the determination of a CREEPAGE DISTANCE is the long-term r.m.s. value of the voltage existing across it.”
- “CLEARANCES shall be dimensioned to withstand the required impulse withstand voltage”. Impulse withstand voltage is the “highest peak value of withstand voltage”

However, the tables for MOPPS are taken from the second edition of IEC 60601-1, where both creepages and clearances were related to r.m.s. or d.c. voltages.

Table A.2 – CREEPAGE DISTANCES to avoid failure due to tracking from IEC 60664-1

WORKING VOLTAGE V r.m.s or d.c.	Spacing for one MEANS OF OPERATOR PROTECTION						
	Pollution degree 1	Pollution degree 2			Pollution degree 3		
	Material group	Material group			Material group		
	I, II, IIIa, IIIb	I	II	IIIa or IIIb	I	II	IIIa or IIIb
1 250	Use the AIR CLEARANCE from the appropriate table	6,3	9,0	12,5	16,0	18,0	20,0
1 600		8,0	11,0	16,0	20,0	22,0	25,0
2 000		10,0	14,0	20,0	25,0	28,0	32,0
2 500		12,5	18,0	25,0	32,0	36,0	40,0
3 200		16,0	22,0	32,0	40,0	45,0	50,0
4 000		20,0	28,0	40,0	50,0	56,0	63,0
5 000		25,0	36,0	50,0	63,0	71,0	80,0
6 300		32,0	45,0	63,0	80,0	90,0	100,0
8 000		40,0	56,0	80,0	100,0	110,0	125,0
10 000		50,0	71,0	100,0	125,0	140,0	160,0

Subclause 8.9.1.6 – Interpolation

Interpolation for CREEPAGE DISTANCES but not for AIR CLEARANCES is allowed, except where the WORKING VOLTAGE is above 2 kV r.m.s. or 2,8 kV d.c. This approach is generally consistent with IEC 60950-1 and IEC 61010-1 [22].

Subclause 8.9.1.15 – CREEPAGE DISTANCES and AIR CLEARANCES for DEFIBRILLATION-PROOF APPLIED PARTS

From IEC 60664-1, Table 2, a distance of 4 mm is adequate for pulses of 5 kV having a short duration of less than 10 ms, such voltages arising typically from the use of a defibrillator.

Subclause 8.9.2 – Application**Subclause 8.9.2 a)**

Depending on the INTENDED USE of the ME EQUIPMENT, operation of the fuse or OVER-CURRENT RELEASE can be a HAZARD. The opening of a branch circuit breaker is not acceptable. Subclause 8.9.2 a) is based on the fact that there is an over-current device in the input of the ME EQUIPMENT before the part of the circuit where this subclause is applied. Before this over-current device, the spacings need to comply with the basic requirement for parts of opposite polarity within the MAINS PART.

Subclause 8.9.3 – Spaces filled by insulating compound

CREEPAGE DISTANCES are measured through the joint between two parts of an insulation barrier, except for cemented joints, i.e. those in which:

- either the two parts forming the joint are bonded by heat sealing or other similar means at the place where this is of importance;
- or the joint is completely filled with adhesive at the necessary places and the adhesive bonds to the surfaces of the insulating barrier so that humidity cannot be sucked into the joint.

In the second edition of this standard, the captions to Figures 43 to 45 referred to “uncemented joints.” Item 7 of the legends to these figures referred to 57.9.4 f), second dash, “for a description of cemented joints” but did not specify any test methods other than inspection. During the preparation of this edition, it was proposed to introduce relevant requirements derived from IEC 60950-1 to address the related subject of potting.

The requirements that have been introduced are closely based on those of IEC 60950-1 and cover potting, encapsulation, cemented joints, etc. The editorial structure has been somewhat revised from that of IEC 60950-1 for clarity. These requirements have been included in 8.9 rather than 8.8 because they specify circumstances that allow exemption from the requirements for CREEPAGE DISTANCES and AIR CLEARANCES, rather than additional requirements applying to solid insulation.

Subclause 8.9.4 – Measurement of CREEPAGE DISTANCES AND AIR CLEARANCES

Narrow gaps, running in the direction of a possible creepage path and being some tenths of 1 mm wide only, should be avoided as far as possible, for dirt and moisture can deposit there.

Subclauses 8.10.1 – Fixing of components

In many cases it will be obvious that components and wiring are adequately secured (e.g. small components soldered to a printed circuit board) without the need for specific justification in the RISK MANAGEMENT FILE; but if any relevant information is included in the RISK MANAGEMENT FILE, it should be taken into account in assessing compliance with these requirements.

Subclause 8.10.2 – Fixing of wiring

It is generally accepted that wiring connections are subject to the SINGLE FAULT CONDITION. That is those having only one means of being secured that would prevent a loosened/broken wire from creating a HAZARD, such as removing a PROTECTIVE EARTH CONNECTION or bridging a MEANS OF PROTECTION, are considered not in compliance.

Examples of connection that could comply with SINGLE FAULT CONDITION are:

- double crimping of both the wire and the wire insulation;
- mechanical security of the wire and soldering;

- mechanical security of the wire and wire movement restraints such as tie wraps, wire clamps, bundling straps, etc.;
- strain relief mechanisms and mechanical security.

Subclause 8.10.4 – Cord-connected HAND-HELD parts and cord-connected foot-operated control devices

HAND-HELD switches and footswitches are in practice exposed to severe conditions. This requirement ensures that even in the worst case, where the ENCLOSURE of such a switch is completely broken, only parts at voltages within the limits specified in 8.4.2 c), which are safe to touch, can become exposed.

Subclause 8.10.5 – Mechanical protection of wiring

There is no requirement for specific justification to be given in the RISK MANAGEMENT FILE, but if any relevant information is included in the RISK MANAGEMENT FILE it should be taken into account in assessing compliance with these requirements.

Subclause 8.10.7 – Insulation of internal wiring

Conductors can be routed in separated jacketed cords of adequate rating. Where conductors of different circuit categories have to be run through common cords, wiring channels, conduits or connecting devices, adequate separation is realized by sufficient rating of the conductor insulation and by arranging for sufficient AIR CLEARANCES and CREEPAGE DISTANCES, complying with the requirements of 8.9, between conductive parts in connecting devices.

Subclause 8.11.1 – Isolation from the SUPPLY MAINS

Subclause 8.11.1 a)

Skilled persons, such as SERVICE PERSONNEL, who need to gain access to internal, possibly hazardous, ME EQUIPMENT parts, need a means by which the ME EQUIPMENT can be isolated from the SUPPLY MAINS.

A mains isolating switch, where provided, could also serve as a functional off switch for routine use or for disabling hazardous output in an emergency. However it does not necessarily serve these purposes, nor does this standard specify any general requirement for an emergency off switch.

Subclause 8.11.1 c)

In the second edition of this standard, the requirement for minimum contact spacing of switches used to provide isolation from the SUPPLY MAINS was specified in IEC Publication 328. IEC 61058-1 superseded IEC 328 in 1990. The first edition of IEC 61058-1 required 3 mm contact spacing for full disconnection from the SUPPLY MAINS. No mention of overvoltage category was made. The third edition of IEC 61058-1 introduced the concept of overvoltage category according to IEC 60664-1. For a 230 V SUPPLY MAINS in overvoltage category II, Table 22 of IEC 61058-1 allows a minimum contact spacing of 1,5 mm. While the requirements in this standard generally relate to overvoltage category II (see 8.9.1.11), it was thought prudent to stay with the 3 mm requirement associated with a 230 V SUPPLY MAINS IN overvoltage category III for all switches intended to provide isolation from the SUPPLY MAINS. Not only is this consistent with the requirement of the second edition of IEC 60601-1 but it is also harmonious with the requirements of IEC 60065 and IEC 60950-1, which both require a minimum contact separation of 3 mm for switches intended to provide isolation from the SUPPLY MAINS.

Subclause 8.11.1 h)

Such a protective device whether or not it caused the operation of an over-current protection device built into the ME EQUIPMENT, would be likely also to cause a fuse or circuit breaker in the installation to operate, thus removing the supply of power to other ME EQUIPMENT, possibly including life-support ME EQUIPMENT. Such a device might also cause undesirable thermal effects inside the ME EQUIPMENT and might anyway not be a reliable method of protecting against the relevant HAZARDS.

Subclause 8.11.1 i)

Parts that cannot be disconnected from the supply might include, for example, a circuit for room lighting or a circuit for remote control of the mains switch. Such parts could become accessible when a cover is opened, for example for the purpose of maintenance.

A spatially separated arrangement is one where parts that need to be accessible for servicing are located such that the SERVICE PERSONNEL are unlikely to come in contact with parts energized at voltages exceeding those specified in this standard while performing the required service. In this case, a warning is deemed to provide adequate safety for the SERVICE PERSONNEL.

Subclause 8.11.2 – MULTIPLE SOCKET-OUTLETS

This requirement reduces the probability that other equipment is connected that might lead to excessive LEAKAGE CURRENT.

Subclause 8.11.3.4 – APPLIANCE COUPLERS

A POWER SUPPLY CORD connected to a MAINS CONNECTOR is subject to similar stresses to a non-DETACHABLE POWER SUPPLY CORD. If it is not adequately protected from excessive bending, a HAZARD could result.

Subclause 8.11.3.5 – Cord anchorage

If a power cord were not adequately protected against strain and abrasion, there would be a high probability of damage to insulation providing MEANS OF PROTECTION and, with CLASS I ME EQUIPMENT, a high probability of breakage or disconnection of the PROTECTIVE EARTH CONDUCTOR.

Subclause 8.11.3.6 – Cord guards

If a power cord were not adequately protected against excessive bending, there would be a high probability of breakage of power-carrying conductors, giving a RISK of fire, and with CLASS I ME EQUIPMENT, a high probability of breakage of the PROTECTIVE EARTH CONDUCTOR.

The bending test described is identical to that specified in 3.29 of IEC 60950-1:2001. The second edition of IEC 60601-1 included the wording “Guards which fail the above dimensional test shall have to pass the test described in IEC 60335-1, Amendment 6. 1988, subclause 25.10.” This alternative has been retained, but the reference is now to a later edition of IEC 60335-1. Also the requirement to perform one test in all cases, and then to perform the other test if the ME EQUIPMENT fails the first test, has been changed to allow either test to be performed first, because this makes no difference to whether the ME EQUIPMENT complies.

Subclause 8.11.4.1 – General requirements for MAINS TERMINAL DEVICES

Mains terminals should ensure connections of sufficiently low resistance to avoid overheating and should minimise the RISK of disconnection. Reliable connection can be made by means of screws, nuts, soldering, clamping, crimping of conductors or equally effective methods.

Use of terminals of components other than terminal blocks as terminals intended for external conductors is allowed in special cases where the terminal arrangement is adequate (accessible and clearly marked) and complying with this standard. The wiring terminals of certain types of components are often rated for field wiring purposes. These include fuse holders, EMC filters, circuit breakers, contactors, wiring strips, motor controllers and phase detectors. Each of these can be one of the first connected components thereby putting them in a good position to accept the first wiring connections.

Subclause 8.11.4.2 – Arrangement of MAINS TERMINAL DEVICES**Subclause 8.11.4.2 a)**

One naturally expects to see all the terminals for connection of external cords or POWER SUPPLY CORDS grouped together. The possibility of an incorrect connection can increase if the terminals are not grouped together.

Subclause 8.11.4.4 – Connections to mains terminals

The term “special preparation of the conductor” covers soldering of the strands, use of cord lugs, attachment of eyelets, etc., by SERVICE PERSONNEL (i.e. in the field), but not the reshaping of the conductor before its introduction into the terminal or the twisting of a stranded conductor to consolidate the end. When preparation of the conductor is performed by the MANUFACTURER and the flexible cord is provided as the only acceptable replacement part, such part is considered to comply with this requirement.

Subclause 8.11.5 – Mains fuses and OVER-CURRENT RELEASES

Provision of fuses or OVER-CURRENT RELEASES in ME EQUIPMENT reduces the RISK that a fault in the ME EQUIPMENT will cause a protective device in the installation to operate, thus removing the supply of power to other ME EQUIPMENT, possibly including life-support ME EQUIPMENT.

It is obvious that fusing in a PROTECTIVE EARTH CONNECTION would be inappropriate.

Fusing of the neutral conductor of PERMANENTLY INSTALLED ME EQUIPMENT would serve no purpose and, with 3-phase equipment, might lead to overstressing of insulation in the event that such a fuse were to operate while the line connections remained intact. However an OVER-CURRENT RELEASE that interrupts all poles, including the neutral, simultaneously is acceptable.

The exemption for the case where DOUBLE INSULATION or REINFORCED INSULATION is present between all parts of opposite polarity within the MAINS PART was supported by the National Committees' responses to an inquiry during the preparation of this edition. It could apply where provision of a fuse or OVER-CURRENT RELEASE would be inconvenient, for example in a small plug-in power supply.

Clause 9 – Protection against MECHANICAL HAZARDS of ME EQUIPMENT and ME SYSTEMS

Requirements in Clause 9 describe HAZARDS of a mechanical nature caused by ME EQUIPMENT (HARM caused by moving parts, by rough surfaces, by sharp edges and corners, by instability, by expelled parts, by vibration and noise and by breakdown of PATIENT supports and of suspension means for ME EQUIPMENT parts). Requirements describing HAZARDS caused by damage or deterioration of ME EQUIPMENT (mechanical strength) have been collected into 15.3.

ME EQUIPMENT can become unsafe because of parts damaged or deteriorated by mechanical stresses such as blows, pressures, shocks, vibration, by ingress of solid particles, dust, fluids and moisture and aggressive gases, by thermal and dynamic stresses, by corrosion, by loosening of fastenings of a moving part or a suspended mass, and by radiation.

Effects of mechanical overloads, material failure or wear can be avoided by:

- means that interrupt or render non-hazardous the operation or the energy supply (for example, fuses, pressure-relief valves) as soon as overloading occurs; or
- means that guard against or catch flying or falling parts (caused by material failures, wear or overload) that could constitute a HAZARD.

Protection against breakdown of PATIENT supports and suspensions can be provided by redundancy or the provision of safety catches.

ME EQUIPMENT parts that are intended to be held in the hand or positioned on a bed need to be sufficiently robust to withstand a fall. They can be subject to vibration and shocks, not only when transported but also when used in vehicles.

Subclause 9.2 – HAZARDS associated with moving parts

OPERATORS, PATIENTS and other people need to be protected from MECHANICAL HAZARDS. This can be achieved in a number of ways, for example:

- by providing sufficient distance between people and HAZARDS;
- by restricting access to areas that present HAZARDS;
- by providing a barrier, whether mechanical or non-mechanical, between people and HAZARDS;
- by reducing the RISK associated with HAZARDS;
- by ensuring adequate OPERATOR control over the movements causing a HAZARD; or
- by providing back-up systems so that an acceptable RESIDUAL RISK is achieved when the initial control system fails.

When reference is made, in this subclause, to the RISK to persons, rather than to the PATIENT or OPERATOR, it should be noted, that there can be other people, in addition to the PATIENT or OPERATOR in the vicinity of ME EQUIPMENT. Depending upon the ME EQUIPMENT, visitors, family members and other non-qualified personnel could be in the vicinity.

Subclause 9.2.1 – General

Requirements concerning moving parts have been based on those in other standards applying to non-medical equipment and machinery, but have been modified to take account of the necessity for ME EQUIPMENT to be in contact with or very close to the PATIENT.

Due to the diversity of situations, it is not possible in this standard to dictate where the warnings to address RESIDUAL RISK should be placed. Depending on the application, and the level of RESIDUAL RISK, it could be important to place a warning on the product. It might, however, be acceptable to place the warning only in the ACCOMPANYING DOCUMENTS.

Subclause 9.2.2.4 – GUARDS and protective measures

The degree of protection required for ENCLOSURES or GUARDS protecting moving parts depends upon the general design and INTENDED USE of the ME EQUIPMENT. Factors to be taken into consideration in judging the acceptability of exposed moving parts include the degree of exposure, the shape of the moving parts, the probability of occurrence of accidental contact, the speed of movement and the probability of occurrence that fingers, arms or clothing will be drawn into moving parts (for example where gears mesh, where belts travel on to a pulley or where moving parts close in a pinching or shearing action).

These factors can be considered with respect to both NORMAL USE and the setting of any adjustments, or the replacement of any ACCESSORY or attachment, possibly including the installation, because GUARDS can be provided at installation and might not be part of a single item of STATIONARY equipment.

Features of GUARDS that can be considered include:

- removable with the use of TOOLS only;
- removable for servicing and replacement;
- strength and rigidity;
- completeness;
- creation of additional HAZARDS such as pinch points, and the necessity for additional handling because of the increased need for servicing such as for cleaning.

Protective measures addressed by this clause are also intended to include collision detection systems, such as those employing light barriers.

Protective measures can be used in lieu of continuous activation type control. The protective measures need to provide feedback control.

Subclause 9.2.2.5 – Continuous activation

Motion control systems with the OPERATOR in the feedback loop need to employ continuous activation (e.g. momentary contact, dead-man switch). Such factors as speed of motion and visible feedback to the OPERATOR also need to be adequate.

In some circumstances, OPERATOR training and other qualifications are necessary in order to have adequate OPERATOR control. In such cases, it could be desirable to utilize “lock out controls” that require intentional action to allow movement. Examples of such controls include:

- a key switch with an “enable” function;
- a finger print switch with an “enable” function;
- a password card.

In other circumstances, accidental control can be a concern. In this case, controls could employ such construction techniques as:

- control with an “enable” function, before any motions are possible;
- controls with recessed actuators; this could prevent movement if a hand or leg hits actuator unintentionally.

If the OPERATOR could have access to hazardous moving parts, controls could be designed which would prevent access to the TRAPPING ZONE by location of the OPERATOR controls. An example is a control system that needs two-hand activation.

For OPERATOR control systems without continuous activation, there can be an acceptable mitigation of RISKS, however it is necessary to evaluate the system to the other options in 9.2.2.1.

This clause deals with electronic motion control systems. For manually driven motion systems see other options in 9.2.2.1.

Subclause 9.2.2.6 – Speed of movement(s)

For some medical equipment there will be unavoidable HAZARDS due to moving parts.

Subclause 9.2.3 – Other HAZARDS associated with moving parts

Subclause 9.2.2.1 deals with HAZARDS caused by TRAPPING ZONES. Movement could result in other HAZARDS, such as impact, puncture, etc.

Subclause 9.2.4 – Emergency stopping devices

Emergency stopping devices are designed to prevent accidental damage by preventing or stopping movements of ME EQUIPMENT parts. There could be more than one emergency stopping device on ME EQUIPMENT. ME EQUIPMENT can also include emergency off devices that are intended to disconnect all power to the installation. Emergency off devices are not subject to the requirements of this subclause unless they are also intended to provide the emergency stopping function. Emergency stopping devices could be only one part of the emergency switching function.

Subclause 9.2.5 – Release of PATIENT

This requirement takes account of the possible effect of a power interruption causing unwanted movements, and the likely need in that situation, for the removal of compression forces or the removal of PATIENTS from a hazardous position.

Subclause 9.3 – HAZARD associated with surfaces, corners and edges

The RISK associated with a sharp edge depends upon the position of the sharp edge and the application of the ME EQUIPMENT. For this reason, compliance with this subclause is checked by inspection. In cases of doubt, the test for sharp edges described in UL 1439 [43], can be used as guidance.

This subclause applies for surfaces accessible during NORMAL USE. Care should be given to protecting SERVICE PERSONNEL, or other internal systems where damage could result in an unacceptable RISK (e.g. fluid systems).

Subclause 9.4 – Instability HAZARDS

In NORMAL USE, many types of ME EQUIPMENT are exposed to a variety of conditions during transport (movement from room to room during NORMAL USE). While the requirements of this standard attempt to represent those that might be encountered, the RISK MANAGEMENT PROCESS should evaluate the conditions under which the ME EQUIPMENT is intended to be used and how those conditions might impact BASIC SAFETY or ESSENTIAL PERFORMANCE.

Where failure to remain stable during the performance of these tests could cause HARM to the OPERATOR, PATIENT and other persons (e.g. from crushing or falling); or result in the ME EQUIPMENT failing to meet the applicable BASIC SAFETY requirements of this standard (such as: exposing hazardous voltages, reducing CREEPAGE DISTANCES or AIR CLEARANCES or creating breaches in fire proof ENCLOSURES which are not clearly obvious) or causing a loss of ESSENTIAL PERFORMANCE, instability should be considered to result in an unacceptable RISK.

Subclause 9.4.2 – Instability – overbalance

As an aid to understanding, Table A.3 and Figure A.16 illustrate the logic behind the stability test requirements.

Table A.3 – Instability test conditions

Transport warning	Test plane angle	
	10° plane	5° plane
Transport warning not provided	Must pass in all positions	Not applicable (represented by 10° test)
Transport warning provided	Must pass in transport position (only) Must pass in all positions except transport	Must pass in all positions except transport

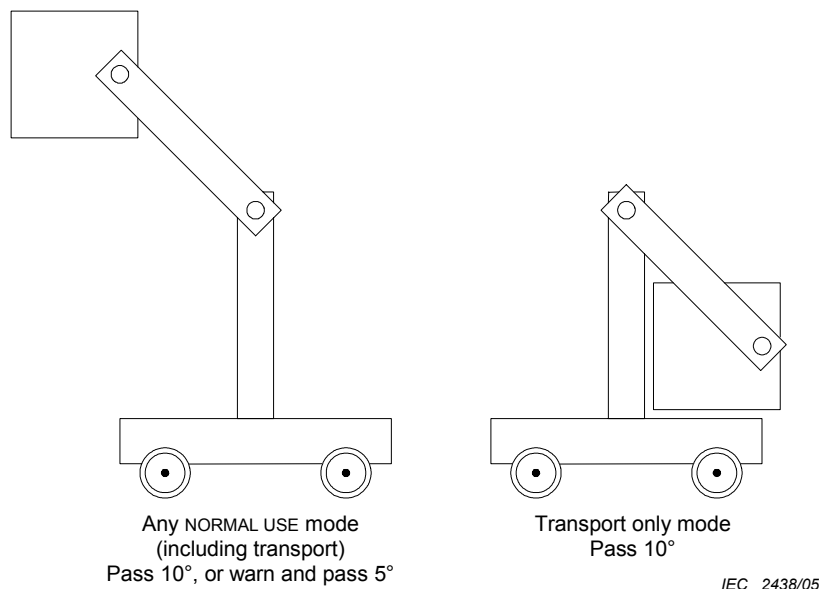


Figure A.16 – Instability test conditions

Subclause 9.4.2.4 – Castors and wheels

Compliance with this subclause is required not only to avoid obvious unacceptable RISK but also to ensure the substantially operative movement as an ESSENTIAL PERFORMANCE. For ME EQUIPMENT to be considered MOBILE, it must be able to be moved from room to room.

Subclause 9.5 – Expelled parts HAZARD

Expelled parts are ME EQUIPMENT parts or fragments of ME EQUIPMENT parts, such as parts of a damaged vacuum display, a mechanical spring, a gas pressure cylinder, a rotating flywheel or an exploded lithium battery that could be expelled by collision, expansion etc.

The degree of protection against “expelled parts” depends upon the probability of occurrence of HARM and the SEVERITY of HARM. Protective measures can include an ENCLOSURE, barrier, or electronic means (e.g. redundant means to prevent lithium battery charging current).

Subclause 9.6.1 – General

Excessive noise can cause fatigue, interference with speech and acoustic signals, or even damage to hearing. Limits to prevent hearing damage are described in ISO standards.

In medically used rooms, much lower limits are needed for the comfort of PATIENTS and medical personnel. The actual effect of ME EQUIPMENT noise is strongly influenced by the acoustical properties of the room, the insulation between rooms and interaction of ME EQUIPMENT parts.

Excessive vibration will cause discomfort to the PATIENT, OPERATOR, and other persons. Prolonged exposure can cause vascular, neurological, or osteo-articular disorders. Excessive vibration can also cause damage to ME EQUIPMENT or a shift in calibration.

Most ME EQUIPMENT covered by this standard exposes the PATIENT and OPERATOR or other persons to negligible levels of noise and vibration. The RISK MANAGEMENT PROCESS should be able to clearly identify those cases where measurements are required.

Subclause 9.6.2 – Acoustic energy

These values are based on the potential for long term hearing impairment. The value usually used for regulatory purposes worldwide is currently 90 dBA with an offset of 5 dBA. However the latest research indicates a value of 85 dBA for 8 h over a 24 h period with an offset of 3 dBA when the time doubles or halves [34].

Although the criteria for judging whether a noise is considered impact noise is intentionally not provided, judgement should be used referring to the situation. Examples of impact noise include: the gradient noise of MRI equipment, and lithotripsy impulses.

Subclause 9.6.3 – Hand-transmitted vibration

Threshold values for vibration are much less clear than those for acoustic energy (noise). The value used here is from the *Directive of the European Parliament and of the Council on the minimum health and safety requirements regarding the exposure of workers to the risks arising from physical agents (vibration)* (sixteenth individual Directive within the meaning of Article 16(1) of Directive 89/391/EEC). It corresponds to about a 10 % incidence of blanching (indicative of neurological damage) after 8 years of regular exposure according to ISO 5349-1. It is more difficult to establish limit values for whole body vibration. Therefore this standard

does not specify such limits. The end points such as back pain and other adverse health effects are not easily quantifiable, and so no agreed-upon exposure standards have been developed. Relevant information of this subject can be found in standards such as ISO 5805 [28], and ISO 8041 [29].

When a person is exposed to various levels of acceleration over a 24 h period, allowable cumulative exposure can be determined as follows. Consider first Table A.4 of allowable time of exposure over a 24 h period for each level of acceleration.

Table A.4 – Allowable time exposure for level of acceleration

Allowable time of exposure over a 24 h period h	Acceleration m/s ²
1	7,07
2	5,00
3	4,08
4	3,54
5	3,16
6	2,89
7	2,67
8	2,50
9	2,36
12	2,04
16	1,77
24	1,44

Some examples of allowable cumulative exposure are provided below.

If a person were exposed to a 5 m/s² acceleration for 1 h (which represents 1/2 daily allowable exposure time for this acceleration), followed by an exposure to a 1,44 m/s² acceleration for 12 h (which represents 1/2 daily allowable exposure time for this acceleration), this would be an acceptable cumulative exposure over a 24 h period.

If a person were exposed to a 4,08 m/s² acceleration for 1 h (which represents 1/3 the allowable daily exposure time for this acceleration), followed by exposure to a 2,36 m/s² acceleration for 3 h (which represents 1/3 allowable daily exposure time for this acceleration), followed by exposure to a 1,44 m/s² acceleration for 8 h (which represents 1/3 allowable daily exposure time for this acceleration), this would be an acceptable cumulative exposure over a 24 h period.

If a person were exposed to a 5 m/s² acceleration for 1 h (which represents 1/2 the allowable daily exposure time for this acceleration), followed by exposure to a 4,08 m/s² acceleration for 1 h (which represents 1/3 allowable daily exposure time for this acceleration), followed by exposure to a 2,04 m/s² acceleration for 2 h (which represents 1/6 allowable daily exposure time for this acceleration), this would be an acceptable cumulative exposure over a 24 h period.

To summarize, for each acceleration determine the fractional value of allowable daily exposure by dividing the actual exposure time for a given acceleration by the allowable daily exposure time for that acceleration. The sum of the fractional values for each acceleration is not to be greater than 1.

Subclause 9.7 – Pressure vessels and parts subject to pneumatic and hydraulic pressure

The requirements of this subclause do not represent the most stringent combination of national regulations or standards.

In some countries such regulations or standards apply.

Type of systems considered include pneumatic pressure systems, hydraulic pressure systems, steam pressure systems and combinations thereof. These systems might or might not include pressure vessels.

HAZARDS

a) Mechanical rupture or breakage (HARM: lacerations, puncture wounds)

The requirements from Clause 45 of the second edition dealing with this HAZARD, have been moved to this subclause, and remain unchanged.

Requirements have been clarified to indicate that all parts have a MAXIMUM PERMISSIBLE WORKING PRESSURE not less than the pressure in NORMAL CONDITION or SINGLE FAULT CONDITION. In principal there should be a suitable safety factor between the MAXIMUM PERMISSIBLE WORKING PRESSURE and the bursting pressure, where the bursting pressure is the pressure at which a part suffers from permanent (plastic) deformation or leakage. Industry standards for pressure parts vary, but suitable safety factors are 3 ×, 4 ×, and sometimes 5 × (ISO, ASME, SAE). As a suitable safety factor can vary, depending on factors associated with the end-use application and RISK, it was considered inappropriate to specify a minimum safety factor in the definition of MAXIMUM PERMISSIBLE WORKING PRESSURE, but instead leave this to the declaration of the MANUFACTURER of such part. It is assumed that MAXIMUM PERMISSIBLE WORKING PRESSURE declarations will be based on recognized international or national standards, and therefore below bursting pressures at least in line with the multiplication factor shown in Figure 32, (3 ×, derated after 1 MPa to as low as 1,3 × after 30 MPa).

For pressure vessels exceeding both an energy limit (pressure × volume) and a maximum pressure limit, the requirement is to conduct a hydrostatic overpressure test based on the MAXIMUM PERMISSIBLE WORKING PRESSURE declaration and the multiplication factor shown in Figure 32, (3 ×, derated after 1 MPa to as low as 1,3 × after 30 MPa).

b) Mechanical loss of support (HARM: crush, puncture wounds)

Requirements have been clarified to specify that components in a pressure system, such as those in a hydraulic lift system whose integrity is relied on to reduce the RISK from loss of support need to comply with the NORMAL CONDITION TENSILE SAFETY FACTORS specified in 9.8. The TENSILE SAFETY FACTOR is typically 4 × for parts not impaired by wear, and 8 × for parts impaired by wear (Case B). Thus parts subject to pressure whose failure could result in mechanical rupture and loss in support need to have a MAXIMUM PERMISSIBLE WORKING PRESSURE based on the higher of the SINGLE FAULT CONDITION pressure and the MANUFACTURER's declaration for each system component as specified in 9.7, or the NORMAL CONDITION pressure and the TENSILE SAFETY FACTOR as specified in 9.8.

c) Leakage of toxic gas or liquid (HARM: chemical or biological cell damage)

The requirements from Clause 45 of the second edition dealing with this HAZARD have been moved to this clause, and remain unchanged.

Requirements have been clarified to indicate that all pressure system components need to have a MAXIMUM PERMISSIBLE WORKING PRESSURE based on the SINGLE FAULT CONDITION pressure and the MANUFACTURER'S declaration for each system component.

d) Leakage of flammable gas or liquid (HARM: fire causing burns or property damage)

The requirements from Clause 45 of the second edition dealing with this HAZARD, have been moved to this clause, and remain unchanged.

Requirements have been clarified to indicate that all pressure system components need to have a MAXIMUM PERMISSIBLE WORKING PRESSURE based on the SINGLE FAULT CONDITION pressure and MANUFACTURER'S declaration each system component.

Subclause 9.7.5 – Pressure vessels

It is assumed that a hydraulic test is not necessary if the pressure is less than or equal to 50 kPa or the product of the pressure and volume is less than or equal to 200 kPa · l.

The safety factors implied by Figure 32 are higher than those generally applied in testing pressure vessels. However, whereas hydraulic testing is normally used to verify that a pressure vessel is free from production faults or serious deterioration, the adequacy of the design being determined in other ways, the present hydraulic test is intended to verify the adequacy of a design where this cannot be established in other ways.

The deletion of national references in the amended text avoids subordinating the requirements of the standard to those of local regulations. The ME EQUIPMENT will sometimes have to satisfy both, or the more demanding, assuming that there are no local regulations that conflict with this standard.

A hydraulic test is specified even for pneumatic vessels, as this is safer for the tester. In achieving the test pressure with a gas, the gas will compress, resulting in more stored energy in the test vessel than would a hydraulic test method. Both methods result in the same test pressure, which is the objective of the test.

Subclause 9.8 – HAZARDS associated with support systems

The term “support” is taken to include “suspension” and loads can include PATIENTS, OPERATORS and other masses.

Support systems can broadly be categorized as follows.

- A suspension system is one that contains flexing or rigid elements that are designed to suspend masses, including PATIENTS and OPERATORS during NORMAL USE.
- Flexing elements include ropes, cables, chains, belts, bands and springs. Additionally a jack screw nut is considered impaired by wear to the extent needing a higher TENSILE SAFETY FACTOR.
- An actuating system is one that contains elements such as electric, pneumatic or hydraulic actuators, motors, gearboxes, shafts, bearings, pulleys, sheaves, band wheels and guides.

- A support structure is generally a rigid device that can be static or moving and which supports ME EQUIPMENT, external loads and, where necessary, PATIENTS and OPERATORS.

TENSILE SAFETY FACTORS are applied to provide a margin of safety to the design after all reasonable allowances for operating conditions, material and manufacturing variables, etc., have been made.

In determining whether case A or B is to be used from Table 21, certainty of material strength is required in order to apply case A values. Additionally there needs to be confidence in the determination of TOTAL LOAD in order to apply case A values. TOTAL LOAD is constituted from “static force” and “dynamic force” components. The static force is normally clear. But the dynamic force/loading is sometimes uncertain. When the dynamic forces are known as well as static forces, the TENSILE SAFETY FACTOR is determined with case A. When the dynamic forces are not clear, and the static forces are known, the TENSILE SAFETY FACTOR is determined with case B.

External forces for PATIENT supports can include those generated by application of CPR, etc.

Elongation at break of 5 % is based on historical experience with metallic materials, in particular steel and cast iron. Materials with elongation at break less than 5 % are considered brittle and their failure is likely catastrophic, and therefore a higher safety factor is considered appropriate.

For non-metallic materials:

- Where no other experience exists, and where failure mode is likely catastrophic, this elongation factor is considered appropriate, and therefore a higher TENSILE SAFETY FACTOR is considered appropriate.
- Where experience and testing show otherwise, an elongation at break of less than 5 % can be appropriate before a higher TENSILE SAFETY FACTOR is justified.

For example, PATIENT tables of X-ray/CT/MR systems are often designed with plastic materials laminated or reinforced by carbon fibres/cloths or glass fibres/cloths, since these PATIENT tables must be optimised for low absorption of X-ray radiation (aluminium equivalence), MR compatibility (low proton signal), as well as structural stability. Although these plastic materials reinforced by carbon fibres/cloths can have elongation at break of less than 5 %, many years knowledge, acquired expertise, and post-market surveillance can provide sufficient evidence that suitable structural stability of PATIENT tables is achieved by applying a TENSILE SAFETY FACTOR from Table 21, Situation 1 (rather than Situation 2).

At end of life or periodic maintenance cycle, ME EQUIPMENT needs to maintain structural integrity. Line 1 of Table 21 is normally appropriate for end of life or the end of the periodic maintenance cycle since wear is no longer considered.

Suspension and actuating systems have TENSILE SAFETY FACTORS that are necessarily high to reduce the effects of deterioration through wear and fatigue.

Particular attention should be given to the fixing of structures to floors, ceilings, etc. that are subject to variable TENSILE SAFETY FACTORS.

A hidden defect is one that is not revealed during manufacture, service or normal operation of the ME EQUIPMENT but that could cause failure of a part that could result in a HAZARD. Examples are high internal stresses in heat-treated parts such as springs, broken strands of wire inside cables and porosity inside castings.

Figure A.17 contains an example of determining the appropriate TENSILE SAFETY FACTOR using Table 21. Figure A.18 contains an example of determining design and test loads. These examples are not intended to cover all possible cases. For a particular design, these TENSILE SAFETY FACTORS and design/test loads can vary according to the materials used, their wear characteristics, loading conditions, etc.

This subclause focuses on safety factors as the suggested approach to have confidence that the equipment will maintain structural integrity during its EXPECTED SERVICE LIFE. In some cases the specified safety factors are more than needed, and in some cases even larger factors could be considered appropriate. The compliance criteria can be satisfied by RISK MANAGEMENT rather than by the use of the safety factor route. For new materials or for structures with sophisticated monitoring of stresses, the safety factors might not be necessary.

If it is deemed that the failure mode of the part does not result in an unacceptable RISK, the TENSILE SAFETY FACTORS specified in Table 21 do not apply. For example, for proprietary components such as bearings it is acceptable to rely on the component MANUFACTURER'S data for load and life expectancy without applying a TENSILE SAFETY FACTOR.

Subclause 9.8.3 – Strength of PATIENT or OPERATOR support or suspension systems

This subclause deals with forces applied on support or suspension parts of ME EQUIPMENT, intended to support or suspend the mass of a human body or part of the mass of a human body, and to ACCESSORIES used on such support or suspension parts. For adult PATIENTS or OPERATORS the 135 kg mass represent the 99 percentile of the population. For specific populations, higher mass or lower mass can be used (e.g. heavy person or paediatric application).

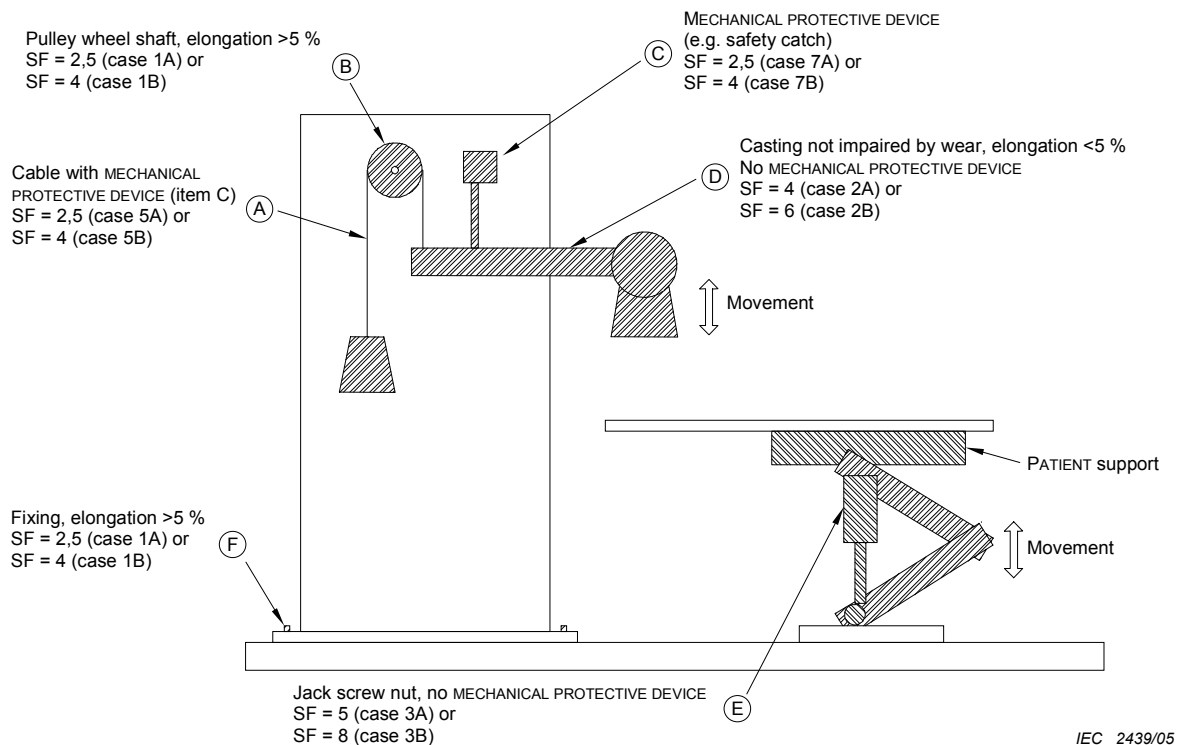
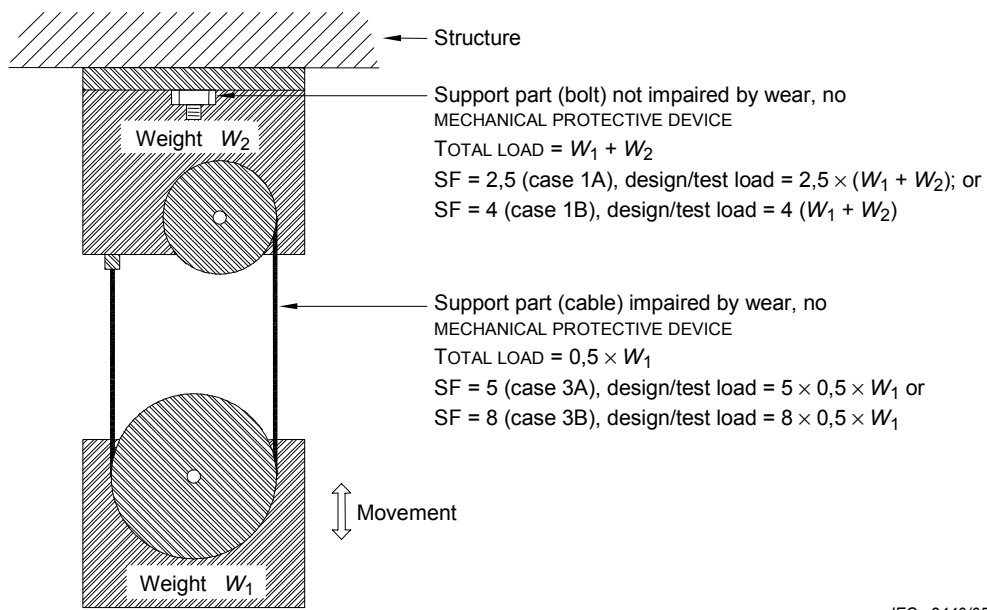


Figure A.17 – Example of determining TENSILE SAFETY FACTOR using Table 21



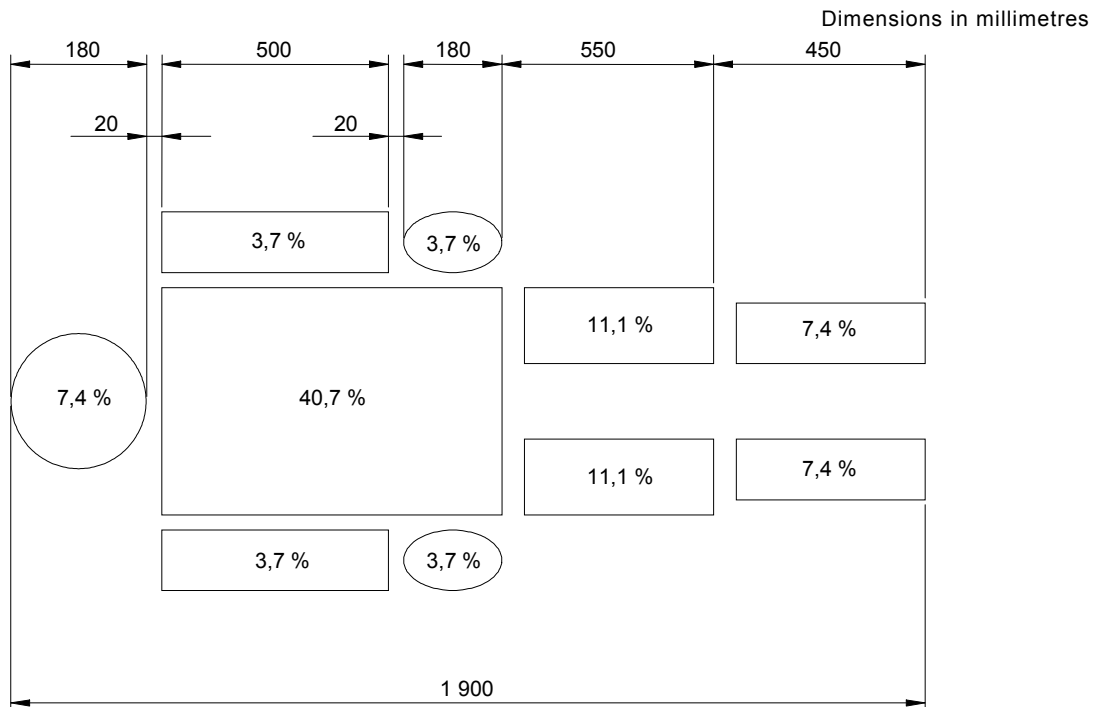
IEC 2440/05

NOTE TOTAL LOAD is shown based on only static forces to obtain actual total loads, dynamic forces also need to be included.

Figure A.18 – Example of determining design and test loads

Subclause 9.8.3.2 – Static forces due to loading from persons

Figure A.19 contains an example of human body mass distribution for PATIENT support surfaces.



IEC 2441/05

Figure A.19 – Example of human body mass distribution

The distribution mass of a body diagram is an average distribution based on anthropometrical data. Due to the variety of population or specific categories of age, it can vary. For sedentary people not having a physical activity the mass of the upper part of the body can represent a more important percentage.

The variety of ME EQUIPMENT does not allow more precision to be given in this general standard. It is up to the particular standard to define more adequately the distribution area or the worst-case position, rather than dynamic tests.

A foot rest is tested for twice its normal load, rather than a load based on a TENSILE SAFETY FACTOR value from Table 21, as it is intended to support a PATIENT'S weight for only a short duration of time.

The test with a mass of 80 kg placed 60 mm from the outer edge is intended to simulate the centre of gravity of a PATIENT sitting or leaning on the edge of a support surface.

Subclause 9.8.3.3 – Dynamic forces due to loading from persons

A general dynamic test is defined which represents common situations represented by a person sitting down or standing up.

The requirement of this subclause is intended to apply to the chairs for dental surgical procedures, X-ray tables, and many other similar types of ME EQUIPMENT. The ME EQUIPMENT should be in all operating modes and positions where dynamic loads from PATIENTS can be reasonably expected. For example, when a PATIENT table is positioned in an area of a CAT or magnet structure, the dynamic test is not applicable as the dynamic loading caused by a PATIENT is negligible.

ME EQUIPMENT should be designed to bear a repeating force, by considering appropriate TENSILE SAFETY FACTORS and the results of fatigue calculations. TENSILE SAFETY FACTORS exist to show the reliability of the equipment without real testing.

The bottom portion of the human body test mass apparatus shown in Figure 33 is foam, and should simulate contact by the relevant PATIENT part.

Subclause 9.8.4 – Systems with MECHANICAL PROTECTIVE DEVICES

The intent of a MECHANICAL PROTECTIVE DEVICE is to act to prevent HARM in the event of the failure of the primary support means that is subject to wear. The failure of the primary support means subject to wear is considered a SINGLE FAULT CONDITION if it has a TENSILE SAFETY FACTOR in accordance with Table 21, rows 5 and 6. To protect against HARM in this SINGLE FAULT CONDITION, the MECHANICAL PROTECTIVE DEVICE acts as a backup, and needs to have the TENSILE SAFETY FACTOR indicated in Table 21, Row 7. It is considered good engineering practice to construct a MECHANICAL PROTECTIVE DEVICE from non-brittle materials, and therefore Row 7 does not include an elongation column.

To test a MECHANICAL PROTECTIVE DEVICE, the primary support means subject to wear needs to be defeated. For example if the primary support system is a cable, the cable would be cut.

Clause 10 – Protection against unwanted and excessive radiation HAZARDS

Radiation from ME EQUIPMENT can occur in all forms known in physics. BASIC SAFETY requirements are concerned with unwanted radiation. Protective measures are necessary for ME EQUIPMENT and for the environment and methods for determining levels of radiation need to be standardized.

This clause is intended to deal with stray radiation (such as scattered radiation from radiological equipment) and incidental radiation (such as X-ray emitted by CRTs). A requirement for unintended or excessive output of radiation that ME EQUIPMENT is intended to deliver to the PATIENT is covered in 12.4.5.

For ionizing radiation IEC requirements generally comply with the International Commission for Radiation Protection (ICRP) Recommendations. Their purpose is to provide data that are immediately usable by designer and RESPONSIBLE ORGANIZATION.

Their evaluation is possible only by adequate study of operating methods and duration of operation of ME EQUIPMENT and positioning of OPERATOR and assistants, because application of worst case conditions would give rise to situations that might hamper proper diagnosis or treatment.

Recent ICRP publications also instruct the OPERATOR in methods for the restriction of intentional irradiation.

Subclause 10.1.1 – ME EQUIPMENT not intended to produce diagnostic or therapeutic X-radiation

Spurious X-radiation from components such as Video Display Units (VDU) is a potential source of concern for ME EQUIPMENT, many of which contain VDUs. Annex H of IEC 60950-1:2001 contains a well-accepted PROCEDURE for measuring such spurious emissions for information technology equipment. The limits in that annex are based on ICRP 60 [39]. The requirements from Annex H of IEC 60950-1:2001 were incorporated into the body of this standard because this was the only normative reference that required the use of IEC 60950-1.

Other normative references to IEC 60950-1 are alternative means of addressing items such as CREEPAGE DISTANCE and AIR CLEARANCE. A user of this standard does not have to reference 60950-1 unless they wish to use the insulation coordination methods contain in that document.

Subclause 10.4 – Lasers and light emitting diodes (LEDs)

A dated reference to IEC 60825-1 was used because at the time of publication of this standard IEC/TC 76 was in the early stages of developing a third edition of IEC 60825-1 and was considering removing the requirements for LEDs from IEC 60825-1.

Subclause 11.1 – Excessive temperatures in ME EQUIPMENT

Temperature limits are required to prevent HAZARDS for almost all types of ME EQUIPMENT with the purpose of preventing rapid ageing of insulation and discomfort where ME EQUIPMENT is touched or manipulated, or injuries where PATIENTS could contact ME EQUIPMENT parts.

ME EQUIPMENT parts might be inserted into body cavities, usually temporarily but sometimes permanently.

For PATIENT contact, special temperature limits have been set.

Subclause 11.1.1 – Maximum temperature during NORMAL USE

Table 22 addresses limits for parts that could affect compliance of the ME EQUIPMENT with this standard in general (e.g. electrical BASIC SAFETY).

It is not intended that the ME EQUIPMENT parts be tested in every possible configuration of NORMAL USE as long as the MANUFACTURER can determine the worst-case conditions. The “worst case” will almost always include the highest allowable ambient temperature and operation of the ME EQUIPMENT at the maximum DUTY CYCLE, but other specific aspects of the configuration of the ME EQUIPMENT (such as attachment of ACCESSORIES) should be determined by the MANUFACTURER based on a thorough understanding of the ME EQUIPMENT'S design.

Subclause 11.1.2 – Temperature of APPLIED PARTS

Table 23 and Table 24 addresses HAZARDS that could arise from human contact with higher temperatures. Human contact temperatures were based on clinical expertise, clinical literature [52] and experimentation. In addition, the values agree with those of the European Norm EN 563 [38].

Although the maximum surface temperature for an APPLIED PART was raised from 41 °C to 43 °C in response to the clinical input mentioned above, input from some clinicians pointed out that infants as well as some other (thermally) high risk groups could be more prone to HARM from heated surfaces at 43 °C.

Ideally, particular standards for ME EQUIPMENT used for these PATIENT groups would have requirements for (where necessary) lower contact temperatures. In order to address those cases where such particular standards do not exist, the working group felt that notification of the RESPONSIBLE ORGANIZATION when temperatures exceed the second edition limit of 41 °C was adequate. However, the new 43 °C limit is to be considered an absolute maximum.

When measuring APPLIED PART temperatures, the method used should simulate the worst-case configuration when possible using real or simulated human skin. Determination of the worst-case configuration should consider aspects such as the likely body temperature and whether or not the part of the body or APPLIED PART itself is covered (such as with a blanket). Simulated human skin for these purposes could include materials such as silicon rubber.

Subclause 11.1.2.2 – APPLIED PARTS not intended to supply heat to a PATIENT

Table A.5 is provided as guidance for ME EQUIPMENT that creates low temperatures (cools) for therapeutic purposes or as part of its operation. Normative requirements have not been included in this standard because such ME EQUIPMENT is uncommon.

Table A.5 – Guidance on surface temperatures for ME EQUIPMENT that creates low temperatures (cools) for therapeutic purposes or as part of its operation

ME EQUIPMENT and its parts		Minimum Temperature ^a °C	
		Aluminium	Steel
External surface of ME EQUIPMENT and its parts that are likely to be touched for a time “t” ^b .	$t < 1$ s	–20	–20
	$1 \text{ s} \leq t < 10$ s	–10	–15
	$10 \text{ s} \leq t < 60$ s	–2	–7
^a The allowable minimum temperature limit values for external surfaces that are likely to be touched by the PATIENT, OPERATOR and other persons are based on freezing threshold values of a finger touching different materials (frostbite threshold). ^b The probability of occurrence of contact and the duration of contact should be determined and documented in the RISK MANAGEMENT FILE.			

Subclause 11.1.3 – Measurements

The proper use of thermocouples is recognized in other standards as a valid test technique. The temperature limits are lowered to compensate for errors that could occur in the construction and placing of the thermocouple.

Subclause 11.2 – Fire prevention

Within most environments where ME EQUIPMENT is used, other sources of “fuel” for combustion are typically far more significant than that provided by the ME EQUIPMENT itself. The requirements addressing fire in this standard focus on preventing the ME EQUIPMENT from being the source of combustion. For this reason, these requirements focus on ME EQUIPMENT that contains or is used in the presence of OXYGEN RICH ENVIRONMENTS. These requirements attempt to ensure that any potential source of ignition remains isolated from the OXYGEN RICH ENVIRONMENTS under NORMAL USE and SINGLE FAULT CONDITIONS.

Where ME EQUIPMENT is not used in such environments, assuring that the limits for operating temperatures and requirements for overload protection are met should be considered adequate.

For ME EQUIPMENT that could provide a significant source of fuel (in comparison to the normal operating environments) additional requirements should be provided by particular standards. Where no particular standard exists, such issues should be specifically addressed in applying the RISK MANAGEMENT PROCESS as required in 4.2.

Subclause 11.2.1 –Strength and rigidity required to prevent fire in ME EQUIPMENT.

At least all electrical parts that could result in a HAZARD, with the exception of POWER SUPPLY CORDS and other necessary interconnecting cords, should be enclosed in material that will not support combustion.

This does not preclude the use of an outer cover of other material covering an inner cover complying with the above recommendation.

For guidance on assessing fire HAZARDS, see IEC 60695-1-1 [17].

Subclause 11.2.2 – ME EQUIPMENT and ME SYSTEMS used in conjunction with OXYGEN RICH ENVIRONMENTS

While not a flammable mixture, the presence of an OXYGEN RICH ENVIRONMENT increases the flammability of many substances. Reports of fires in OXYGEN RICH ENVIRONMENTS in ME EQUIPMENT are unusual. However, when such fires do occur in the hospital environment they can have tragic consequences.

ME EQUIPMENT intended to operate in conjunction with an OXYGEN RICH ENVIRONMENT should be designed to minimize the probability or occurrence of ignition of flammable materials.

Where appropriate, particular standards should specify the corresponding requirements.

Subclause 11.2.2.1 a)

Cotton is regarded to be the material with the lowest ignition temperature and energy in comparison with electronic circuits and it is assumed that it can be found in the interior of a device as dust.

The maximum surface temperature limit is based on the minimum hotplate ignition temperature for fire retardant cotton in 100 % oxygen that is given in NFPA 53 [41] as 310 °C. The assumption was therefore made that 300 °C was an acceptable temperature limit in ME EQUIPMENT with OXYGEN RICH ENVIRONMENTS.

The worst case conditions described in the text make it possible to provide simple numbers as limitations.

The values for sparking are taken from Kohl, H.-J. *et al.*, ASTM STP 1395 [37].

This subclause allows the use of electronic circuits in OXYGEN RICH ENVIRONMENTS only when their power supply is limited. The resistive limitation of the power input is necessary for the SINGLE FAULT CONDITION of an open solder joint that might spark. The same reason applies to the limitation of energy in capacitances and inductances. In most cases the limitation in item 4) to 300 °C is more restrictive than these. For most small components like decoupling capacitors, or where the failure of a component causes the maximum possible power to be drawn from the source, it is necessary to limit the power to about 1 W. The PROCEDURE to find the necessary value to limit the power so that the 300 °C limit is not exceeded can be as follows:

- look for the smallest component that can match to the power source in a SINGLE FAULT CONDITION;
- estimate its thermal resistance;
- calculate the power limitation = 200 °C / thermal resistance.

Subclause 11.2.2.1 b) 2)

This item addresses the condition of an undetected oxygen leak. In accordance with the definition of SINGLE FAULT SAFE, such a leak (because it is undetected) is considered a NORMAL CONDITION (see 4.7). Similarly, only the failure of the ventilation, which is undetected, needs to be considered a NORMAL CONDITION. Where a ventilation system's design makes it unlikely that it will be completely blocked in NORMAL USE, such blockages should not be considered. The only way to find the maximum leak rate that needs to be considered is to find the minimum leak rate that can safely be detected by the RESPONSIBLE ORGANIZATION.

Subclause 11.2.2.1 b) 3)

The cause of the HAZARDOUS SITUATION is: a leak occurs and is not detected; some time later an electrical failure occurs that starts an ignition. The time interval t_c for checking the seals can be calculated as follows:

- estimate the probability per time p_e of an electrical failure that exceeds the values given in 11.2.2.1 a);
- estimate the probability per time of the oxygen leak p_o ;
- determine the accepted probability of dangerous failures per time r ;
- calculate: $t_c = r / (0,5 \times p_e \times p_o)$.

Subclause 11.2.2.2 – External exhaust outlets for OXYGEN RICH ENVIRONMENT

Serious oxygen fires have been reported where the ignition source has been a faulty electrical connector close to an oxygen outlet.

Subclause 11.3 – Constructional requirement for fire ENCLOSURES of ME EQUIPMENT

The requirements for fire ENCLOSURES from IEC 61010-1 [22] have been included primarily as an alternate to the tests related to SINGLE FAULT CONDITIONS (associated with combustion and its consequences listed in Clause 13). By requiring flame resistance for the ENCLOSURE and materials contained within it, the probability of occurrence of fire escaping such ENCLOSURES is considered minimal. Where the fire ENCLOSURE constitutes only a part of the ME EQUIPMENT, careful analysis should be performed to assure that a reliable barrier to the propagation of fire exists.

Subclause 11.4 – ME EQUIPMENT and ME SYSTEMS intended for use with flammable anaesthetics

While the use of flammable anaesthetics is uncommon, it was determined during the writing of this edition that some MANUFACTURERS might still want to rate their ME EQUIPMENT as CATEGORY AP or CATEGORY APG. In order to make this edition more usable (by removing the rarely used section on this topic) while maintaining the availability of the CATEGORY AP and CATEGORY APG RATINGS, the material has been moved to an annex and only this clause's brief reference to it remains in the body of the standard.

The final determination of whether ME EQUIPMENT should be RATED CATEGORY AP or CATEGORY APG should be determined by the MANUFACTURER based on the INTENDED USE. Requirements related to CATEGORY AP and CATEGORY APG are found in Annex G (see also the rationale for Annex G).

Subclause 11.5 – ME EQUIPMENT and ME SYSTEMS intended for use with flammable agents

While it was necessary to address cases where ME EQUIPMENT is used with flammable agents (such as some disinfectants) or in areas where they are commonly used and where the MANUFACTURER of the ME EQUIPMENT has given no special handling instructions or precautions, the variety of such agents, their volatility as well as many other determinant factors precludes giving specific instructions. The only reasonable solution in such cases is to assure that the MANUFACTURER evaluates and addresses the associated RISK.

A mixture of the vapour of a flammable disinfection or cleaning agent with air can be treated as a FLAMMABLE ANAESTHETIC MIXTURE WITH AIR subject to national or local regulations.

Subclause 11.6.2 – Overflow in ME EQUIPMENT

The purpose of this test is to assess not only whether the liquid actually wets any parts in a way that would adversely affect a MEANS OF PROTECTION or result in a HAZARD; but also whether a similar amount of liquid that could overflow on another occasion and reach the same parts of the ME EQUIPMENT, but possibly not land in exactly the same way, could adversely affect a MEANS OF PROTECTION or result in a HAZARD. The results of the test should be evaluated to assure they realistically represent conditions that will be experienced when the ME EQUIPMENT is used.

Subclause 11.6.3 – Spillage on ME EQUIPMENT and ME SYSTEMS

In addition to ME EQUIPMENT that requires the use of fluids, many types are exposed to fluid spills as part of their REASONABLY FORESEEABLE MISUSES. In such cases (as well as for ME EQUIPMENT requiring fluids) the amount and location where spills can occur vary greatly. Only a proper evaluation of the ME EQUIPMENT being tested can determine an appropriate application of the requirement. Doing such an evaluation is the responsibility of the MANUFACTURER and the results are to be provided to those performing the test (typically in the RISK MANAGEMENT FILE). This requirement would be an appropriate area for evaluation by writers of particular standards.

Examination of the NORMAL USE of ME EQUIPMENT should provide an adequate estimate of the amount of fluid that is likely to be spilled on it.

Spillage for equipment that does not require the use of fluids is considered to be a SINGLE FAULT CONDITION.

Subclause 11.6.4 – Leakage

Leakage is considered to be a SINGLE FAULT CONDITION.

Subclause 11.6.5 – Ingress of water and particulate matter into ME EQUIPMENT and ME SYSTEMS

Although it is unlikely that ME EQUIPMENT would be RATED for protection against particulate matter, IEC 60529 does address the possibility and it should be considered a valid option. The presence of any water or particulate matter inside the ENCLOSURE after testing in accordance with its IEC 60529 classification is regarded as a NORMAL CONDITION. The requirement is therefore to assess the possibility of a HAZARDOUS SITUATION due to such ingress in combination with a possible SINGLE FAULT CONDITION (such as an interrupted PROTECTIVE EARTH CONNECTION).

Subclause 11.6.8 – Compatibility with substances used with the ME EQUIPMENT

ME EQUIPMENT, ACCESSORIES and parts thereof should be designed to be used safely with the substances with which they are intended to come into contact in NORMAL USE.

Where appropriate, particular standards should specify the corresponding requirements.

Subclause 11.8 – * Interruption of the power supply / SUPPLY MAINS to ME EQUIPMENT

Interruption of the power supply could result in a HAZARD due to loss of functionality. This HAZARD is dealt with in 7.9.2.4. Restoration of the power source can also result in HAZARDOUS SITUATIONS. Examples could include unintended activation of moving parts or resumption of dangerous outputs. These potentially HAZARDOUS SITUATION and the duration of the power interruption that could result in the HAZARDS need to be considered as part of the RISK MANAGEMENT PROCESS.

IEC 61000-4-11 [21] defines general and reproducible conditions for the operation of electrical and electronic equipment if they undergo voltage dips, short interruptions and voltage variations. The voltage level and duration of short interruptions are defined in Tables 210 and 211 of IEC 60601-1-2:2001. IEC 60601-1-2 treats these short interruptions as a NORMAL CONDITION.

For ME EQUIPMENT in which the safety of the PATIENT depends on the continuity of the power, particular standards should include requirements regarding power failure alarms or other precautions.

Clause 12 – Accuracy of controls and instruments and protection against hazardous outputs

IEC 60601-1 is the guideline for all particular standards and, therefore, contain some requirements of a more general character in order to serve this purpose. For this reason, it is necessary to have some generally formulated requirements in Clause 12.

Standardization bodies, including those outside IEC, have adopted the system of this IEC publication in order to have a single uniform system of standards. In such cases it is most important to give a guideline in this clause.

This clause introduces the concept of USABILITY. The term was chosen over the commonly used terms of “user error” or “human error” because not all errors are the result of oversight or carelessness on the part of the OPERATOR of the ME EQUIPMENT. All too frequently, use errors are the direct result of poor human interface design that seduces the OPERATOR into an incorrect decision. Use errors caused by inadequate USABILITY have become an increasing cause for concern. The USABILITY ENGINEERING PROCESS described in IEC 60601-1-6 is intended to achieve reasonable USABILITY, which in turn is intended to minimise use errors and to minimise use associated RISKS.

Subclause 12.4.1 – Intentional exceeding of safety limits

If the control range of ME EQUIPMENT is such that the delivered output in a part of the range considerably differs from the output that is regarded as non-hazardous, means should be provided that prevent such a setting or that indicate to the OPERATOR (for example by means of an apparent additional resistance when the control is set or the bypassing of an interlock) that the selected setting is in excess of a safety limit.

Where appropriate, particular standards should specify safe output levels.

Subclause 12.4.3 – Accidental selection of excessive output values

Protection for the accidental selection of excessive output values can be obtained by appropriate steps to minimise the possibility to accidentally select excessive output, e.g. by interlocks in order to achieve deliberate action or by separated output terminals. In considering the measures for protection, the standard on human factors could be taken into account.

Clause 13 – HAZARDOUS SITUATIONS and fault conditions

ME EQUIPMENT or its parts could result in HAZARDS due to abnormal operation or fault conditions, which, therefore, needs to be investigated. While this clause identifies specific fault conditions, 4.7 requires that the RISK ANALYSIS be used to identify other failures which should be investigated.

Subclause 13.1.1 – General

While separation requirements (CREEPAGE DISTANCES and AIR CLEARANCES) and insulation requirements are detailed in Clause 8, these requirements should not be viewed as applying only to RISKS associated with electrical HAZARDS. In addition to the potential for electric currents to cause fibrillation (due to electric shock), these currents can also be the root cause of injuries not directly related to electric shock.

Examples of these other HAZARDS (related to inadequate or faulty insulation or short circuits across physical spacing used as insulation) could include sparks that could become a source of ignition of flammable materials (as discussed in Clause 11) or functional failures that could cause a loss of ESSENTIAL PERFORMANCE. In these cases, compliance with the insulation requirements of Clause 8 should always be considered evidence that RISKS arising from the failure of insulation or spacing have been adequately addressed when evaluating the safety of ME EQUIPMENT.

Finally, it should be noted that the requirements for CREEPAGE DISTANCES and AIR CLEARANCES are not intended to be required at the circuit board level where there is no significant RISK that spacings will be compromised (shorted) by contaminants (from NORMAL USE or the manufacturing PROCESS) such as fluids or particulate matter (see also IEC 60529). In most applications, spacing between (for example) circuit board traces and component leads are not considered likely to fail. In cases where there is doubt as to whether spacing could fail (where the CREEPAGE DISTANCE and AIR CLEARANCE requirements of 8.9 are not met), the MANUFACTURER'S RISK ANALYSIS should evaluate the likelihood of shorting across such gaps, but only where such short-circuiting could directly result in unacceptable RISKS. Where shorting across spacing or insulation failures are clearly not likely to result in unacceptable RISKS, such analysis should not be required.

Subclause 13.1.2 – Emissions, deformation of ENCLOSURE or exceeding maximum temperature

The delivery of unintended hazardous quantities of energy or substances to a PATIENT or into the natural environment could be addressed by particular standards.

Hazardous quantities of poisonous or ignitable gas depend on the type of gas, concentration, place of emission etc.

SINGLE FAULT CONDITIONS that might result in a small fire, but where the fire would remain contained within a fire ENCLOSURE, are acceptable because the containment will limit the effects to the area inside of the fire ENCLOSURE.

At a power dissipation of less than 15 W in the absence of an increased oxygen concentration (see 11.2.2), no fire HAZARD exists. Where circuits could dissipate 15 W or greater, it should be demonstrated that components within such circuits will not cause fire, molten metal, etc. to propagate in such a way as to result in a HAZARD (by setting the surroundings on fire for example). However, as in IEC 61010-1 [22], it is considered that when such components are enclosed in a fire ENCLOSURE as defined in 11.3, adequate protection from such propagation is provided.

It is felt that limiting the maximum temperatures for APPLIED PARTS to the NORMAL CONDITION values is appropriate because exceeding them is known to result in HARM and the PATIENT is frequently unable to pull away.

Subclause 13.2.9 – Interruption and short circuiting of motor capacitors

The effect of functioning centrifugal switches can be taken into account. A locked rotor condition is specified because some capacitor motors might or might not start, causing variable results. Capacitor voltage is checked to assure that its dielectric will not be stressed causing the accumulation of hazardous gases including hydrogen.

While the short circuit or open circuit of the capacitor is a SINGLE FAULT CONDITION and locking of the rotor is also a SINGLE FAULT CONDITION (see 13.2.8) this is regarded as an instance of the situation referred to in 4.7, where one SINGLE FAULT CONDITION can result unavoidably in another SINGLE FAULT CONDITION and the two failures are considered as one SINGLE FAULT CONDITION.

Subclause 13.2.10 – Additional test criteria for motor operated ME EQUIPMENT and Table 26, last line

Temperature limits of motor windings in ME EQUIPMENT are determined after the first hour as an arithmetic average because experience of test houses has shown that ME EQUIPMENT for non-CONTINUOUS OPERATION reaches variable values that could temporarily differ from the maximum values. Therefore, lower temperature limits are required. The values in Table 26 are based on the requirements of IEC 60950-1:2001.

Subclause 13.2.13.1 – General overload test conditions

The ball pressure test is not intended to represent the exact conditions experienced in use. The test is performed at elevated temperatures to test the robustness (adequate safety factor) of the mechanical properties of the insulation. The principle is not unlike dielectric withstand testing which subjects insulation to voltages far in excess of those seen in use.

Subclause 13.2.13.4 – ME EQUIPMENT RATED for non-CONTINUOUS OPERATION

Where ME EQUIPMENT or parts thereof are RATED for non-CONTINUOUS OPERATION but controls allow OPERATORS to leave it in operation (should a medical or other emergency occur), the CONTINUOUS OPERATION of the ME EQUIPMENT is considered reasonably foreseeable misuse. Where safety is dependent on switching the ME EQUIPMENT or parts thereof off after a prescribed period, steps should be taken to assure that intentional action is not required to do so.

Clause 14 – PROGRAMMABLE ELECTRICAL MEDICAL SYSTEMS (PEMS)

Computers are increasingly used in ME EQUIPMENT, often in safety-critical roles. The use of computing technologies increases the level of complexity in ME EQUIPMENT. This complexity means that systematic failures can escape the practical limits of testing. Accordingly, this clause goes beyond traditional test and measurement of the finished ME EQUIPMENT and includes requirements for the PROCESSES by which it is developed. Testing of the finished product is not, by itself, adequate to address the safety of PROGRAMMABLE ME EQUIPMENT.

For these reasons, this clause requires that a PROCESS with specific elements be established and followed. The intention is to establish these specific PROCESS elements, leaving the user of this clause to determine in detail how to accomplish them. This is similar to the approach taken in the ISO 9000 series. Because users of this clause are expected to be qualified to perform the identified activities, detail has been kept to a minimum.

While iteration of some elements of the PROCESS is expected, no specific requirements to do so have been included. These requirements were omitted because the need to repeat PROCESSES or portions of them is unique to each particular device. In addition, the need for such iteration will arise from the more detailed understanding that emerges during the design PROCESS.

Because users of this standard are required to establish, maintain and apply a RISK MANAGEMENT PROCESS as part of compliance, this clause establishes those characteristics unique to programmable systems that should be considered as part of that PROCESS.

The effective application of Clause 14 will require, subject to the task in hand, competence in the following:

- application of the specific ME EQUIPMENT with emphasis on safety considerations;
- ME EQUIPMENT development PROCESS;
- methods by which safety is assured;
- techniques of RISK ANALYSIS and RISK CONTROL.

Requirements have been minimized to those that are essential to assuring BASIC SAFETY and ESSENTIAL PERFORMANCE. This has been done in recognition of the extensive and growing literature in the fields of software assurance and RISK ASSESSMENT techniques as well as the rapid evolution of this discipline.

Subclause 14.1 – General

This standard requires the application of a RISK MANAGEMENT PROCESS in accordance with ISO 14971. This is particularly relevant to PEMS, because of the difficulty of showing the correctness of software or complex hardware. Therefore the design of a PEMS has to be performed within a RISK MANAGEMENT PROCESS, in which RISK CONTROL measures are related to the RISKS being controlled. If the application of ISO 14971 shows that a PESS has the potential to contribute to a HAZARDOUS SITUATION, and non-software RISK CONTROL measures external to the PESS have not reduced the RISK to an acceptable level, Clause 14 adds extra RISK MANAGEMENT and life-cycle PROCESSES for the PEMS.

Compliance VERIFICATION requires the MANUFACTURER'S internal assessment to cover not only the requirements of this clause but also those of ISO 14971.

Compliance with the requirements of Clause 14 is judged by examining the documentation produced by the PROCESSES required in the various subclauses. Clause 14 should be applied as a whole and not selectively. All of this documentation is required to be in the RISK MANAGEMENT FILE.

The concept of assessment has been introduced in the compliance statement to allow for methods other than inspection where necessary, such as audit. Thus, although there is no general requirement for the MANUFACTURER to operate a quality management system in accordance with ISO 13485 [30], certain features of such a system are necessary. One feature that is commonly regarded as essential for a quality management system to be effective is a PROCESS of audit and review performed within the organisation to confirm that it is actually following its own PROCEDURES; this is separate from any external assessment that could be performed to demonstrate compliance with standards or regulatory requirements. This standard, therefore, requires that the MANUFACTURER not only document certain aspects of the design PROCESS but also carry out an assessment to confirm that the requirements of this clause have been followed.

Subclause 14.2 – Documentation

The expected way by which compliance with PROCESS requirements can be determined is by assuring that the documentation required for each PROCESS step has been generated. While most of the requirements of ISO 14971 are crucial components of an adequate software life-cycle, Clause 14 contains many additional PROCESS steps not required by that standard. Therefore, the documentation that these additional PROCESS steps (in Clause 14) require is necessary for a certification body to determine that the PROCESS steps have been performed. Because Clause 14 addresses those RISKS associated with PEMS, this documentation is required to be included in the RISK MANAGEMENT FILE.

Since compliance with Clause 14 is determined by inspection and assessment to assure that the required documentation has been generated, the quality and accuracy of these documents is important. Because demonstration of the safety of a PEMS depends on documentation, an effective system is needed to ensure the integrity of the documentation and, if different versions of a document exist, to identify the applicability of each version. Therefore it is required that the documents be generated, revised and maintained under a formal document control system. MANUFACTURERS should assure that this documentation is clear and comprehensive to assist in the assessment PROCESS.

Subclause 14.3 – RISK MANAGEMENT plan

ISO 14971 requires that a RISK MANAGEMENT plan be prepared and maintained in the RISK MANAGEMENT FILE.

In addition to elements of the RISK MANAGEMENT plan required by ISO 14971, a PEMS VALIDATION plan is required because validation is seen as a necessary activity when developing a PEMS.

Subclause 14.4 – PEMS DEVELOPMENT LIFE-CYCLE

A documented life-cycle helps ensure that safety issues are considered throughout a product's development. This is important for all products and it is vital for PEMS. Safety cannot be added to a PEMS after it has been developed. Two reasons for this are as follows.

- a) The actual PROCESSES used in the development of a PEMS, and the quality and rigour of those PROCESSES, are decided as a result of RISK ASSESSMENT. If it is discovered later on that inappropriate PROCESSES were used or that inadequate quality and rigour were applied, then the development will have to be repeated with correct PROCESSES.
- b) Changes made at a late stage in the PEMS DEVELOPMENT LIFE-CYCLE are likely to be expensive (both in time and money). This is particularly true if a system requirement is incorrect or missing. System architecture can also be vulnerable to late changes. Often, the architecture is part of the safety case. Late changes can require significant rework in order to maintain the integrity of an architectural solution.

Framework

A life-cycle for the development of a product provides a framework that allows the necessary safety activities to take place in a timely and systematic manner. It should not impose unnecessary restrictions and it should ensure that all the required safety activities take place. The life-cycle needs to be decided early. Different life-cycle models are acceptable. Clause H.2 explains PEMS DEVELOPMENT LIFE-CYCLES in more detail. IEC 62304 [26] describes the PROCESSES to be included in the software development life-cycle for the development of safe medical device software.

Milestones and activities

The requirement for milestones, and activities with inputs and outputs for each, ensures that due consideration is given to:

- the activities,
- what needs to be done before the activity can start, and
- what the activity needs to provide,

so that VERIFICATION of the results can be performed.

The sequence of activities in the life-cycle is required to be defined in terms of milestones because this offers the greatest flexibility to the MANUFACTURER. No requirement is made concerning the number or nature of the milestones, nor is there any implication that all project activities have to pass through the milestones simultaneously. This standard has not used the term “phases” although this term was used in IEC 60601-1-4 [14]. The term has been avoided because it is difficult to express concurrency and overlap in a phase model.

In a good life-cycle:

- the necessary activities are defined in advance of their performance;
- the PROCESSES used in development activities could be specified as an outcome of RISK MANAGEMENT;
- the sequence of activities is defined so as to ensure that necessary inputs to an activity are available before the activity starts;
- criteria are defined for deciding whether the activity has been satisfactorily completed; and
- accountability is facilitated.

Activities are defined in terms of inputs and outputs because it is simple to measure whether those inputs and outputs exist. The MANUFACTURER is responsible for deciding how the milestones are achieved and how the required documentation is produced.

In order to determine whether each activity has been satisfactorily completed, it is required that the criteria for VERIFICATION of each activity be defined. VERIFICATION examines whether the inputs have been transformed into the outputs completely, correctly and according to the required PROCESS. No requirement is made concerning the type or extent of VERIFICATION, except for VERIFICATION of RISK CONTROL measures and ESSENTIAL PERFORMANCE (see 14.10).

Subclause 14.5 – Problem resolution

Where appropriate, a documented system for problem resolution is required by this standard.

Problems can arise:

- with the product;
- within a PROCESS;
- between PROCESSES.

Examples of problems are:

- inconsistent requirements;
- ambiguous requirements;
- missing specifications;
- coding errors;
- incorrect operation of the PEMS.

A system for problem resolution is needed to ensure that when a problem arises, its impact on HAZARDS and their consequent RISK is managed. Ad hoc methods for resolving problems can undermine the benefits obtained by using a systematic life-cycle approach. An appropriate place to document the system for problem resolution is as part of the PEMS DEVELOPMENT LIFE-CYCLE.

Subclause 14.6.1 – Identification of known and foreseeable HAZARDS

PEMS have extra initiating causes for HAZARDS.

Subclause 14.6.2 – RISK CONTROL

As the choice of the PROCEDURES and tools used by a MANUFACTURER for the development of a PEMS will be influenced by many factors, this subclause requires that one of the factors for the choice is the RISK reduction required for the RISK CONTROL measure. A RISK CONTROL measure that is developed using PROCEDURES and tools that are known to be good is more likely to carry out its intended functions than one developed using PROCEDURES and tools that are of unknown quality.

Subclause 14.7 – Requirement specification

RISK CONTROL measures are used to control the RISK of identified HAZARDS. The requirements for these measures are documented in requirement specifications. The requirement should both specify what the measure does and how well it does it. ISO 14971 does not demand a requirements specification.

Verifiable requirements

Requirements should be verifiable. This applies to both the function of the RISK CONTROL measure and how likely it is to perform correctly. Quantitative VERIFICATION of failure rates is, generally, impractical for software. VERIFICATION of a qualitative approach would be by verifying that the appropriate PROCESSES were used.

Identifiable safety requirements

The requirement to distinguish the RISK CONTROL measures and ESSENTIAL PERFORMANCE is needed to ensure that they are implemented and to ensure that if there is a need to change the ESSENTIAL PERFORMANCE or a RISK CONTROL measure, the impact of the change on the RESIDUAL RISK can be assessed.

Decomposition

Examples of a PEMS structure are shown in Annex H. Requirements to implement the RISK CONTROL measures should be specified for the PEMS and for any PESS that implements or partially implements one or more RISK CONTROL measure. This can be in a single document or in several documents.

Subclause 14.8 – Architecture

An architecture specification is not required by ISO 14971. It is an additional requirement for PEMS because:

- often the architecture chosen will be part of a RISK CONTROL measure. RISK CONTROL measures need to be explicit for complex systems such as a PEMS;
- architecture specifications are recognized as a necessary part of a good software development PROCESS such as is required for a PEMS.

There is a list of architecture features for inclusion in the specification where appropriate. This list has been selected because in particular circumstances one or more of the features could be used to control the RISK of a HAZARD. For example, the use of a COMPONENT WITH HIGH-INTEGRITY CHARACTERISTICS will effectively remove any RISK that would result from the failure of that component.

Subclause 14.8 e)

Partitioning of functionality can be useful when there is a significant need for rigorous safety validation of PEMS.

The software (firmware and application layers) is distinctly divided into critical, non-critical and supervisory sections. Partitioning is used so that the instructions and data of the critical, non-critical and supervisory sections do not interfere with each other and that there is separation of duties among the sections of the software. If there is no separation of duties among the sections of the software, all software should be defined as critical, to make sure that the analysis has taken into consideration the critical section of the software.

Requirements for separating critical code from non-critical code include RISK ASSESSMENT of the entire system, RISK CONTROL strategies employed, analysis of physical resources and an analysis of logical properties (e.g., control and data coupling). In general, partitioning should separate and isolate the safety-related functionality from the non-safety-related functionality in the design and implementation. This PROCESS can minimize, or at least reduce, the VERIFICATION necessary to assure that data shared by or passed to the critical section does not affect the specified operation of the safety critical code.

Partitioning includes the following steps:

- a) identification of critical, non-critical and supervisory sections. The means of identification depends upon the modularity of the code, the programming language, the code design and other specification attributes;
- b) description of the interfaces between the critical and non-critical sections:
 - 1) identification of data or variables global to the critical and non-critical sections, modules, etc., identified in step a);
 - 2) identification of any parameters that are passed between critical and non-critical sections, modules, etc., identified in step a);
 - 3) description of the flow of the data, variables or parameters identified in steps b) 1) and b) 2);
 - 4) description of the mechanism which is used to prevent data corruption, overwriting or other errors of the above identified data, variables or parameters which would affect safety critical performance;
- c) validation of the integrity of the partition. This can be accomplished by functional testing and stress testing techniques.

Subclause 14.8 g) to n)

There is a list of items to be taken into consideration in the architecture specification. This list has been selected because each of these items could influence the choice of architecture.

Subclause 14.9 – Design and implementation

The technical solutions chosen need to be defined. It is often appropriate to decompose a PEMS into subsystems. Figure H.1 shows examples of PEMS/ PESS structures with different amounts of decomposition. Reasons for decomposing a PEMS could include the following.

Keeping the complexity of subsystems manageable

The less complex the system the easier it is to understand and consequently easier to design and then maintain. The resulting design is more likely to be correct and easier to test. Coding standards should specify limits for complexity.

Architecture

The system architecture could make it logical to separate systems e.g. if diverse systems are needed they should be implemented as distinct subsystems.

Modularity

Modularity can facilitate the provision of different system options, reuse of an existing proven subsystem and the extension of system functionality.

Physical components

A sensible division of physical subsystems will help the diagnosis and repair of hardware faults.

Different technologies

Often different engineers will implement the hardware and the software design. In this case specifying each as a separate subsystem will enable each to be implemented independently.

The overall system will only function correctly if each of its constituent subsystems has been adequately specified. This leads to the requirement for a design specification for each subsystem. A design specification for a subsystem would typically include a detailed interface specification, and could include implementation details, e.g. algorithms.

Each subsystem should be tested to show that the design specification has been correctly implemented. This leads to the requirement for a test specification for each subsystem.

The design and test specifications can be documented in whatever form is practicable, e.g. they can be separate documents or they can be combined in a larger document. The design specification and the test specification for each subsystem should be identifiable.

Examples of the elements of the design environment are given in H.4 a). Such elements will have an influence on the quality and correctness of the design. Some elements will have been identified as the suitably validated tools and PROCEDURES (see 14.6.2). The descriptive data regarding the design environment facilitates VERIFICATION that the suitably validated tools and PROCEDURES have been used.

Subclause 14.10 – VERIFICATION

ISO 14971 requires VERIFICATION of RISK CONTROL measures. There are additional requirements for PEMS. These are that:

- the ESSENTIAL PERFORMANCE is verified; and
- there is a VERIFICATION plan.

ESSENTIAL PERFORMANCE is significant for PEMS because the PEMS uses a PESS to control its functions. ESSENTIAL PERFORMANCE will often depend on the PEMS functions being carried out correctly.

A VERIFICATION plan leaves it up to the MANUFACTURER how to achieve the requirements of this clause. This is a better and more flexible approach than specifying how to verify a PEMS in this clause. The MANUFACTURER is responsible for planning the VERIFICATION so that it is adequately thorough and then to implement the plan.

The requirement lists activities that affect the thoroughness of the VERIFICATION and which need to be planned.

Subclause 14.11 – PEMS VALIDATION

The final phase of any PEMS DEVELOPMENT LIFE-CYCLE model is PEMS VALIDATION. PEMS VALIDATION is intended to assure that the right product is built. Validation is important for PEMS because unexpected interactions between functions might occur that can only be discovered by validation.

PEMS VALIDATION can include tests for a high volume of data, heavy loads or stresses, human factors, security, performance, configuration compatibility, fault testing, documentation and safety.

Independence is needed to avoid conflicts of interest and because the assumptions of the designer should not influence or limit the extent of the PEMS VALIDATION. Examples of level of independence include:

- separate person;
- separate management;
- separate organization.

Subclause 14.12 – Modification

Typically the design of a PEMS is not completely new but is partly or even largely derived from earlier design(s). Nevertheless, it might be possible to treat the design as if it were completely new and to establish the RISK MANAGEMENT report and demonstrate compliance with the requirements of this standard without reference to previous documentation. If however the RISK MANAGEMENT report does need to include some information from the documentation of the previous design(s), it is then necessary to confirm that all such information remains valid despite the changes introduced in the new design.

Subclause 14.13 – Connection of a PEMS by NETWORK/DATA COUPLING to other equipment

Many hospitals are operating ME EQUIPMENT in a networked environment today. Originally, these networks were installed to optimize business economic and technical area. For this, a fast electronic data interchange is required. Today, these networks are used for medical applications within the hospital, between hospitals, and from home.

Initially, the use was only the exchange of laboratory data. Now there are large amounts of data transported over the networks, such as medical image data. There are further requests from the user to get “real time” solutions (e.g. control of operation robots via network).

Additional guidance on NETWORK/DATA COUPLING is found in Annex H.

Subclause 15.1– Arrangements of controls and indicators of ME EQUIPMENT

Controls, instruments, indicating lamps, etc. that are associated with a specific function of the ME EQUIPMENT should be grouped together.

Subclause 15.2 – Serviceability

The exchange of such parts is expected to be easy to perform, preferably without special TOOLS. In addition, the disassembly of the worn out part or of the part exchanged preventively and the assembly of the spare one should not create a HAZARD. To ensure this, the instructions for performing such activities have to be easy to understand and to follow, without introducing any RISK of mix-up.

Subclause 15.3.2 – Push test

ENCLOSURES need to have adequate rigidity if they are to maintain a level of protection from internal live parts. This requirement is harmonized with the force test of IEC 60950-1. The force is dependent on the person handling the ME EQUIPMENT, not the weight of the ME EQUIPMENT. In most cases, the application of a force of 250 N is considered reasonably foreseeable. However there can be cases where a RISK ASSESSMENT finds that the 45 N force applied over an area of 625 mm², as required by the second edition of this standard, would continue to be an acceptable VERIFICATION method for determining an acceptable level of RISK. For example, ultrasound transducers and similar small HAND-HELD APPLIED PARTS, which balance the needs of robustness with other needs relating to efficacy and biocompatibility, have established track RECORDS of safety and effectiveness over many years, and therefore could continue to use the older VERIFICATION test.

Internal components are not subjected to the force test of IEC 60950-1 because their robustness is verified per the tests of 15.3.4 and 15.3.5.

Subclause 15.3.3 – Impact test

An ENCLOSURE'S resistance to impact is required to prevent unacceptable RISK during reasonably foreseeable misuse. The energy of the test impact approximates ME EQUIPMENT being accidentally struck by an object in the hand of a passer-by or by a broomstick or mop handle during cleaning of the floor. The test equipment has been simplified and harmonized with other standards containing ENCLOSURE impact requirements, including IEC 60950-1.

Where a MANUFACTURER feels the requirements of this subclause are not necessary to mitigate an unacceptable RISK, justification is documented in the RISK MANAGEMENT FILE per 4.5, along with an identification of alternate requirements met. For example, FIXED ME EQUIPMENT can have one side of the ENCLOSURE protected by the floor, wall or ceiling. The MANUFACTURER documents the evaluation of the probability that the ME EQUIPMENT could be moved or installed incorrectly. The MANUFACTURER also evaluates and identifies, through the RISK MANAGEMENT PROCESS, what resistance to impact the protected side of the ENCLOSURE needs to have to ensure no unacceptable RISKS are generated by failure to comply with the original requirements of this subclause.

Subclause 15.3.4 – Drop test

The tests for HAND-HELD ME EQUIPMENT or its parts that are hand held are different from the test for PORTABLE and MOBILE ME EQUIPMENT because of the difference in practical application.

A drop surface of wood of density > 600 kg/m³ allows selection of most common hardwoods. Oak, beech, birch, ash and maple are acceptable. These varieties have similar hardness while hardwoods of density < 600 kg/m³ (e.g. mahogany, elm, sweet gum, cherry) and softwoods have greatly decreased hardness in comparison.

Subclause 15.3.4.2 – PORTABLE ME EQUIPMENT

This test represents NORMAL USE, as explained in the rationale for 15.3.5. This test is not intended to represent reasonably foreseeable misuse. There is not currently a test that directly addresses free fall type reasonably foreseeable misuse, however it is felt the ball impact test in 15.3.3 represents foreseeable misuse, albeit indirectly. As stated in 4.2, if the RISK MANAGEMENT PROCESS concludes that a more severe test is appropriate, this should be done.

Subclause 15.3.5 – Rough handling test

Contrary to what is often assumed, ME EQUIPMENT can be used in a hostile environment. In case of emergency, ME EQUIPMENT is carried or wheeled on trolleys over doorsteps and into elevators and subjected to bumps and vibration. Such conditions can in fact typify NORMAL USE for some ME EQUIPMENT. Encountering obstacles is considered commonplace and quite reasonably foreseeable misuse. Not all obstacles are clearly marked and the OPERATOR cannot always stop the ME EQUIPMENT in time after having become aware of the obstacle

The test requirements of 15.3.5 are meant to judge resistance to rough handling, and not stability. Stability test requirements for MOBILE ME EQUIPMENT are in 9.4.

The meaning of “in its normal direction of travel” is the direction(s) the ME EQUIPMENT is likely to travel at the maximum normal speed. For most cases, this would be the forward direction. Some ME EQUIPMENT, such as a bed, is likely to travel in a forward or backward direction, at normal speed, and therefore each test should be considered for each direction.

Subclause 15.3.6 – Mould stress relief test

Many thermoforming PROCESSES can leave residual stresses in plastics. Because polymer chains are held together by weak van der Waals bonds, these residual stresses can result in viscous flow (deformation). Elevated temperature results in weakening of van der Waals bonds and an increase in the rate of viscous flow. Thermoplastics with low melting temperatures, such as polyethylene and polypropylene, are more susceptible to stress relief deformation than polymers with higher melting temperatures, such as polycarbonate and polyetheramide.

Compliance should be verified by analysis of the polymer properties, when possible. This VERIFICATION should consist of a documented comparison of the maximum temperature the polymer will be exposed to in NORMAL USE and the polymer manufacturer’s recommended temperature use range.

Subclause 15.3.7 – Environmental influences

a) ME EQUIPMENT is often used or stored in environmental conditions that are within the INTENDED USE as declared by the MANUFACTURER. In such cases no HAZARD is expected. However the environmental conditions could differ from those declared and still the ME EQUIPMENT is expected to remain safe. To ensure this, the RESPONSIBLE ORGANISATION has to perform the periodic inspection and maintenance prescribed by the MANUFACTURER. These activities are expected to prevent any deterioration of the safety level and also detect signs of commencing of any such deterioration. To ensure this, the instructions for preventive maintenance have to be easy to understand and to follow, without introducing any RISK for mix-ups or for overlooking of safety-relevant symptoms.

- b) The exchange of such parts is expected to be easy to perform, preferably without special TOOLS. In addition, the disassembly of the worn out part or of the part exchanged preventively and the assembly of the spare one should not create a HAZARD. To ensure this, the instructions for performing such activities have to be easy to understand and to follow, without introducing any RISK of mix-up.

Subclause 15.4.3 – Batteries

If a HAZARDOUS SITUATION might develop as a result of exhaustion of the battery, means should be provided to forewarn of this condition.

Where appropriate, particular standards should specify the corresponding requirement.

Subclause 15.4.4 – Indicators

It is important for an OPERATOR and SERVICE PERSONNEL to be able to determine the functional status of ME EQUIPMENT. In NORMAL USE, the OPERATOR needs to be able to distinguish between ME EQUIPMENT in stand-by and ME EQUIPMENT in a fully functional state. Some ME EQUIPMENT has an extended warm-up period. Other ME EQUIPMENT has standby or battery charging modes.

It can be hazardous for ME EQUIPMENT to be left unattended in the wrong state. SERVICE PERSONNEL need to be able to determine when ME EQUIPMENT is energized to avoid HAZARDS.

Subclause 15.4.7.3 – Entry of liquids

The former IPX8 rating requirement for foot switches amounts to no more than “greater protection than IPX7.” By making this requirement IPX6 minimum, the requirement sets a defined level of protection while allowing higher levels where appropriate.

For equipment used on the floor in areas where liquids are usually not found, the IPX1 requirement is included because it is considered extremely likely that some wetting will occur.

Subclause 15.5 – MAINS SUPPLY TRANSFORMERS of ME EQUIPMENT and transformers providing separation in accordance with 8.5

The addition of “and transformers providing separation in accordance with 8.5” to the original title that only identified “Mains transformers” is intentional. The tests for transformers should be utilized any time that the transformer is used to establish separation between OPERATORS, PATIENTS, etc. and a HAZARD.

Revisions to 15.5 do not change significantly current methods (including those of the second edition of this standard) of testing. The methods and requirements were simplified and now include all different types of protectors like: PTCs, feedback control (switch mode power supplies), primary or secondary over-current devices, etc. Those transformers that have not been tested in accordance with the 5X frequency and 5X voltage tests of 15.5.2 to establish the adequacy of insulation between the turns of a winding that are shorted at the terminals (rather than external to the transformer) to assure that failure of that insulation will not cause maximum allowable temperatures to be exceeded.

Because of the difficulties that would be encountered when trying to test transformers that are RATED for high frequencies (such as those used in switch mode power supplies), the 2X frequency and voltage tests are specified in those cases as well. The second edition only applied this test where the voltage exceeded 500 V.

Subclause 15.5.1.1 – Transformers

Output windings are required to be “tested in turn” because under overload conditions, testing all windings simultaneously can cause over temperature devices to operate which would not operate if only one winding was being overloaded. A single output winding being overloaded is actually quite likely. Therefore this combination of conditions is considered the likely worst case scenario.

The intent of the requirement is to test under the worst-case condition (nearly always with either a full load or no-load). Such a worst case can be determined through evaluation of the transformer design or by performing a few spot tests. Generally, testing all possible conditions to determine worst case is unnecessary.

The limits of Table 31 are applied at a 25 °C ambient because of the impracticality of performing the overload and short tests inside of a thermal chamber.

Subclause 15.5.2 – Dielectric strength

It is necessary to raise the frequency of the test voltage in proportion to the voltage to prevent saturation of the magnetic core and consequent very high current.

The electrical insulation between the primary winding and other windings, screens and the core of a MAINS SUPPLY TRANSFORMER is presumed to have been investigated by the dielectric strength tests performed on the assembled ME EQUIPMENT as described in 8.8.3. The dielectric strength tests of 8.8.3 need not be repeated.

Subclause 15.5.3 – Construction of transformers used to provide separation as required by 8.5

The requirements specified in IEC 61558-1, Subclause 5.12 are generally similar to those in the second edition of this standard but transformers complying with them are likely to be more readily available.

Additionally, Annex U of IEC 60950-1:2001 includes requirements relating to the use of triple-insulated winding wire in transformers instead of a separate layer of insulation between windings (as would be traditionally be provided by bobbins for example). Transformers which use this method of separation between windings and which comply with all other requirements of this standard should generally be considered to provide an adequate level of BASIC SAFETY.

Clause 16 – ME SYSTEMS

Increasingly, ME EQUIPMENT is being combined with other pieces of equipment that might not have originally been intended for medical application to create systems where one or more of the elements of the system come into contact with the PATIENT. Clause 16 provides requirements to ensure the safety of the PATIENT who could come into contact with ME SYSTEMS.

Clause 16 on ME SYSTEMS is intended to be used by MANUFACTURERS of combinations of electrical equipment that include one or more items of ME EQUIPMENT. The equipment can be separate items or can be in a single ENCLOSURE or a combination of these cases.

Clause 16 is also intended to be used by personnel from institutions for medical practice who assemble or adapt ME SYSTEMS, as they can become the MANUFACTURER by that action. In this case, engineering expertise in the application of the electrical equipment design standards is required to ensure that the ME SYSTEM complies with all requirements of Clause 16.

More and more, such ME SYSTEMS comprise equipment originally manufactured for use in different specific application fields, not necessarily medical, that are connected with each other in a direct or indirect way. ME EQUIPMENT complying with this standard can be connected with other, non-ME EQUIPMENT. The latter equipment might fully meet the requirements in the safety standards applicable in their specific application field. However, they do not always comply with the safety requirements for ME EQUIPMENT and, thereby, influence the safety of the whole ME SYSTEM. It is for this reason that the MANUFACTURER is required to apply RISK MANAGEMENT to the whole ME SYSTEM. One example of an additional HAZARD is the ignition of fire when an ME SYSTEM containing non-ME EQUIPMENT is used in an OXYGEN RICH ENVIRONMENT, possibly accidentally.

The electrical equipment can be situated either in a medically used room that is intended for diagnosis, treatment or monitoring of PATIENTS, or in a non-medically used room where no medical practice is performed. Within a medically used room, electrical equipment might be placed inside or outside a volume that is defined as PATIENT ENVIRONMENT.

There are two situations possible in medical practice.

a) Where Clause 16 does not apply

Simultaneously operated ME EQUIPMENT, i.e. different ME EQUIPMENT connected at the same time to a PATIENT but not connected to each other. Such ME EQUIPMENT can influence each other. For example, high-frequency surgical equipment in the operating theatre can influence PATIENT monitoring.

NOTE Assistance can be available from the instructions for use for each ME EQUIPMENT.

b) Where Clause 16 applies

ME SYSTEMS, consisting of ME EQUIPMENT and possibly also non-ME EQUIPMENT, interconnected permanently or temporarily for a certain purpose such as diagnosis or treatment of a PATIENT. Examples: ME SYSTEMS for diagnostic X-ray examination, endoscopes with video camera, PATIENT monitoring, ultrasound equipment with a personal computer, computed tomography or magnetic resonance imaging.

The various parts of such an ME SYSTEM could be situated within the PATIENT ENVIRONMENT or outside it but still within a medically used room, or parts of the ME SYSTEM could be located in a non-medically used room containing, for example, electrical power distribution or data processing equipment.

Subclause 16.1 – General requirements for the ME SYSTEMS

The basic requirement for the safety of ME SYSTEMS is that, after installation or subsequent modification, an ME SYSTEM does not result in an unacceptable RISK. Compliance with the requirements imposed on ME SYSTEMS in this standard will imply that the RESIDUAL RISK is presumed to be acceptable, unless there is OBJECTIVE EVIDENCE to the contrary.

The MANUFACTURER of ME SYSTEMS that can be reconfigured by the OPERATOR or the RESPONSIBLE ORGANIZATION could be challenged to provide information on all possible combinations of the equipment, which could represent an unreasonable burden. RISK MANAGEMENT methods provide a very adequate means of determining which combination of items constitutes the largest RISKS, and which measures need to be taken to provide for the adequate level of safety. Ultimately, compliance testing can be done after assembly of the complete ME SYSTEM.

Appropriate documentation concerning the standards compliance can be a declaration of conformity by the MANUFACTURER or a certificate from a test house.

ME SYSTEMS, by their nature, can be frequently modified; Clause 16 does not apply to the modification of individual items in an ME SYSTEM

Subclause 16.2 – ACCOMPANYING DOCUMENTS of an ME SYSTEM

The documents that accompany an ME SYSTEM intended for DIRECT CARDIAC APPLICATION should provide data on such items as:

- use of rubber gloves;
- use of stop-cocks made of insulating material;
- minimum distances between PATIENT and equipment being part of the ME SYSTEM (PATIENT ENVIRONMENT);
- instructions about how to use the ME EQUIPMENT in the typical medical application, for example, use of a catheter.

For safety reasons, particular attention should be paid to the different levels of RISK when, within the PATIENT ENVIRONMENT, electrodes or other body sensors are used on the PATIENT, externally and internally, including direct connections to the heart.

Possible connections to the heart of a PATIENT should be kept isolated from the equipment.

The warning not to place MULTIPLE SOCKET-OUTLETS on the floor is to prevent the ingress of liquids and to prevent mechanical damage.

Furthermore, measures should be taken to ensure that, when assembling or modifying an ME SYSTEM incorporating MULTIPLE SOCKET-OUTLETS, these are mounted in such a way as to prevent ingress of liquids and to avoid mechanical damage during NORMAL USE and transportation.

Relevant safety standards for non-ME EQUIPMENT could specify or require disclosure of permissible environmental conditions. Accordingly, the environmental conditions permitted for various items in an ME SYSTEM can be different. The permissible environmental conditions for the ME SYSTEM is to be specified so that no HAZARD will arise when operating it within these specified limits.

Subclause 16.3 – Power supply

This requirement is to ensure the safety according to IEC 60601-1 at the ME SYSTEM level.

BASIC SAFETY after assembly is maintained, for example, by one or more of the following measures:

- measures that are built-in within the ME EQUIPMENT, for example, separation of relevant circuits;
- SEPARATION DEVICES provided as ACCESSORIES to the ME EQUIPMENT (see 16.5);
- SEPARATION DEVICES provided as ACCESSORIES to the ME SYSTEM;
- separating transformer;
- additional PROTECTIVE EARTH CONDUCTORS.

Non-ME EQUIPMENT can provide the specified power supply for ME EQUIPMENT in accordance with 5.5 f), 7.9.2.14 and 8.2.1.

Subclause 16.5 – SEPARATION DEVICES

The BASIC SAFETY of some ME EQUIPMENT depends on the precondition that any SIGNAL INPUT/OUTPUT PARTS are connected only to equipment that is specified for this purpose, otherwise LEAKAGE CURRENTS could be increased by unwanted currents flowing through signal cables.

HAZARDOUS SITUATIONS could occur if the SIGNAL INPUT/OUTPUT PART of ME EQUIPMENT is connected to equipment outside the medically used room, possibly in another building and therefore connected to another mains supply branch circuit.

A SEPARATION DEVICE prevents a HAZARD to the PATIENT or OPERATOR. Additionally, the inclusion of the SEPARATION DEVICE helps to avoid HAZARDS through malfunction of equipment caused by unwanted currents flowing through cables.

The need for a SEPARATION DEVICE depends on the configuration of the ME SYSTEM.

Subclause 16.6 – LEAKAGE CURRENTS

Relevant standards for some non-ME EQUIPMENT can have limits for TOUCH CURRENTS that are higher than required by Clause 16; these higher limits are acceptable only outside the PATIENT ENVIRONMENT. It is essential to reduce TOUCH CURRENTS when non-ME EQUIPMENT is to be used within the PATIENT ENVIRONMENT. LEAKAGE CURRENT reduction measures can include:

- additional PROTECTIVELY EARTHED parts;
- a separating transformer;
- an additional non-conductive ENCLOSURE.

Interconnecting cables and their connector housings are parts of the ENCLOSURE and therefore the LEAKAGE CURRENT limits within the PATIENT ENVIRONMENT, as required in 16.6.1, are applicable.

If a MULTIPLE SOCKET-OUTLET without a separating transformer is used, the interruption of its protective earthing could result in TOUCH CURRENTS equal to the sum of the individual EARTH LEAKAGE CURRENTS.

Subclause 16.6.3 – PATIENT LEAKAGE CURRENT

For ME EQUIPMENT, the maximum allowed values for PATIENT LEAKAGE CURRENT and total PATIENT LEAKAGE CURRENT (applicable with several APPLIED PARTS connected to the ME EQUIPMENT) are given in Table 3 and Table 4; see also 8.7.3. An ME SYSTEM is to provide the equivalent level of safety as provided by ME EQUIPMENT within the PATIENT ENVIRONMENT (see 16.1). Therefore, the same maximum values for PATIENT LEAKAGE CURRENT and total PATIENT LEAKAGE CURRENT apply, regardless whether the APPLIED PARTS are connected to the same element of the ME SYSTEM or not. This holds for the operation of the ME SYSTEM in NORMAL CONDITION, as the single fault concept is not applicable to an ME SYSTEM.

It should be noted that combinations of equipment or of APPLIED PARTS, made by the RESPONSIBLE ORGANIZATION or OPERATOR, that are outside the range of combinations indicated by the MANUFACTURER, could lead to HAZARDOUS SITUATIONS. This warning holds in particular when combinations of equipment are used for medical purposes on the same PATIENT, which have not been intended by their MANUFACTURER(S) to be used in such combinations.

Subclause 16.7 – Protection against MECHANICAL HAZARDS

Attention should be paid to the effects of interruptions causing unplanned movements, removal of compression forces, and the safe removal of PATIENTS from the PATIENT ENVIRONMENT when a HAZARDOUS SITUATION occurs.

Subclause 16.9.2.1 – MULTIPLE SOCKET-OUTLET

The second edition of this standard used the defined term “auxiliary mains socket-outlet (AMSO)” to describe a socket-outlet intended for provision of mains supply to other ME EQUIPMENT or to other separate parts of the ME EQUIPMENT. The systems collateral standard, IEC 60601-1-1 [13], defined a term “multiple portable socket-outlet (MPSO)”. The two terms have been combined into a new term, “MULTIPLE SOCKET-OUTLET (MSO).” Subclause 57.2 e) of the second edition required that an AMSO be designed so that it could not accept a MAINS PLUG. An exception for EMERGENCY TROLLEYS was allowed. With the combination of the two definitions and the change to 8.11.2 to require any MSO on ME EQUIPMENT to comply with 16.9.2.1, the need for rapid exchange in an emergency situation is reconciled with the need to restrict LEAKAGE CURRENT.

Reassignment of the MAINS CONNECTION for the ME SYSTEM is a dangerous practice and beyond the scope of this clause. See 16.2 for disclosure requirements.

Excessive TOUCH CURRENTS can occur unless casual access for additional equipment connections is impeded or prevented.

Subclause 16.9.2.1 c), 3rd dash

ME EQUIPMENT with a non-DETACHABLE POWER SUPPLY CORD has an impedance between the protective earth pin in the MAINS PLUG and any part that is PROTECTIVELY EARTHED that does not exceed 200 mΩ. Similarly, the MULTIPLE SOCKET-OUTLET has an impedance that does not exceed 200 mΩ between its MAINS PLUG and its socket-outlets. This results in an impedance that does not exceed 400 mΩ between the MULTIPLE SOCKET-OUTLET MAINS PLUG and any part of ME EQUIPMENT that is PROTECTIVELY EARTHED.

The impedance of PROTECTIVE EARTH CONNECTIONS is allowed to exceed 200 mΩ when the relevant circuits have limited current capability (see 8.6.4 b)). In such cases in ME EQUIPMENT, this results in an impedance between the protective earth pin in the MAINS PLUG and any part that is PROTECTIVELY EARTHED that exceeds 400 mΩ.

Subclause 16.9.2.1 d)

The TOUCH CURRENT of the ME SYSTEM must be less than 500 μA in SINGLE FAULT CONDITION. A separating transformer can be used as a measure to reduce that TOUCH CURRENT. Therefore a separating transformer with BASIC INSULATION is sufficient. The DOUBLE or REINFORCED INSULATION as required for isolating transformers is not needed.

The CLASS I requirement for the transformer assembly is necessary to provide connected equipment with a PROTECTIVE EARTH CONNECTION.

Isolation monitoring of the separating transformer is not necessary. SINGLE FAULT CONDITION can be detected during routine maintenance and the occurrence of two independent SINGLE FAULT CONDITIONS is of no concern. The transformer construction can be of a type with or without a PROTECTIVELY EARTHED centre tapped secondary winding.

Subclause 16.9.2.2 – PROTECTIVE EARTH CONNECTIONS in ME SYSTEMS

All PROTECTIVE EARTH CONDUCTORS and POWER SUPPLY CORDS should be routed together.

Within the PATIENT ENVIRONMENT it is important to limit potential differences between different parts of an ME SYSTEM, and an adequate connection with a protective earthing system plays an important role in limiting that potential difference. It is therefore important to prevent interruption of that protective means to any part of the ME SYSTEM.

- The additional protective earthing could be used when the TOUCH CURRENT in SINGLE FAULT CONDITION exceeds the allowable limits.
- The additional protective earthing is not necessary for ME EQUIPMENT complying with this standard. However, in the case of non-ME EQUIPMENT this will prevent TOUCH CURRENTS exceeding allowable limits.
- The use of a TOOL is not required to disconnect the MAINS PLUG because the MAINS PLUG will disconnect both the mains and the protective earth.

Clause 17 – Electromagnetic compatibility of ME EQUIPMENT and ME SYSTEMS

IEC 60601-1-2 specifies electromagnetic immunity test levels to minimize the effect of the electromagnetic environment on the ME EQUIPMENT and ME SYSTEMS covered by this standard. It specifies electromagnetic emissions limits to minimize the effect on other equipment of electromagnetic disturbances that could be emitted, intentionally or unintentionally, by ME EQUIPMENT and ME SYSTEMS. It also specifies requirements for identification, marking and documents so that the MANUFACTURER of the ME EQUIPMENT or ME SYSTEM provides information to the RESPONSIBLE ORGANIZATION that is essential in determining the suitability of the ME EQUIPMENT or ME SYSTEM for the electromagnetic environment of use, and in managing the electromagnetic environment of use to permit the ME EQUIPMENT or ME SYSTEM to maintain BASIC SAFETY and provide its ESSENTIAL PERFORMANCE without disturbing other equipment.

Electromagnetic emission requirements are necessary for the protection of:

- safety services (e.g. police, fire and ambulance communications);
- other ME EQUIPMENT and ME SYSTEMS;
- non-ME EQUIPMENT (e.g. computers);
- telecommunications (e.g. radio/TV, telephone, radio-navigation).

More importantly, electromagnetic immunity requirements are necessary to assure that ME EQUIPMENT and ME SYSTEMS maintain BASIC SAFETY and continue to provide their ESSENTIAL PERFORMANCE in the presence of the electromagnetic disturbances to which they can be expected to be exposed during NORMAL USE.

Annex G – Protection against HAZARDS of ignition of flammable anaesthetic mixtures (see also the rationale for 11.4)

Section six of the second edition of this standard has been moved to a normative annex. This was done in recognition of the fact that flammable anaesthetics are rarely used and their use is expected to cease entirely within a short period. However, it is also recognized that the practice of medicine changes frequently and that even now some MANUFACTURERS might still want to offer ME EQUIPMENT for such applications. In order to assure that the material contained in Section six along with the associated CATEGORY AP and CATEGORY APG RATINGS remain available while improving the readability of the standard for most users, the material has been moved to Annex G.

Subclause G.1.3 – Requirements for ME EQUIPMENT

The most devastating accidents with flammable anaesthetic agents occur when the mixture of the agent with oxygen normally used is that which will cause the most rapid combustion, a state that sometimes is described as “detonation optimum.” The worst example of such an agent is cyclopropane, while the oxygen/ether mixture normally used is far below that point.

Subclause G.5.3 – Low-energy circuits

The graphs of Figure G.1, Figure G.2 and Figure G.3 are given to assist in the design of circuits that fulfil the requirements for allowable limits stated for CATEGORY AP ME EQUIPMENT without performing the ignition test.

Extrapolation for higher voltages is not valid because the ignition condition of gases changes at higher voltages. The limit for inductances is introduced because high inductance values generally produce higher voltages.

Subclause G.5.4 – External ventilation with internal overpressure

The amount of air or inert gas escaping from the ME EQUIPMENT by leakage is assumed to be limited so that hygienic conditions in the medically used room are not disturbed appreciably.

For the purposes of G.5.4 and G.5.5 the term “enclosure” can represent either the ENCLOSURE as defined in 3.26 or a distinct compartment or housing.

Subclause G.5.5 – ENCLOSURES with restricted breathing

Subclause G.5.5 a)

This requirement is regarded as sufficient to prevent ignition in NORMAL USE during an operational period of several hours since average conditions in NORMAL USE are less stringent.

Subclause G.6.2 – Power supply

This requirement prevents the introduction of voltages higher than those permitted by G.6.3. Such voltages can exist on earth wiring.

Subclause G.6.3 – Temperatures and low-energy circuits

The graphs of Figure G.4, Figure G.5 and Figure G.6 are given to assist in the design of circuits that fulfil the requirements for allowable limits stated for CATEGORY APG ME EQUIPMENT, without performing the ignition test.

Annex B (informative)

Sequence of testing

B.1 General

Tests should, if applicable, be performed in the sequence indicated below, unless otherwise stated by particular standards. See also 5.8.

However, this does not preclude the possibility of conducting a test that preliminary inspection suggests might cause failure.

The tests for radiation HAZARDS in Clause 10, biocompatibility in 11.7, USABILITY in 12.2, alarm systems in 12.3, PEMS in Clause 14 and electromagnetic compatibility in Clause 17 can be performed independently from the tests in the following sequence.

The tests specified for ME SYSTEMS in Clause 16 should be performed in the same sequence as the tests for ME EQUIPMENT.

B.2 RISK MANAGEMENT PROCESS for ME EQUIPMENT or ME SYSTEMS and ESSENTIAL PERFORMANCE

See 4.2 and 4.3.

B.3 General requirements

See 4.1, 4.5 to 4.10 (inclusive) and 5.1 to 5.7(inclusive).

B.4 Classification of ME EQUIPMENT and ME SYSTEMS

See Clause 6.

B.5 Determination of APPLIED PARTS and ACCESSIBLE PARTS

See 5.9.

B.6 ME EQUIPMENT identification, marking and documents

See 7.2 to 7.8.2 (inclusive), Annex C.

B.7 Energy consumption (power input)

See 4.11.

B.8 Limitation of voltage, current or energy

See 8.4.

B.9 Separation of parts

See 8.5.1 to 8.5.4 (inclusive).

B.10 CREEPAGE DISTANCES and AIR CLEARANCES

See 8.9.

B.11 HAZARDS associated with moving parts

See 9.2 except 9.2.2.4.1.

B.12 HAZARD associated with surfaces, corners and edges

See 9.3.

B.13 Serviceability

See 15.2.

B.14 Accuracy of controls and instruments and protection against hazardous outputs

See 12.1 and 12.4.

B.15 Instability HAZARDS

See 9.4.

B.16 Noise, vibration and acoustic energy

See 9.6.

B.17 Interruption of the power supply / SUPPLY MAINS to ME EQUIPMENT

See 11.8.

B.18 Protective earthing, functional earthing and potential equalization of ME EQUIPMENT

See 8.6.

B.19 Excessive temperatures in ME EQUIPMENT

See 11.1.

B.20 LEAKAGE CURRENTS and PATIENT AUXILIARY CURRENTS at operating temperature

See 8.4.2 and 8.7.

B.21 Humidity preconditioning treatment

See 5.7.

B.22 Dielectric strength (COLD CONDITION)

See 8.8.3.

B.23 Defibrillation protection

See 8.5.5.

B.24 Expelled parts HAZARD

See 9.5.

B.25 Pressure vessels and parts subject to pneumatic and hydraulic pressure

See 9.7.

B.26 HAZARDS associated with support systems

See 9.8.

B.27 Mechanical strength

See 15.3 and 9.2.2.4.1.

B.28 HAZARDOUS SITUATIONS and fault conditions

See Clause 13.

B.29 MAINS SUPPLY TRANSFORMERS of ME EQUIPMENT and transformers providing separation in accordance with 8.5

See 15.5.

B.30 ME EQUIPMENT components and general assembly

See 15.4 and 8.10.

B.31 MAINS PARTS, components and layout

See 8.11.

B.32 Insulation other than wire insulation

See 8.8.4.

B.33 Fire prevention and constructional requirements for fire ENCLOSURES of ME EQUIPMENT

See 11.2 and 11.3.

B.34 Overflow, spillage, leakage, ingress of water, cleaning, disinfection, sterilization and compatibility with substances used with the ME EQUIPMENT

See 11.6.

B.35 CATEGORY AP and CATEGORY APG ME EQUIPMENT

See 11.4 and Annex G.

B.36 VERIFICATION of markings

See 7.2 to 7.8.2 (inclusive), Annex C and 7.1.

Annex C (informative)

Guide to marking and labelling requirements for ME EQUIPMENT and ME SYSTEMS

C.1 Marking on the outside of ME EQUIPMENT, ME SYSTEMS or their parts

The requirements for marking on the outside of ME EQUIPMENT and its parts are found in 7.2. Additional requirements for marking on the outside of ME EQUIPMENT, ME SYSTEMS and their parts are found in the subclauses listed in Table C.1. Symbols and safety signs used in marking on the outside of ME EQUIPMENT are found in Annex D.

Table C.1– Marking on the outside of ME EQUIPMENT, ME SYSTEMS or their parts ²⁰⁾

Description of marking	Subclause
CATEGORY APG ME EQUIPMENT: marking of	G.3.1
CATEGORY AP ME EQUIPMENT: marking of	G.3.2
CATEGORY AP and APG: marking of major parts	G.3.3
CATEGORY AP and APG ME EQUIPMENT: marking of parts	G.3.5
Depressurizing pressure system elements: warning about	9.7.2
Emergency stop device actuator: marking of	9.2.4
Hazardous voltage: warning of	8.11.1 i)
Mass of PATIENT, if designed for less than 135 kg: marking of	9.8.3.1
Moving parts: warning of	9.2.1
MULTIPLE SOCKET-OUTLET: marking of	16.9.2.1 b)
Overbalancing during transport: warning about	9.4.2.2
POTENTIAL EQUALIZATION CONDUCTOR terminal: marking of	8.6.7
Prohibition against pushing, leaning, resting: warning of	9.4.2.3
Reservoir or liquid storage chamber: marking of overflow HAZARD	11.6.2
MECHANICAL PROTECTIVE DEVICE intended to function only once: marking of	9.8.4.3
Separating transformer assembly: marking of	16.9.2.1 d)
Surfaces where application of force results in a RISK of overbalancing: marking of	9.4.2.3
Transport conditions: warning for	9.4.2.2

²⁰⁾ See 7.2.1 for the minimum requirements for marking on ME EQUIPMENT and on interchangeable parts.

C.2 Marking on the inside of ME EQUIPMENT, ME SYSTEMS or their parts

The requirements for marking on the inside of ME EQUIPMENT and its parts are found in 7.3. Additional requirements for marking on the inside of ME EQUIPMENT, ME SYSTEMS and their parts are found in the subclauses listed in Table C.2. Symbols used in marking on the inside of ME EQUIPMENT are found in Annex D.

Table C.2 – Marking on the inside of ME EQUIPMENT, ME SYSTEMS or their parts

Description of marking	Subclause
Hazardous energies: marking of capacitors or the connected circuit parts	8.4.4
Hazardous voltage: marking of parts	8.11.1 i)
MAINS TERMINAL DEVICES: marking of terminals other than terminal blocks	8.11.4.1
Separating transformer assembly: marking of	16.9.2.1 d)

C.3 Marking of controls and instruments

The requirements for marking of controls and instruments are found in 7.4. Additional requirements for marking of controls and instruments are found in the subclauses listed in Table C.3.

Table C.3 – Marking of controls and instruments

Description of marking	Subclause
Controls: scale marking of	15.4.6.1 b)
Varying the temperature setting of THERMOSTATS: clear indication of	15.4.2.2 a)

C.4 ACCOMPANYING DOCUMENTS, general

The requirements for general information to be included in the ACCOMPANYING DOCUMENTS are found in 7.9.1. Additional requirements for general information to be included in the ACCOMPANYING DOCUMENTS are found in the subclauses listed in Table C.4.

Table C.4 – ACCOMPANYING DOCUMENTS, general

Description of requirement	Clause
CATEGORY AP and CATEGORY APG ME EQUIPMENT and parts	G.3.4
Defibrillation voltage, any necessary recovery time	8.5.5.1 b)
Fixing of structures to floor, wall, ceiling, etc.	9.8.1
Instability excluding transport: placement and loading of doors, drawers and shelves	9.4.2.2 e)
Lifting points: indication of	9.4.4 a)
Mass of PATIENT, if support systems designed for less than 135 kg	9.8.3.1
Mass of PATIENT, if support systems designed for more than 135 kg	9.8.3.1
ME SYSTEMS: addition requirements	16.2
ME EQUIPMENT: placement of SAFE WORKING LOAD	9.4.2.4 c)
Noise: protective means	9.6.2 b)
SAFETY DEVICE intended to function only once: instruction to call SERVICE PERSONNEL	9.8.4.3

C.5 ACCOMPANYING DOCUMENTS, Instructions for use

The requirements for information to be included in the instructions for use are found in 7.9.2. Additional requirements for information to be included in the instructions for use are found in the subclauses listed in Table C.5.

Table C.5 – ACCOMPANYING DOCUMENTS, instructions for use

Description of requirement	Subclause
ACCESSIBLE PARTS: instruction not to touch them and the PATIENT simultaneously	8.4.2 c)
ACCESSIBLE PARTS: instructions to the OPERATOR to open ACCESS COVERS	8.4.2 c)
APPLIED PARTS (hot or cold): temperatures and clinical effects of	11.1.2.1
APPLIED PARTS not intended to deliver heat: temperature exceeding 41 °C	11.1.2.2
Cleaning or disinfection PROCESSES: specification of	11.6.6
Foot-operated controls: intended for use in areas where liquids are likely to be found	15.4.7.3 b)
Mass of ACCESSORIES	9.8.3.2
ME SYSTEMS: other equipment intended to provide power to ME EQUIPMENT	16.3
MOBILE ME EQUIPMENT: requirement that more than one person is needed to move	9.4.2.4 a)
Moving parts: warning of	9.2.1
POTENTIAL EQUALIZATION CONDUCTOR terminal: information on the function and use of	8.6.7
Reservoir or liquid storage chamber: information on overflow HAZARD	11.6.2
Transport conditions: warning for	9.4.2.2

C.6 ACCOMPANYING DOCUMENTS, technical description

The requirements for information to be included in the technical description are found in 7.9.3. Additional requirements for information to be included in the technical description are found in the subclauses listed in Table C.6.

Table C.6 – ACCOMPANYING DOCUMENTS, technical description

Description of requirement	Clause
CLASS II ME EQUIPMENT with isolated internal screens: explanation of	8.6.9
External means of isolation: description of	8.11.1 b)
Non-automatic discharging device for internal capacitors: specification of	8.4.4
Network requirements for PEMS intended to be connected to an outside network	14.13

Annex D (informative)

Symbols on marking (see Clause 7)

Symbols are frequently used on ME EQUIPMENT in preference to words with the intention of obviating language differences and permitting easier comprehension of a marking or indication, sometimes in a restricted space. New and improved symbols and safety signs have been introduced since the publication of the second edition of IEC 60601-1 which necessitates changes in the list of approved symbols and safety signs for use on ME EQUIPMENT.

Chief among these changes is the revision of the usage of symbol 24 in Table D.1. This symbol was formally used to indicate a warning as well as an informative marking (e.g. this is where the HIGH VOLTAGE is connected). A new safety sign (3) in Table D.2 has been added to indicate, "Warning: Dangerous Voltage." In this edition of the standard, the safety signs of Table D.2 are required where a warning is intended while the symbols in Table D.1 are used when the intention is solely to inform.

Similarly is the revision of the usage of symbol 10 in Table D.1, which was formerly used to indicate "attention: consult ACCOMPANYING DOCUMENTS". That symbol is now used to indicate caution. A new symbol (11) in Table D.1 has been added to indicate, "follow operating instructions". Additionally, a new safety sign (10) in Table D.2 has been added to mark ME EQUIPMENT where failure to follow operating instructions could place the PATIENT or OPERATOR at RISK.

Consistent use of these symbols and safety signs in all fields of use (e.g., medical, consumer products, and general transportation) will help ME EQUIPMENT OPERATORS to become familiar with their meaning. Conversely, any inconsistent use will lead to confusion and mistakes and jeopardize safety.

IEC 60878 provides a useful compendium of graphical symbols and safety sign used on electrical equipment in medical practice that were compiled from relevant ISO and IEC standards. See also 7.5 and 7.6.

For symbol requirements not met by the symbols in IEC 60878, refer in the first instance to published IEC or ISO symbols, noting that, where necessary, two or more symbols can be grouped together to convey a particular meaning and that, provided the essential communicative characteristics of the basic symbol are maintained, some latitude in graphic design is permissible. The colours of symbols are not specified, except for the background of the AP and APG symbols (see Clause G.3). The colours of safety signs are specified in ISO 3864-1.

In the following tables, the symbol graphic and title are provided for information.

Table D.1 – General symbols

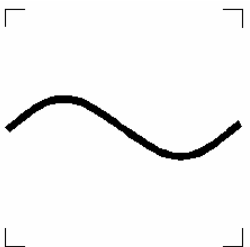
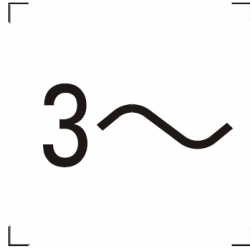

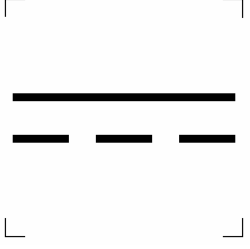
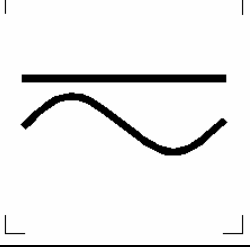
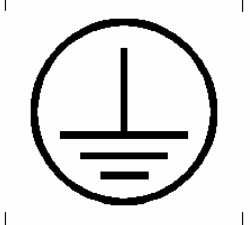
No.	Symbol	Reference	Title
1		IEC 60417-5032	Alternating current
2		IEC 60417-5032-1	Three-phase alternating current
3		IEC 60417-5032-2	Three-phase alternating current with neutral conductor
4		IEC 60417-5031	Direct current
5		IEC 60417-5033	Both direct and alternating current
6		IEC 60417-5019	Protective earth (ground)

Table D.1 (continued)

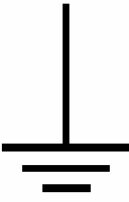

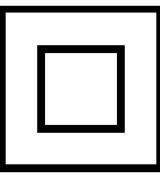

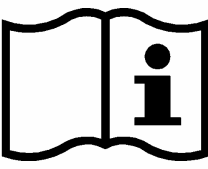

No.	Symbol	Reference	Title
7		IEC 60417-5017	Earth (ground)
8		IEC 60417-5021	Equipotentiality
9		IEC 60417-5172	CLASS II equipment
10		ISO 7000-0434A	Caution In case of application as a safety sign, the rules according to ISO 3864-1 are to be adhered to. See safety sign ISO 7010-W001 (Table D.2, safety sign 2).
11		ISO 7000-1641	Operating instructions
12		IEC 60417-5007	"ON" (power)

Table D.1 (continued)

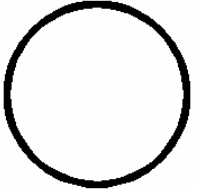
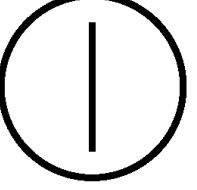
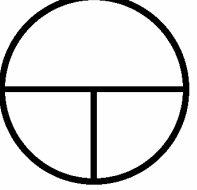
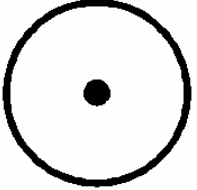
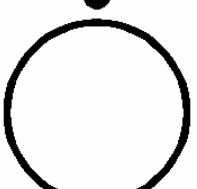

No.	Symbol	Reference	Title
13		IEC 60417-5008	"OFF" (power)
14		IEC 60417-5010	"ON" / "OFF" (push-push) NOTE Each position, "ON" or "OFF", is a stable position.
15		IEC 60417-5011	"ON" / "OFF" (push button) NOTE "OFF" is a stable position, whilst the "ON" position only remains during the time the button is depressed.
16		IEC 60417-5264	"ON" for part of equipment
17		IEC 60417-5265	"OFF" for part of the equipment
18		IEC 60417-5638	Emergency stop

Table D.1 (continued)

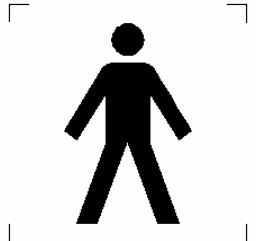
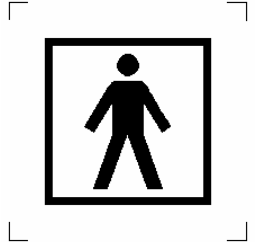
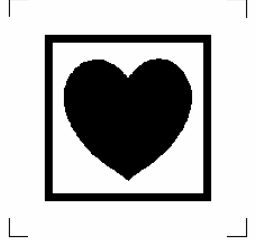
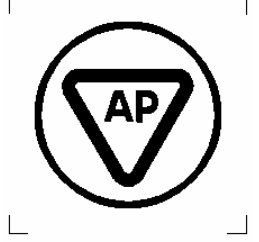
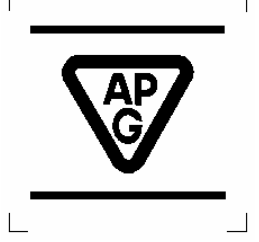
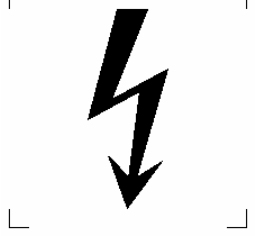
No.	Symbol	Reference	Title
19		IEC 60417-5840	TYPE B APPLIED PART NOTE Subclause 7.2.10 requires that, for clear differentiation with symbol 20, symbol 19 is not to be applied in such a way as to give the impression of being inscribed within a square.
20		IEC 60417-5333	TYPE BF APPLIED PART
21		IEC 60417-5335	TYPE CF APPLIED PART
22		IEC 60417-5331	CATEGORY AP equipment
23		IEC 60417-5332	CATEGORY APG equipment
24		IEC 60417-5036	Dangerous voltage

Table D.1 (continued)

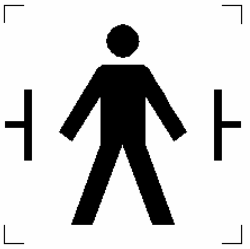
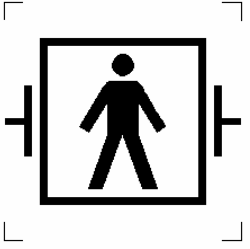
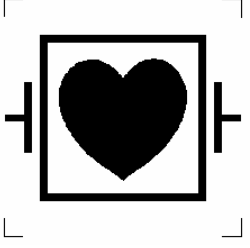
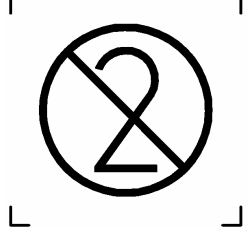
No.	Symbol	Reference	Title
25		IEC 60417-5841	DEFIBRILLATION-PROOF TYPE B APPLIED PART
26		IEC 60417-5334	DEFIBRILLATION-PROOF TYPE BF APPLIED PART
27		IEC 60417-5336	DEFIBRILLATION-PROOF TYPE CF APPLIED PART
28		ISO 7000-1051	Do not reuse

Table D.2 – Safety signs








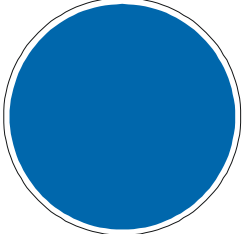


No.	Safety sign	Reference	Title
1		ISO 3864-1, Figure 3	Template for constructing a warning sign NOTE Background colour: yellow Triangular band: Black Symbol or text: Black
2		ISO 7010-W001	General warning sign
3		IEC 60878 ISO 3864-B.3.6 ^a	Warning: dangerous voltage
4		ISO 7010-P001 and ISO 3864-1, Figure 1	General prohibition sign and Template for constructing a prohibition sign NOTE Background colour: white Circular band and slash: red Symbol or text: black
5		ISO 7010-P017	Pushing prohibited
6		ISO 7010-P018	Sitting prohibited

Table D.2 (continued)

No.	Safety sign	Reference	Title
7		ISO 7010-P019	Stepping prohibited
8		ISO 3864-1 Figure 2	Template for constructing a mandatory action sign NOTE Background colour: blue Symbol or text: white
9		ISO 7010-M001	General mandatory action sign
10		IEC 60878 Safety 01 ^b	Follow operating instructions NOTE On ME EQUIPMENT "Follow instructions for use"

^a The description of this commonly used safety sign appeared in Annex B of ISO 3864:1984. When the safety signs were collected in ISO 7010, this sign was not migrated to the new standard. ISO 3864:1984 was superseded by ISO 3864-1 and ISO 7010 in January 2003. It is expected that this safety sign will be added to ISO 7010 in an upcoming amendment.

^b This safety sign is under consideration for standardization in ISO 7010.

Table D.3 – General codes

1	N	IEC 60445	Connection point for the neutral conductor on PERMANENTLY INSTALLED equipment
2	IPN₁N₂	IEC 60529	<p>N₁ = 0 Non-protected 1 Protected against solid foreign objects of 50 mm Ø and greater 2 Protected against solid foreign objects of 12,5 mm Ø and greater 3 Protected against solid foreign objects of 2,5 mm Ø and greater 4 Protected against solid foreign objects of 1,0 mm Ø and greater 5 Dust-protected 6 Dust-tight</p> <p>N₂ = 0 Non-protected 1 Protection against vertically falling water drops 2 Protection against vertically falling water drops when ENCLOSURE tilted up to 15° 3 Protected against spraying water 4 Protected against splashing water 5 Protected against water jets 6 Protected against powerful water jets 7 Protected against the effects of temporary immersion in water 8 Protected against the effects of continuous immersion in water</p> <p>NOTE When a characteristic numeral is not required to be specified, it is replaced by the letter "X" ("XX" if both numerals are omitted).</p>

Annex E
(informative)

Examples of the connection of the measuring device (MD) for measurement of the PATIENT LEAKAGE CURRENT and PATIENT AUXILIARY CURRENT (see 8.7)

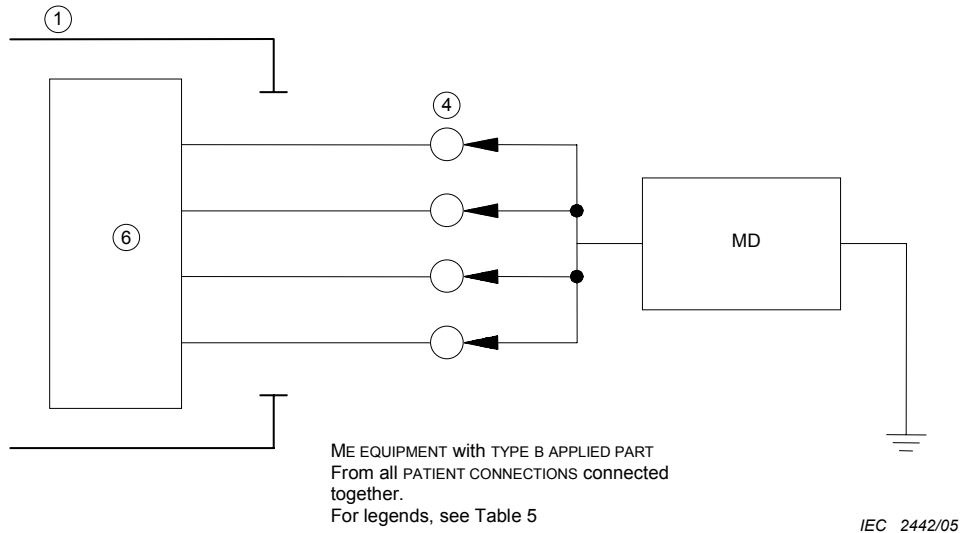


Figure E.1 – TYPE B APPLIED PART

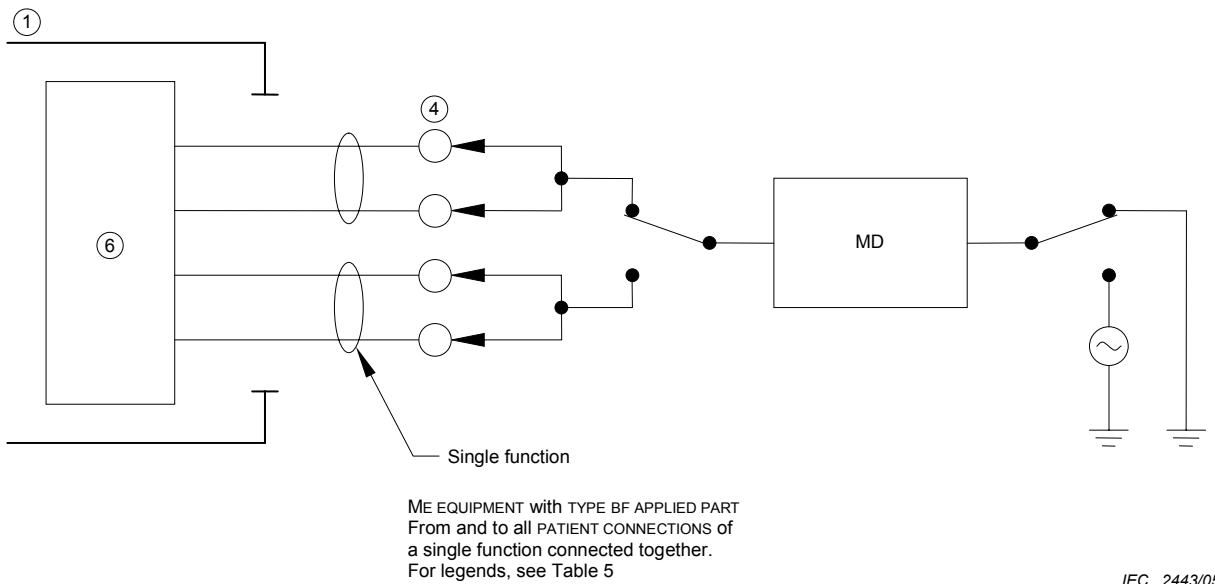


Figure E.2 – TYPE BF APPLIED PART

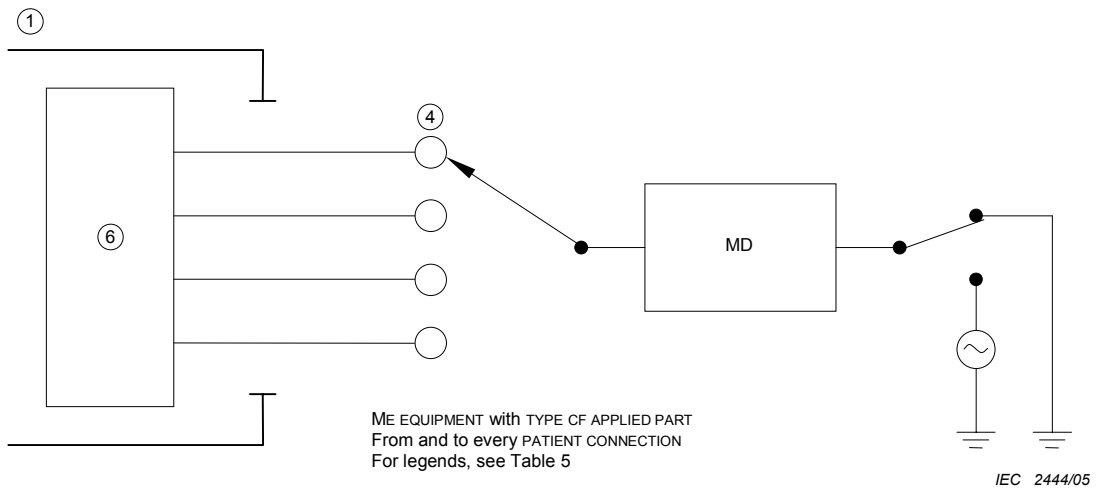


Figure E.3 – TYPE CF APPLIED PART

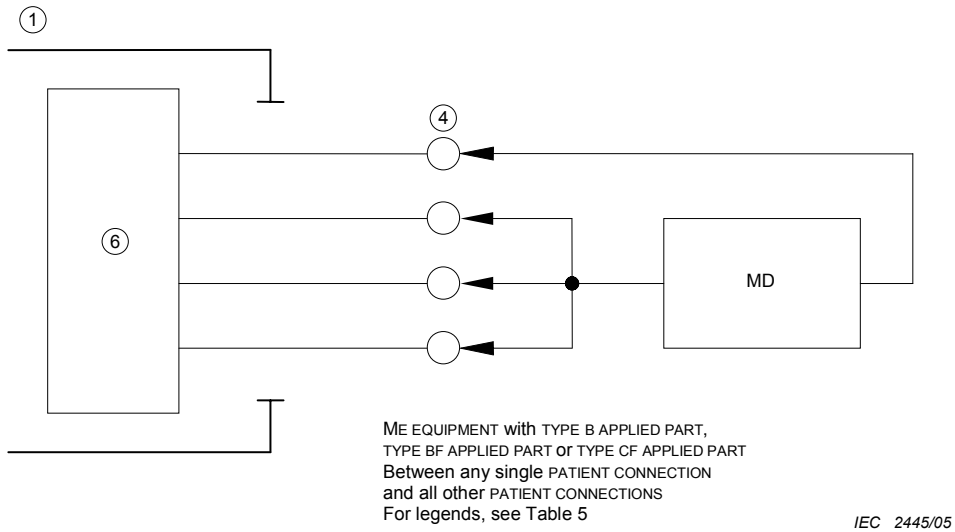


Figure E.4 – PATIENT AUXILIARY CURRENT

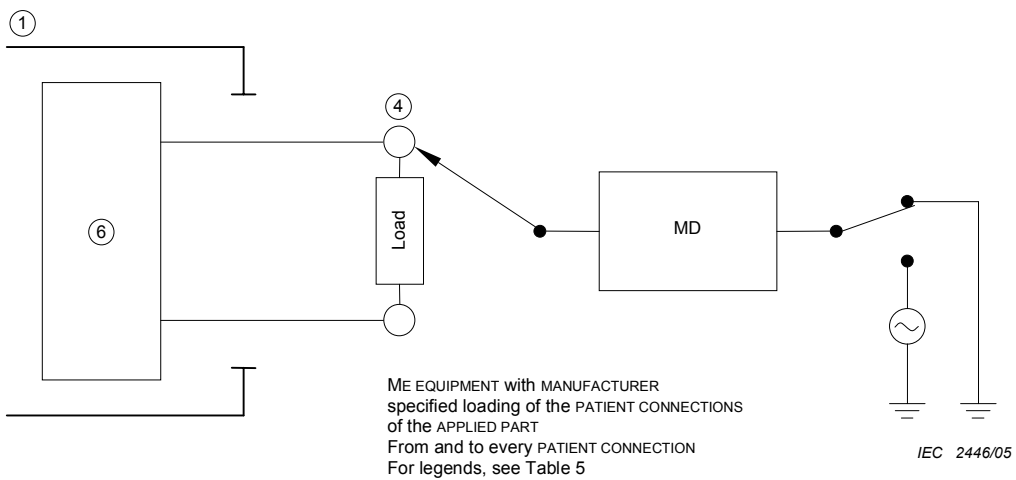
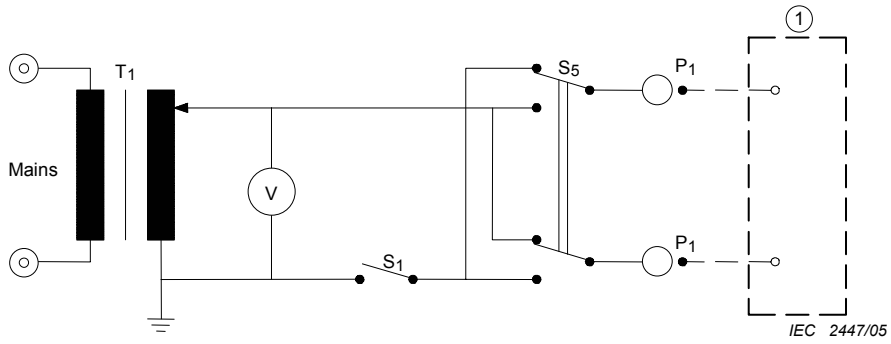


Figure E.5 – Loading of the PATIENT CONNECTIONS if specified by the MANUFACTURER

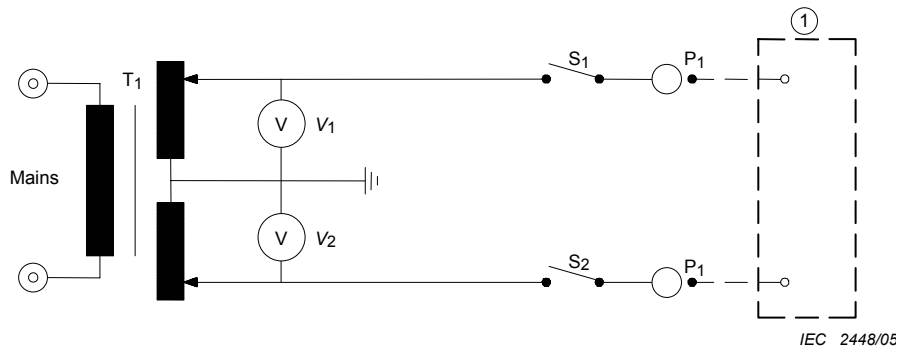
Annex F
(informative)

Suitable measuring supply circuits



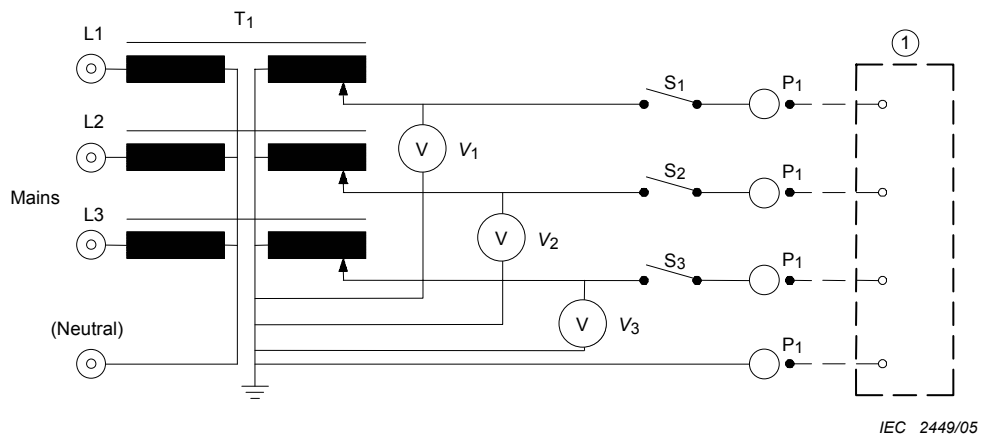
For legends, see Table 5.

Figure F.1 – Measuring supply circuit with one side of the SUPPLY MAINS at approximately earth potential
(see 8.7.4.2)



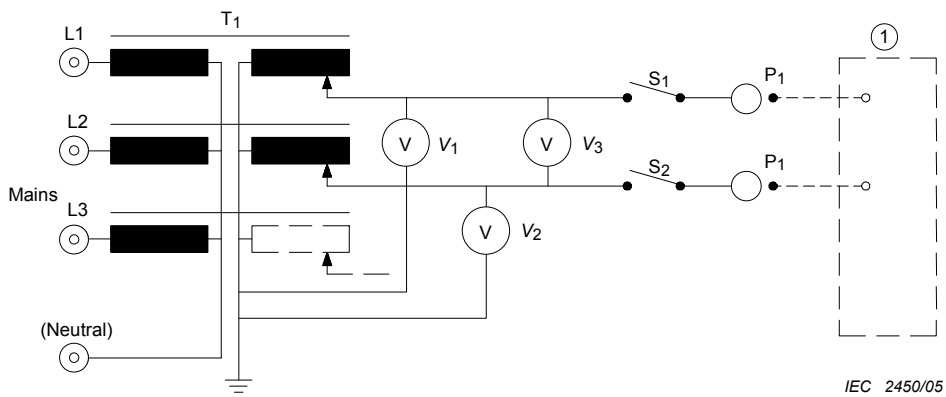
For legends, see Table 5.

Figure F.2 – Measuring supply circuit with SUPPLY MAINS approximately symmetrical to earth potential
(see 8.7.4.2)



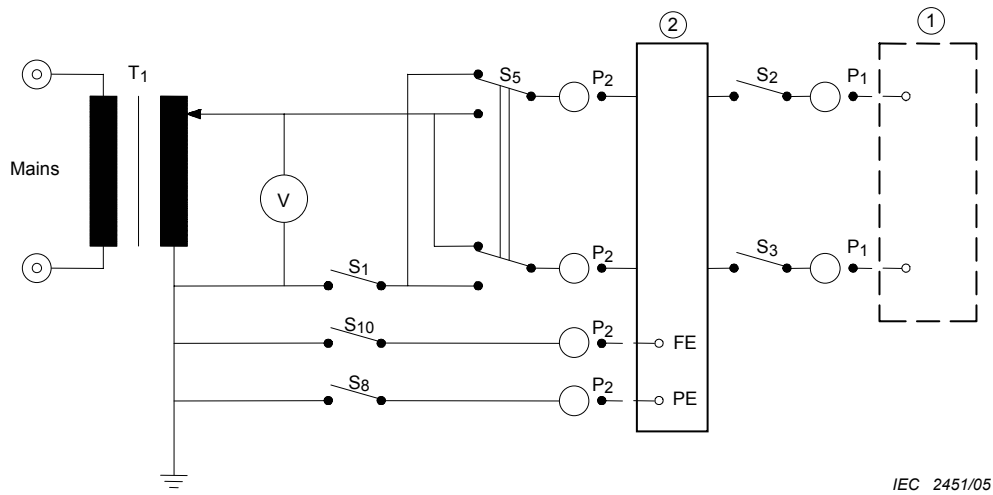
For legends, see Table 5.

Figure F.3 – Measuring supply circuit for polyphase ME EQUIPMENT specified for connection to a polyphase SUPPLY MAINS (see 8.7.4.2)



For legends, see Table 5.

Figure F.4 – Measuring supply circuit for single-phase ME EQUIPMENT specified for connection to a polyphase SUPPLY MAINS (see 8.7.4.2)



For legends, see Table 5.

Figure F.5 – Measuring supply circuit for ME EQUIPMENT having a separate power supply unit or intended to receive its power from another equipment in an ME SYSTEM (see 8.7.4.2)

Annex G (normative)

Protection against HAZARDS of ignition of flammable anaesthetic mixtures

NOTE This annex replaces the former Section Six: "Protection against HAZARDS of ignition of flammable anaesthetic mixtures" of the second edition.

G.1 Introduction

G.1.1 Applicability

Where ME EQUIPMENT is used in areas in which flammable anaesthetics or flammable agents for disinfection or skin cleaning are applied, an explosion RISK can exist if such anaesthetics or agents are mixed with air, or with oxygen or nitrous oxide.

Ignition of such a mixture can be caused by sparks or by contact with parts having a high surface temperature.

Sparks can be caused where electrical circuits are opened or closed by operation of switches, connectors, fuses or OVER-CURRENT RELEASES and the like.

In HIGH VOLTAGE parts, sparks can be caused by corona. Static discharges can cause sparks.

The probability of occurrence of the ignition of such anaesthetic mixtures depends on their concentration, the appropriate minimum ignition energy, the presence of high surface temperatures and the energy of sparking.

G.1.2 Industrial equipment and components

The constructional requirements of IEC 60079-0 are generally not appropriate for ME EQUIPMENT for several reasons:

- a) they lead to constructions of a size, weight or design that are not applicable for medical reasons or that cannot be sterilizable;
- b) some constructions allow an explosion inside an ENCLOSURE, but prevent propagation outside it. Such a construction, which might be inherently safe, would be unacceptable in an operating theatre where continuity of operation of ME EQUIPMENT is essential;
- c) industrial requirements were made for flammable agents mixed with air. They cannot be applied to mixtures with oxygen or nitrous oxide used in medical practice;
- d) in medical practice flammable anaesthetic mixtures occur only in relatively small quantities.

However some of the constructions described in IEC 60079-0 are acceptable for CATEGORY AP ME EQUIPMENT (see G.5.1).

G.1.3 * Requirements for ME EQUIPMENT

In this annex, the location of flammable anaesthetic mixtures is described:

- as much as necessary for the construction of ME EQUIPMENT, as minimum for specified conditions of exhaust and absorption;

- as much as necessary for the allocation of ME EQUIPMENT and the construction of the electrical installation in the IEC 60364 series.

The recommendations, limits and tests of this annex are based on the results of statistical considerations obtained from experiments with the most readily flammable mixtures of ether vapour with air and with oxygen, using the test apparatus described in Clause G.7. This is justified because combinations with ether have the lowest ignition temperatures and the lowest ignition energies of commonly used agents.

Where temperatures or circuit parameters of ME EQUIPMENT used in a FLAMMABLE ANAESTHETIC MIXTURE WITH AIR exceed allowable limits and sparking cannot be avoided the relevant parts and circuits can be enclosed in ENCLOSURES with pressurized inert gas or clean air or in ENCLOSURES with restricted breathing.

ENCLOSURES with restricted breathing delay the build-up of an ignitable concentration. They are recognized because it is assumed that a period in which ME EQUIPMENT is used in a FLAMMABLE ANAESTHETIC MIXTURE WITH AIR is followed by a period of ventilation during which such a concentration will disappear.

For ME EQUIPMENT containing or used in a FLAMMABLE ANAESTHETIC MIXTURE WITH OXYGEN OR NITROUS OXIDE, requirements, limits and tests are far more stringent.

These recommendations apply not only to NORMAL CONDITION but, additionally, in the SINGLE FAULT CONDITION, as indicated in 4.7. Only two exemptions from an actual ignition test are recognized, these being either the absence of sparks and limited temperature or limited temperature and restricted circuit parameters.

G.2 Locations and basic requirements

G.2.1 Parts of CATEGORY APG ME EQUIPMENT

Parts of CATEGORY APG ME EQUIPMENT in which a FLAMMABLE ANAESTHETIC MIXTURE WITH AIR occurs shall be CATEGORY AP or APG ME EQUIPMENT and shall comply with the requirements of Clause G.3, G.4 and G.5.

G.2.2 FLAMMABLE ANAESTHETIC MIXTURE WITH AIR

Where a FLAMMABLE ANAESTHETIC MIXTURE WITH AIR occurs because of a leakage or discharge of a FLAMMABLE ANAESTHETIC MIXTURE WITH OXYGEN OR NITROUS OXIDE from an ENCLOSURE, it is considered to propagate to a volume surrounding the leakage or discharge point at a distance from 5 cm to 25 cm from such a point.

G.2.3 FLAMMABLE ANAESTHETIC MIXTURE WITH OXYGEN OR NITROUS OXIDE

A FLAMMABLE ANAESTHETIC MIXTURE WITH OXYGEN OR NITROUS OXIDE may be contained in a completely or partly enclosed ME EQUIPMENT part and in the PATIENT'S respiratory tract. Such a mixture is considered to propagate to a distance of 5 cm from an ENCLOSURE part where leakage or discharge occurs.

G.2.4 ME EQUIPMENT specified for use with FLAMMABLE ANAESTHETIC MIXTURE WITH AIR

ME EQUIPMENT or parts thereof specified for use with FLAMMABLE ANAESTHETIC MIXTURE WITH AIR (in a location defined in G.2.2) shall be CATEGORY AP or APG ME EQUIPMENT and shall comply with the requirements of Clause G.4 and G.5.

G.2.5 ME EQUIPMENT specified for use with FLAMMABLE ANAESTHETIC MIXTURE WITH OXYGEN OR NITROUS OXIDE

ME EQUIPMENT or parts thereof specified for use with FLAMMABLE ANAESTHETIC MIXTURE WITH OXYGEN OR NITROUS OXIDE (in a location defined in G.2.2) shall be CATEGORY APG ME EQUIPMENT and shall comply with the requirements of G.4 and G.6.

Compliance with the requirements of G.2.3 through G.2.5 (inclusive) is checked by inspection and by the appropriate tests of Clause G.3, G.4 and G.5.

These tests shall be performed after applicable tests according to 11.6.6 and 11.6.7.

G.3 Marking, ACCOMPANYING DOCUMENTS

G.3.1 CATEGORY APG marking

CATEGORY APG ME EQUIPMENT shall be marked on a prominent location with a green-coloured band at least 2 cm wide imprinted with the characters “APG” (see symbol IEC 60417-5332 (DB:2002-10) (Table D.1, symbol 23)). The length of the green-coloured band should be at least 4 cm. The size of the marking should be as large as possible for the particular case. If this marking is impossible, the relevant information shall be given in the instructions for use.

Compliance is checked by inspection and by application of the tests and criteria in 7.1.2 and 7.1.3.

G.3.2 CATEGORY AP marking

CATEGORY AP ME EQUIPMENT shall be marked on a prominent location with a green-coloured circle of at least 2 cm diameter, imprinted with the characters “AP” (see symbol IEC 60417-5331 (DB:2002-10) (Table D.1, symbol 22)).

The size of the marking should be as large as possible for the particular case. If this marking is impossible, the relevant information shall be given in the instructions for use.

Compliance is checked by inspection and by application of the tests and criteria in 7.1.2 and 7.1.3.

G.3.3 Placement of markings

The marking according to G.3.2 and G.3.3 shall be present on the major part of the ME EQUIPMENT if this part is CATEGORY AP or CATEGORY APG. It need not be repeated on detachable parts that can only be used together with the marked ME EQUIPMENT.

Compliance is checked by inspection.

G.3.4 ACCOMPANYING DOCUMENTS

ACCOMPANYING DOCUMENTS shall contain an indication to enable the RESPONSIBLE ORGANIZATION to distinguish the parts of ME EQUIPMENT (see G.3.5) that are CATEGORY AP and CATEGORY APG.

Compliance is checked by inspection.

G.3.5 Marking when parts of ME EQUIPMENT are CATEGORY AP or CATEGORY APG

On ME EQUIPMENT in which only certain ME EQUIPMENT parts are CATEGORY AP or CATEGORY APG, the marking shall clearly indicate which parts are CATEGORY AP or CATEGORY APG.

Compliance is checked by inspection.

G.4 Common requirements for CATEGORY AP and CATEGORY APG ME EQUIPMENT

G.4.1 Electrical connections

- a) CREEPAGE DISTANCES and AIR CLEARANCES between the connection points of POWER SUPPLY CORD shall be according to THE Table 12 values for one MEANS OF PATIENT PROTECTION.
- b) Connections, except those in the circuits described in G.5.3 and G.6.3, shall be protected against accidental disconnection in NORMAL USE or shall be so designed that connection or disconnection can be performed only with the use of a TOOL.
- c) CATEGORY AP and CATEGORY APG ME EQUIPMENT shall not be provided with a DETACHABLE POWER SUPPLY CORD unless the circuit complies with the requirements of G.5.3 and G.6.3.

Compliance is checked by inspection or measurement.

G.4.2 Construction details

- a) Opening of an ENCLOSURE providing protection against the penetration of gases or vapours into the ME EQUIPMENT or into parts thereof shall be possible only with the aid of a TOOL.

Compliance is checked by inspection.

- b) To minimize arcing and sparking due to foreign objects penetrating the ENCLOSURE:
 - top covers of ENCLOSURES shall have no openings; openings for controls are permitted if these openings are covered by the control knob;
 - openings in side-covers shall have such dimensions that penetration by a solid cylindrical object of more than 4 mm diameter is prevented;
 - openings in base plates shall have such dimensions that penetration by a solid cylindrical object of more than 12 mm diameter is prevented.

Compliance is checked by means of a cylindrical test rod of 4 mm diameter for side-covers and 12 mm diameter for base plates. The test rod is not to enter the ENCLOSURE when applied in all possible directions without appreciable force.

- c) Where insulation of electrical conductors equal to one MEANS OF PATIENT PROTECTION may contact a part containing a FLAMMABLE ANAESTHETIC MIXTURE WITH OXYGEN OR NITROUS OXIDE or ignitable gases alone or oxygen, a short circuit of these conductors or a short circuit of one conductor to a conductive part containing the gas or mixture shall not result in loss of integrity of such a part or result in an inadmissible temperature or in a HAZARD in such a part (see G.6.3 a)).

Compliance is checked by inspection. In case of doubt, a short-circuit test (without explosive gases) should be performed and the temperature in the relevant part should be measured if possible. The short-circuit test need not be performed if the product of the open-circuit voltage in volts and the short-circuit current in amperes does not exceed 10.

G.4.3 Prevention of electrostatic charges

- a) Electrostatic charges shall be prevented on CATEGORY AP and CATEGORY APG ME EQUIPMENT by a combination of appropriate measures such as:
- the use of antistatic materials with a limited electrical resistance as specified in G.4.3 b), and
 - provision of electrically conductive paths from ME EQUIPMENT or its parts to a conductive floor or to the protective earth system or the potential equalization system or via wheels to an antistatic floor of the medically used room.
- b) The electrical resistance limits of anaesthetic tubing, mattresses and pads, castor tyres and other antistatic material shall comply with ISO 2882.

Compliance with the allowable resistance limits given in ISO 2882 is checked by measurements according to ISO 1853, ISO 2878 and ISO 23529.

G.4.4 Corona

Parts and components of ME EQUIPMENT operating at more than 2 000 V a.c. or more than 2 400 V d.c. that are not included in ENCLOSURES in compliance with G.5.4 or G.5.5 shall be so designed that corona cannot be produced.

Compliance is checked by inspection and measurement.

G.5 Requirements and tests for CATEGORY AP ME EQUIPMENT, parts and components thereof

G.5.1 General

ME EQUIPMENT, its parts or components shall not ignite FLAMMABLE ANAESTHETIC MIXTURES WITH AIR in NORMAL USE and NORMAL CONDITION.

ME EQUIPMENT, its parts or components complying with one of Subclauses G.5.2 to G.5.5 (inclusive) are considered to comply with the requirement of this subclause.

ME EQUIPMENT, its parts or components complying with the requirements of IEC 60079-0 for pressurized ENCLOSURES (IEC 60079-2), for sand-filled ENCLOSURES (IEC 60079-5) or for oil-immersed equipment (IEC 60079-6) as well as with the requirements of this standard (excluding those of G.5.2 to G.5.5), are considered to comply with the requirements for CATEGORY AP ME EQUIPMENT.

G.5.2 Temperature limits

ME EQUIPMENT, its parts or components not producing sparks and not producing operating temperatures of surfaces, in contact with gas mixtures in NORMAL USE and NORMAL CONDITION, exceeding 150 °C in case of restricted vertical air circulation by convection, or exceeding 200 °C in case of unrestricted vertical air circulation, if measured at an ambient temperature of 25 °C, are considered to comply with the requirements of G.5.1.

The operating temperatures are measured during the tests mentioned in 11.1.

G.5.3 * Low-energy circuits

ME EQUIPMENT, its parts or components that may produce sparks in NORMAL USE and NORMAL CONDITION of the ME EQUIPMENT (for example, switches, relays, plug connections that can be detached without the use of a TOOL, including connections inside ME EQUIPMENT that are not sufficiently locked or secured, and brush motors) shall comply with the temperature requirements of G.5.2 and additionally the voltage U_{\max} and the current I_{\max} , which can occur in their circuits, taking into account the capacitance C_{\max} and the inductance L_{\max} shall comply with the following:

$$U_{\max} \leq U_{zR} \text{ with a given current } I_{zR}, \text{ see Figure G.1,}$$

$$U_{\max} \leq U_c \text{ with a given capacitance } C_{\max}, \text{ see Figure G.2,}$$

$$I_{\max} \leq I_{zR} \text{ with a given voltage } U_{zR}, \text{ see Figure G.1, and}$$

$$I_{\max} \leq I_{zL} \text{ with a given inductance } L_{\max} \text{ and a } U_{\max} \leq 24 \text{ V, see Figure G.3.}$$

- The graphs of Figure G.1, Figure G.2 and Figure G.3 have been obtained with the test apparatus according to G.6 with the most readily flammable mixtures of ether vapour with air (ether volume percentage $4,3 \pm 0,2 \%$) for an ignition probability (without safety factor) of 10^{-3} .
- Extrapolation of the graph of Figure G.1 is allowed for combinations of currents and corresponding voltages within the limitations $I_{zR} \cdot U_{zR} \leq 50 \text{ W}$.
Extrapolation for voltages of more than 42 V is not valid.
- Extrapolation of the graph of Figure G.2 is allowed for combinations of capacitances and corresponding voltages within the limitations:

$$\frac{C}{2} U^2 \leq 1,2 \text{ mJ}$$

Extrapolation for voltages of more than 242 V is not valid.

If the equivalent resistance R is less than 8 000 Ω , U_{\max} is additionally determined with the actual resistance R .

- Extrapolation of the graph of Figure G.3 is allowed for combinations of currents and corresponding inductances within the limitations

$$\frac{L}{2} I^2 \leq 0,3 \text{ mJ}$$

Extrapolation for inductances larger than 900 mH is not valid.

- Voltage U_{\max} is taken as the highest supply voltage occurring in the circuit under investigation with the sparking contact open, taking into account the MAINS VOLTAGE variations required in 4.10.
- Current I_{\max} is taken as the highest current flowing in the circuit under investigation with the sparking contact closed, taking into account the MAINS VOLTAGE variations required in 4.10.
- Capacitance C_{\max} and inductance L_{\max} , are taken as the values that occur at the component under investigation that produces sparks in the ME EQUIPMENT.
- If the circuit is supplied with a.c., the peak value is taken into account.
- If the circuit is complicated and consists of more than one capacitance, inductance and resistance, or a combination thereof, an equivalent circuit is calculated to determine the equivalent maximum capacitance, the equivalent maximum inductance and additionally the equivalent U_{\max} and I_{\max} , either as d.c. values or as a.c. peak values.

Compliance is checked either by temperature measurement and determination of U_{max} , I_{max} , R , L_{max} and C_{max} and application of Figure G.1, Figure G.2 and Figure G.3, or by examination of the design data.

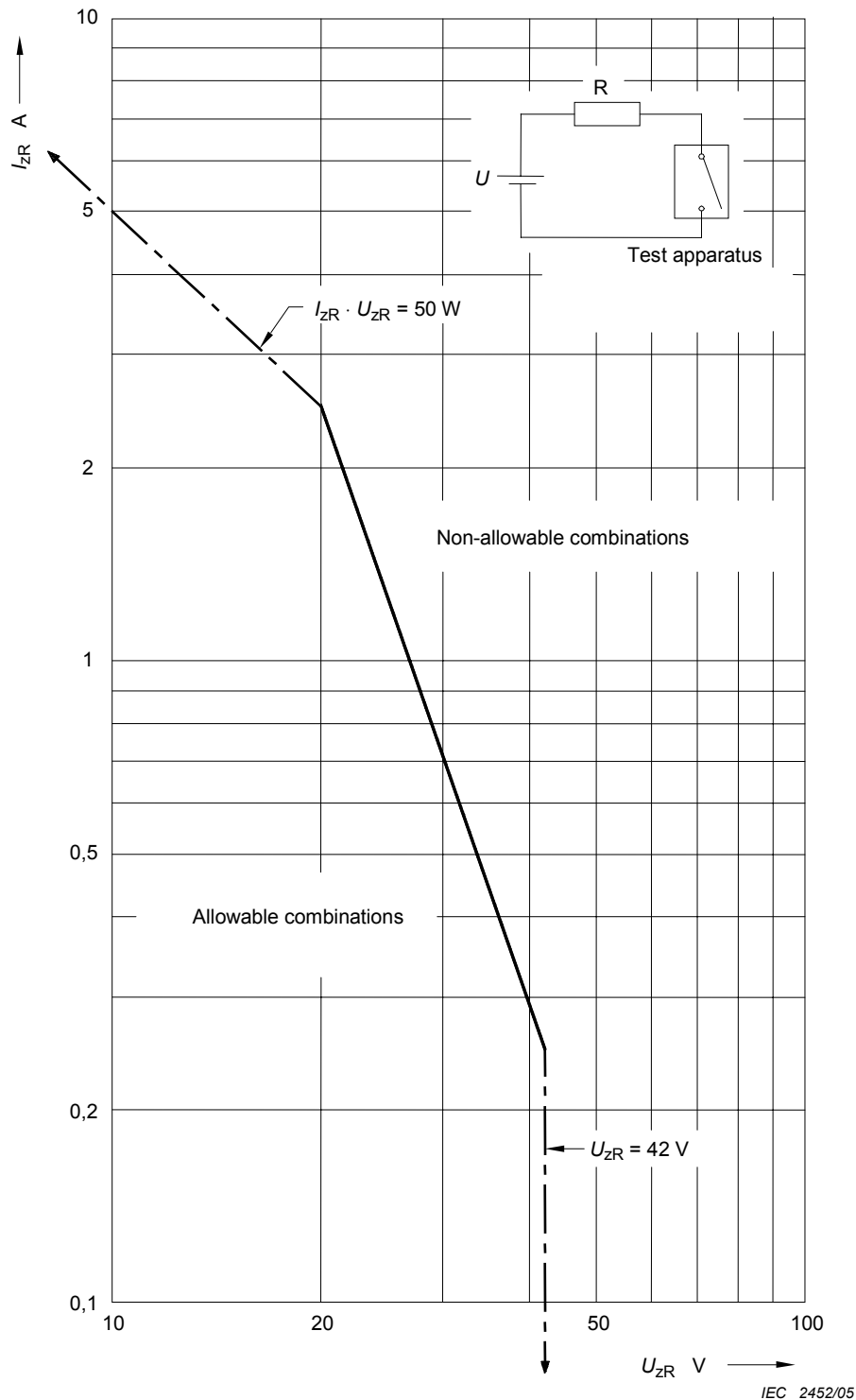
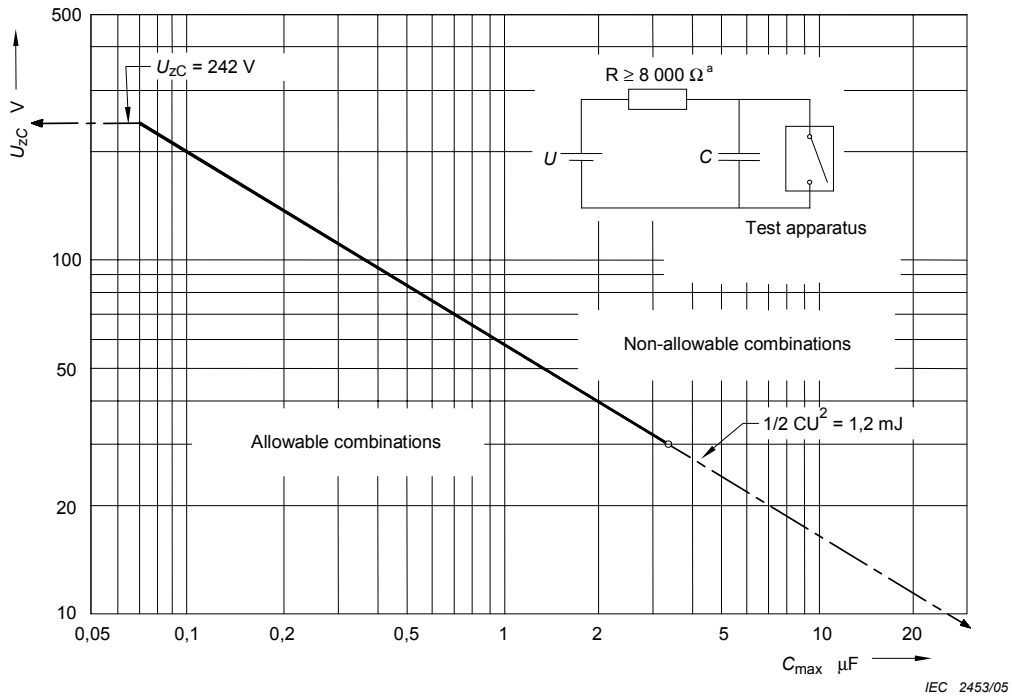


Figure G.1– Maximum allowable current I_{ZR} as a function of the maximum allowable voltage U_{ZR} measured in a purely resistive circuit with the most flammable mixture of ether vapour with air



^a 8 000 Ω or the actual resistance, if *R* is less than 8 000 Ω

Figure G.2 – Maximum allowable voltage U_{ZC} as a function of the capacitance C_{max} measured in a capacitive circuit with the most flammable mixture of ether vapour with air

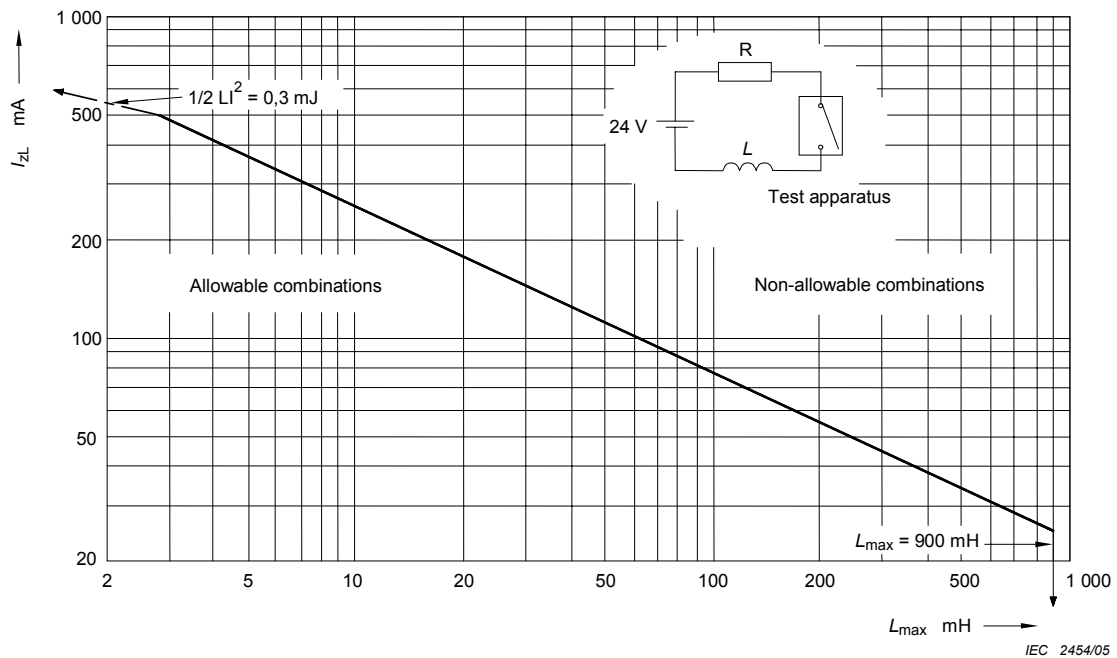


Figure G.3 – Maximum allowable current I_{ZL} as a function of the inductance L_{max} measured in an inductive circuit with the most flammable mixture of ether vapour with air

G.5.4 * External ventilation with internal overpressure

Where ME EQUIPMENT, its parts or components are enclosed in an ENCLOSURE with external ventilation by means of internal overpressure the following requirements shall apply.

- a) FLAMMABLE ANAESTHETIC MIXTURES WITH AIR that might have penetrated into the ENCLOSURE of ME EQUIPMENT or of an ME EQUIPMENT part shall be removed by ventilation before the ME EQUIPMENT or the ME EQUIPMENT part can be energized, and subsequently the penetration of such mixtures during operation shall be prevented by maintenance of overpressure within the ME EQUIPMENT or the ME EQUIPMENT part by means of air not containing flammable gases or vapours or by means of a physiologically acceptable inert gas (for example nitrogen).
- b) The overpressure inside the ENCLOSURE shall be at least 75 Pa in NORMAL CONDITION. The overpressure shall be maintained at the site of potential ignition even if the air or inert gas can escape through openings in the ENCLOSURE that are necessary for the normal operation of ME EQUIPMENT or its parts.

Energizing ME EQUIPMENT shall only be possible after the required minimum overpressure has been present for a time sufficient to ventilate the relevant ENCLOSURE so that the displaced volume of air or of inert gas is at least five times the volume of the ENCLOSURE. (However, ME EQUIPMENT may be energized at any time or repeatedly if the overpressure is continuously present.)

- c) If the overpressure drops below 50 Pa during operation, ignition sources shall be de-energized automatically by means that either shall be located in a place where the requirements and tests of Clause G.4 do not apply, or comply with the requirements of Clause G.5.
- d) The external surface of the ENCLOSURE in which the internal overpressure is maintained shall not attain in NORMAL CONDITION and NORMAL USE an operating temperature exceeding 150 °C, measured in an ambient temperature of 25 °C.

Compliance with the requirements of G.5.4 a) to G.5.4 d) is checked by temperature, pressure and flow measurements and inspection of the pressure monitoring device.

G.5.5 ENCLOSURES with restricted breathing

Where ME EQUIPMENT, its parts or components are enclosed in an ENCLOSURE with restricted breathing the following requirements shall apply:

- a) * ENCLOSURES with restricted breathing shall be so designed that the formation of a FLAMMABLE ANAESTHETIC MIXTURE WITH AIR inside the ENCLOSURE does not occur whilst the ENCLOSURE is surrounded by a FLAMMABLE ANAESTHETIC MIXTURE WITH AIR of a high concentration for a period of at least 30 min but without any pressure difference to the space inside the ENCLOSURE.
- b) If the required tightness is obtained by gaskets or sealing, the material used shall therefore be resistant to ageing.

Compliance is checked by application of test B-b of IEC 60068-2-2, Clause 15, temperature 70 °C ± 2 °C, duration 96 h.

- c) If the ENCLOSURE contains inlets for flexible cords, their gas-tightness shall be maintained when the cords are stressed by bending or pulling. The cords shall be fitted with adequate anchorages to limit these stresses (see 8.11.3.5).

Compliance with the requirements of G.5.5 a), G.5.5 b) and G.5.5 c) is checked by application of the following tests:

After completion of the test of G.5.4 b) if relevant, an internal overpressure of 400 Pa is created and 30 pulls of the value shown in Table G.1 are applied to each flexible cord alternately, in the axial direction of the cord inlet and in the least favourable perpendicular direction, each pull without jerks and of 1 s duration. At the end of the test the overpressure is not be reduced to less than 200 Pa.

Table G.1 – Gas-tightness of cord inlets

Mass (m) of ME EQUIPMENT kg	Pull N
$m \leq 1$	30
$1 < m \leq 4$	60
$m > 4$	100

When the ENCLOSURE of ME EQUIPMENT parts or components is sealed or gas-tight and no doubt exists that the ENCLOSURE complies with the aforementioned requirement, the ENCLOSURE is tested by inspection only.

The operating temperature of the external surface of the ENCLOSURE shall not exceed 150 °C measured at an ambient temperature of 25 °C. The steady state operating temperature of the ENCLOSURE is also measured.

G.6 Requirements and tests for CATEGORY APG ME EQUIPMENT, parts and components thereof

G.6.1 General

ME EQUIPMENT, its parts or components shall not ignite FLAMMABLE ANAESTHETIC MIXTURE WITH OXYGEN OR NITROUS OXIDE. This requirement applies both in NORMAL USE and in the event of any applicable SINGLE FAULT CONDITION, as described in 4.7.

ME EQUIPMENT, its parts or components that do not comply with the requirements of G.6.3 are tested by a CONTINUOUS OPERATION test over a period of 10 min in an ether/oxygen mixture (ether volume percentage 12,2 % ± 0,4 %) after the thermal steady state condition has been attained, but not longer than 3 h after switching on.

G.6.2 * Power supply

Parts or components of CATEGORY APG ME EQUIPMENT that operate in a FLAMMABLE ANAESTHETIC MIXTURE WITH OXYGEN OR NITROUS OXIDE shall be supplied from a source that is isolated from earth by at least insulation equal to one MEANS OF PATIENT PROTECTION and from electrical parts by insulation equal to two MEANS OF PATIENT PROTECTION.

Compliance is checked by inspection of circuit diagrams and measurement.

G.6.3 * Temperatures and low-energy circuits

ME EQUIPMENT, and its parts or components are considered to comply with the requirements of G.6.1 without being tested according to G.6.1 if, in NORMAL USE, NORMAL CONDITION and SINGLE FAULT CONDITIONS (see 4.7):

a) no sparks are produced and no temperatures exceeding 90 °C occur, or

b) a temperature limit of 90 °C is not exceeded, ME EQUIPMENT or its parts contain components that may produce sparks in NORMAL USE, NORMAL CONDITION and applicable SINGLE FAULT CONDITIONS, but the voltage U_{\max} and the current I_{\max} that can occur in their circuits, taking into account the capacitance C_{\max} and the inductance L_{\max} , comply with the following:

$U_{\max} \leq L_{zR}$ with a given I_{zR} , see Figure G.4, and

$U_{\max} \leq U_{zC}$ with given C_{\max} , see Figure G.5, as well as

$I_{\max} \leq I_{zR}$ with a given voltage U_{zR} , see Figure G.4, and

$I_{\max} \leq I_{zL}$ with a given inductance L_{\max} and $U_{\max} \leq 24$ V, see Figure G.6.

- The graphs in Figure G.4, Figure G.5 and Figure G.6 have been obtained with the test apparatus according to F.8 with the most readily flammable mixture of ether vapour with oxygen (ether volume percentage $12,2 \pm 0,4$ %) for an ignition probability of 10^{-3} . The maximum allowable values of I_{zR} (Figure G.4), U_{zC} (Figure G.5) and I_{zL} (Figure G.6) include a safety factor of 1,5.
- Extrapolation of the curves of Figure G.4, Figure G.5 and Figure G.6 is limited to the areas indicated.
- Voltage U_{\max} is taken as the highest no-load voltage occurring in the circuit under investigation, taking into account MAINS VOLTAGE variations as required in 4.10.
- Current I_{\max} is taken as the highest current flowing in the circuit under investigation, taking into account MAINS VOLTAGE variations as required in 4.10.
- Capacitance C_{\max} and inductance L_{\max} are taken as values that occur in the relevant circuit.
- If the equivalent resistance R in Figure G.5 is less than 8 000 Ω , U_{\max} is additionally determined with the actual resistance R .
- If the circuit is supplied with a.c., the peak value is taken into account.
- If the circuit is complicated and consists of more than one capacitance, inductance and resistance or a combination thereof an equivalent circuit is calculated to determine the equivalent maximum capacitance, the equivalent maximum inductance and, additionally, the equivalent U_{\max} and I_{\max} either as d.c. values or a.c. peak values.
- If the energy produced in an inductance or capacitance in a circuit is limited by voltage-limiting or current-limiting devices preventing the limits of Figure G.4, Figure G.5 and Figure G.6 being exceeded, two independent components shall be applied, so that the required limitation of voltage or current is obtained even in the case of a first fault (short circuit or open circuit) in one of these components.

This requirement does not apply to transformers designed and made according to this standard and to wire-wound current-limiting resistors provided with a protection against unwinding of the wire in the event of rupture.

Compliance is checked by inspection, temperature measurements, comparison with design data or by measurement of U_{\max} , I_{\max} , R , L_{\max} and C_{\max} and using Figure G.4, Figure G.5 and Figure G.6.

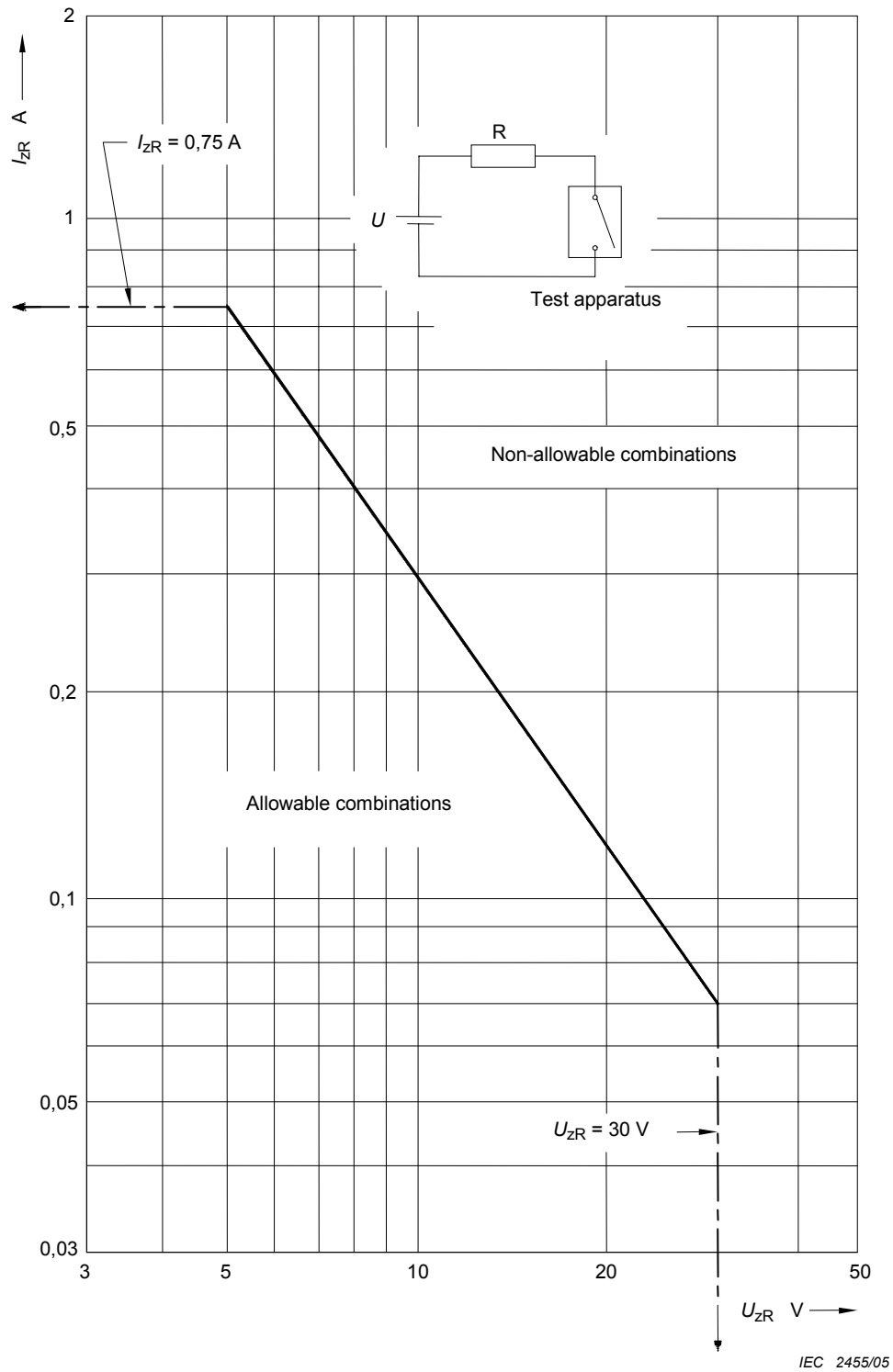
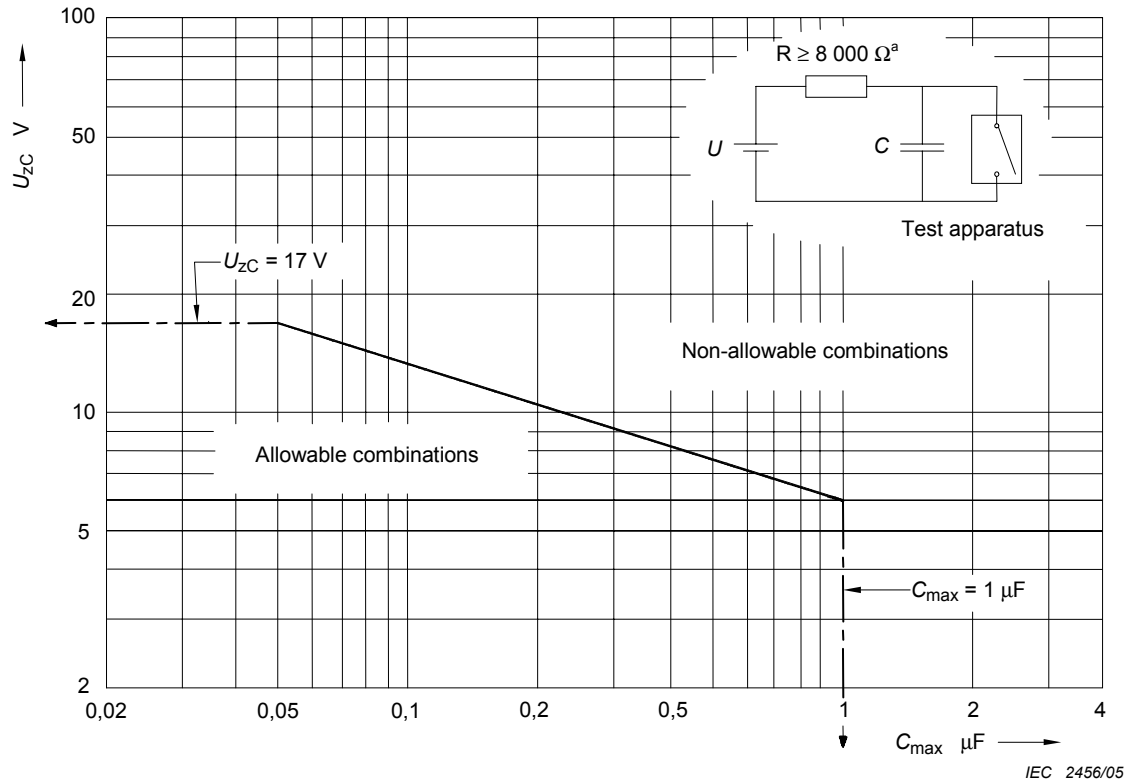


Figure G.4 – Maximum allowable current I_{zR} as a function of the maximum allowable voltage U_{zR} measured in a purely resistive circuit with the most flammable mixture of ether vapour with oxygen



^a 8 000 Ω or the actual resistance, if R is less than 8 000 Ω

Figure G.5 – Maximum allowable voltage U_{zC} as a function of the capacitance C_{max} measured in a capacitive circuit with the most flammable mixture of ether vapour with oxygen

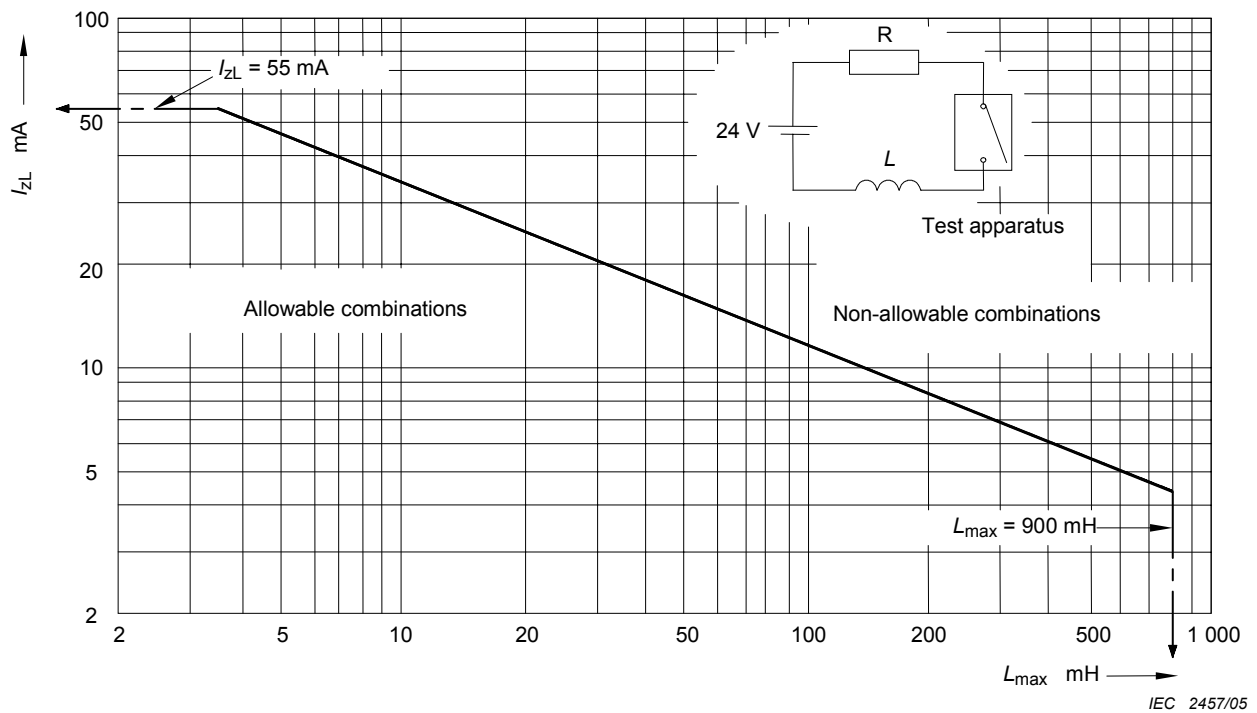


Figure G.6 – Maximum allowable current I_{zL} as a function of the inductance L_{max} measured in an inductive circuit with the most flammable mixture of ether vapour with oxygen

G.6.4 Heating elements

ME EQUIPMENT, its parts and components that heat a FLAMMABLE ANAESTHETIC MIXTURE WITH OXYGEN OR NITROUS OXIDE shall be provided with a non-SELF-RESETTING THERMAL CUT-OUT, as an additional protection against overheating.

Compliance is checked by the corresponding test of 15.4.2.1.

The current-carrying part of the heating element shall not be in direct contact with the FLAMMABLE ANAESTHETIC MIXTURE WITH OXYGEN OR NITROUS OXIDE.

Compliance is checked by inspection.

G.7 Test apparatus for flammable mixtures

NOTE Formally Appendix F of the second edition.

The test apparatus comprises an ignition space with a volume of at least 250 cm³, which contains the prescribed atmosphere or mixture and a contact arrangement (see Figure G.7) providing sparks by opening and closing.

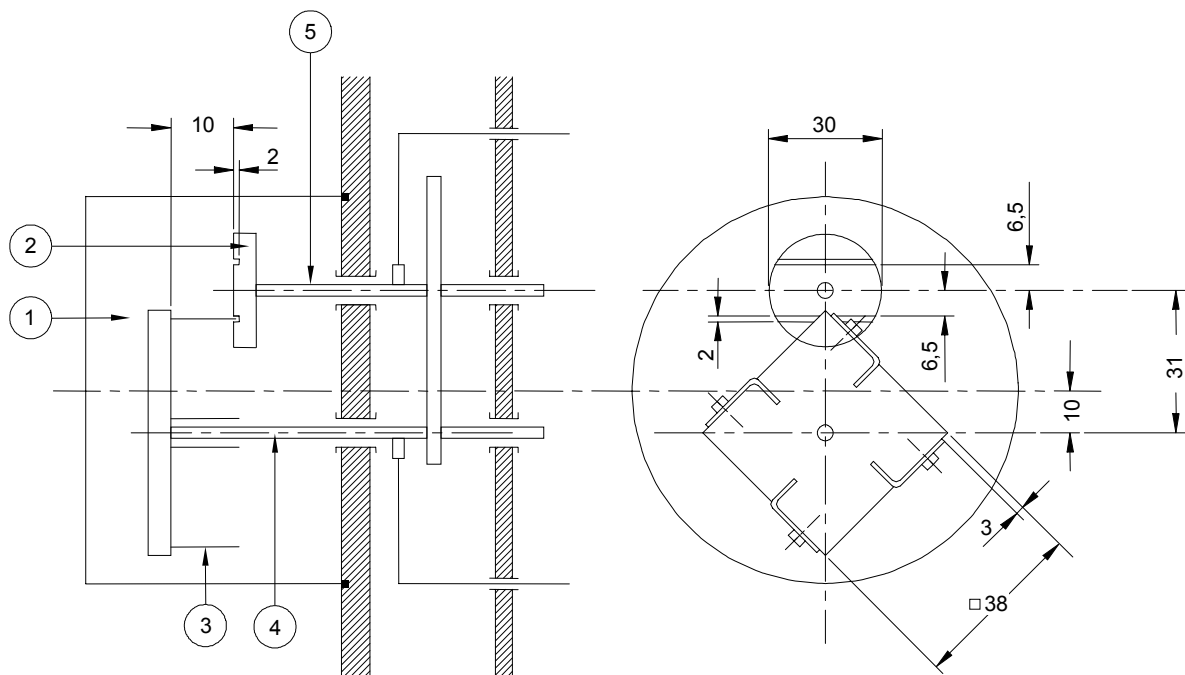
The contact arrangement consists of a cadmium disk with two grooves and a second disk with four tungsten wires having a diameter of 0,2 mm that slides over the first disk. The free length of the tungsten wires is 11 mm. The shaft to which the tungsten wires are connected rotates with a speed of 80 r/min. The shaft connected to the cadmium disk turns in opposite direction to the shaft connected to the disk with wires.

The ratio of the rotation speed of the shaft connected to the wires and the other shaft is 50:12.

Both shafts are isolated from each other and from the frame.

The ignition space must be able to support an internal overpressure of 1,5 MPa.

With the contact arrangement, the circuit to be tested is closed or opened and it is checked if the sparks will ignite the atmosphere or mixture under test.



IEC 2458/05

Dimensions in millimetres

Legend

- 1 Ignition space
- 2 Cadmium disk
- 3 Tungsten wire
- 4 Shaft of wire disk
- 5 Shaft of disk with grooves

Figure G.7 – Test apparatus

Annex H (informative)

PEMS structure, PEMS DEVELOPMENT LIFE-CYCLE and documentation

H.1 Examples for PEMS/PESS structures

A PEMS can be a very simple piece of ME EQUIPMENT or a complex ME SYSTEM or anything in between.

Figure H.1 shows some possible examples of a PEMS.

Figure H.1 a) shows a complex system. The PEMS breaks down into a number of major subsystems, which in turn are made up of subsystems, which include a PESS.

Figure H.1 b) shows a simpler implementation. In this case the intermediate major subsystem level is missing and the PESS is a subsystem of the PEMS itself.

Figure H.1 c) illustrates the simplest implementation of a PEMS. In this case the PEMS and the PESS are the same.

The structure of the PEMS is extremely important for implementing safety requirements. An architecture should be documented for the PEMS that describes the structure of the PEMS and the relationship between each PESS and the PEMS as a whole. The architecture should indicate:

- the division of the PEMS into components, especially those implemented in each PESS and including software components;
- the functions to be performed by each PESS and its components (including where appropriate safety-related functions);
- the interfaces between software components;
- the interfaces between software components and components external to the software.

H.2 PEMS DEVELOPMENT LIFE-CYCLE model

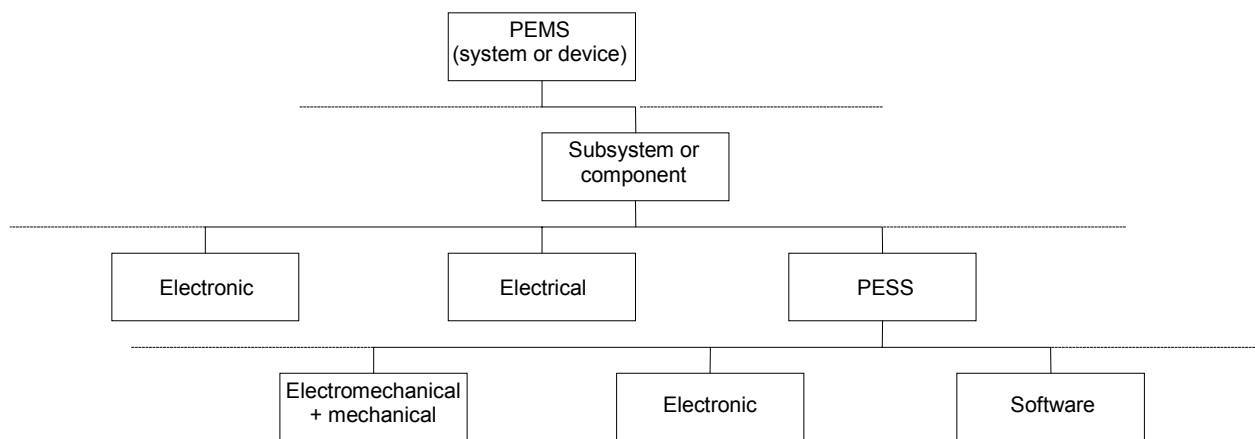
Compliance with the PEMS clause of this standard (Clause 14) requires that a PEMS DEVELOPMENT LIFE-CYCLE be specified and then followed; it does not require that any particular PEMS DEVELOPMENT LIFE-CYCLE is used, but it does require that the PEMS DEVELOPMENT LIFE-CYCLE has certain attributes. These requirements can be found in 14.4.

The PEMS DEVELOPMENT LIFE-CYCLE is a part of the overall product life-cycle.

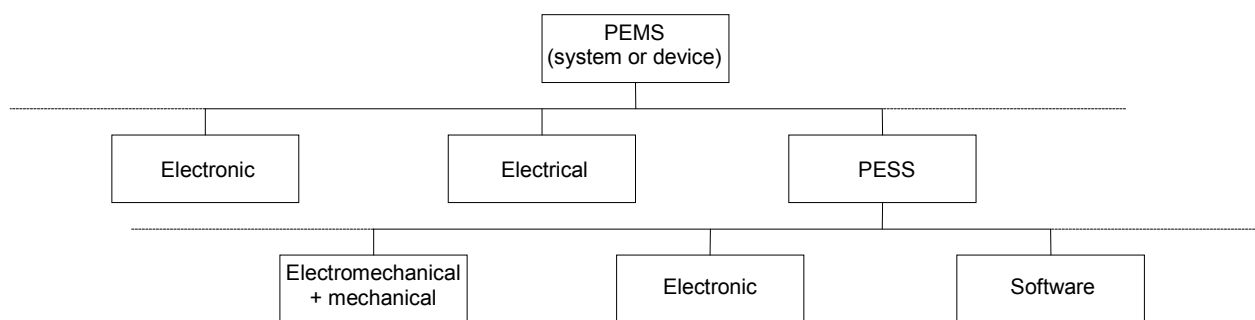
Figure H.2 is a view of the PEMS DEVELOPMENT LIFE-CYCLE which shows activities grouped into two main PROCESSES. On the left is decomposition PROCESS and on the right is the integration PROCESS.

Figure H.2 illustrates:

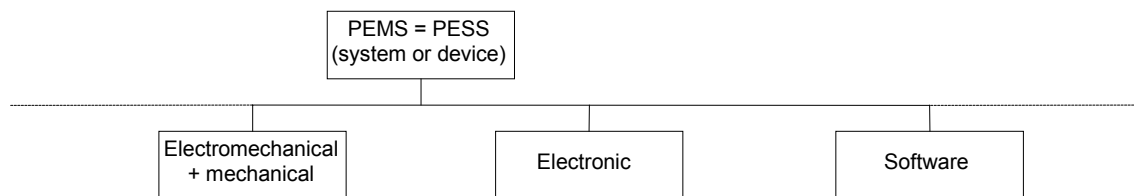
- layered design activities;
- for each layer of design, a corresponding layer of integration and VERIFICATION;
- verified parts are integrated to assemble the next higher layer;
- problem resolution PROCESS interactions.



a) Example of a complex system



b) Example of a simpler implementation



c) Example of the simplest implementation

Figure H.1 – Examples of PEMS/ PESS structures

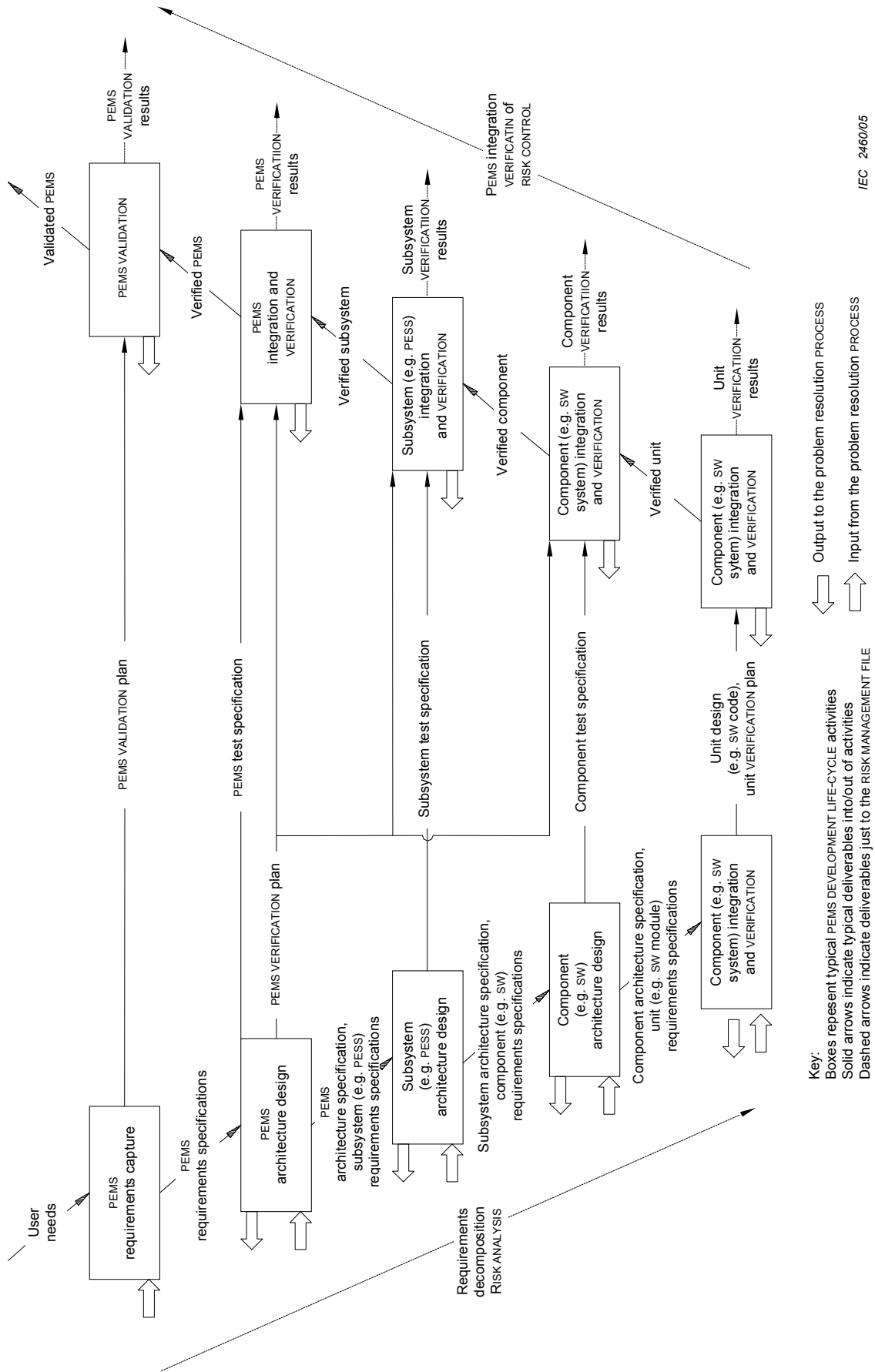


Figure H.2 – A PEMS DEVELOPMENT LIFE-CYCLE model

As the design is decomposed from the requirements, the functional building blocks, architecture and technology are decided. The decomposition PROCESS concludes when the design information enables the components of the PEMS to be built (examples of such design information are circuit diagrams and software code). The decomposition components are integrated together. VERIFICATION is performed as the components are integrated to determine whether or not the implementation satisfies the requirements. At the conclusion of the integration PROCESS, a PEMS VALIDATION is performed to determine whether or not the PEMS works as intended.

H.3 Software PROCESSES

H.3.1 PEMS DEVELOPMENT LIFE-CYCLE

A PEMS DEVELOPMENT LIFE-CYCLE, such as the one illustrated in Figure H.2, consists of a number of PROCESSES that are composed of activities. Each activity is performed to accomplish specific goals. To apply RISK MANAGEMENT, confidence in the engineering activities on which the RISK MANAGEMENT is based is needed. In particular, this is a requirement for the software life-cycle.

IEC 62304 [26] (under development) describes the processes to be included in the software development life-cycle for the development of safe medical device software.

H.3.2 Requirements specification

To determine which functions create or control RISKS, it is necessary to fully identify the requirements of the PEMS/PESS. It is not possible to do an adequate RISK ASSESSMENT without a complete requirement specification and an architectural design that meets that specification. The requirements should include, as appropriate to the PEMS software:

- functional and capability requirements, including ESSENTIAL PERFORMANCE, physical characteristics, and environmental conditions under which the software is to perform;
- interfaces external to the software;
- safety requirements including RISK CONTROL measures for hardware failures and potential software defects and specifications related to methods of operation and maintenance, environmental influences, and RISK CONTROL;
- software driven alarm signals, warnings and OPERATOR messages;
- security requirements, where lack of security would compromise safety;
- human-factors engineering requirements related to the use of the PEMS, including those related to support for manual operations, human-equipment interactions, constraints on personnel, and areas needing concentrated human attention that are sensitive to human errors and training;
- data definition and database requirements;
- installation and acceptance requirements for the PEMS software;
- documentation to be developed;
- operation and execution requirements;
- maintenance requirements.

RISK ASSESSMENT should be used to determine the extent to which the architecture design can be used to mitigate the RISKS.

H.3.3 Third-party and off-the-shelf (OTS) software

To have the ability to identify known or foreseeable HAZARDS, it is also necessary to characterise any third-party or OTS software used in the PEMS. The developer should establish software requirements for third-party or OTS software. These requirements should include the following:

- title and manufacturer, version level, release date, patch number and upgrade designation;
- the system hardware and software necessary to support proper operation (e.g. processor type and speed, memory type and size, and system, communication and display software requirements);
- interfaces to the software component;
- safety critical and RISK CONTROL measure functions dependent on the software component.

H.3.4 Integration

The developer should establish an integration plan to integrate the components of each PESS and of the PEMS. The plan should include the approach, responsibilities and sequence, and include all software components. If the PESS software is built using incremental integration methods, sufficient regression testing should be performed to ensure that previous VERIFICATION is still sufficient. Integration tests should include test cases which expose software behaviour not only in response to the normal case, but also in response to exceptional, stress or worst case conditions.

H.3.5 Configuration management

Because the RISK ANALYSIS relies on the requirements of the software, configuration management and change control are necessary to ensure that additional software functionality is not added during development without being considered by the RISK MANAGEMENT PROCESS. A configuration management plan should be established that describes:

- the items to be controlled;
- the configuration management activities;
- PROCEDURES and schedule for performing these activities;
- responsibilities for performing these activities;
- PROCEDURES to control the receipt, installation, and acceptance of each software component.

A scheme should be established for the unique identification of software configuration items and version control. This scheme should include any third-party and OTS software components.

H.3.6 Modification/change control

For modification/change control, the following should be performed:

- identification and recording of change requests;
- analysis and evaluation of the changes;
- approval or disapproval of the request;
- implementation, VERIFICATION and release of the modified software.

An audit trail should be maintained, whereby each modification, the reason for the modification, and authorization of the modification can be traced. RECORDS of the history of controlled items should be retrievable.

H.4 Design and implementation

During application of the PEMS DEVELOPMENT LIFE-CYCLE model, design and implementation will include the selection of:

- a) the design environment, for example:
 - software development methods;
 - computer aided software engineering (CASE) tools;
 - programming language;
 - hardware and software development platforms;
 - simulation tools;
 - design and coding standards;
- b) electronic components;
- c) redundant hardware;
- d) human-PEMS interface;
- e) energy sources;
- f) environmental conditions;
- g) third-party software;
- h) networking options.

These elements of the design environment can be characterized in general and in the specific manner of their use in the design and implementation PROCESS.

H.5 Documentation

Figure H.3 includes all of the documentation required by Clause 14 and ISO 14971:2000. It is intended to show an example structure only. Particular documentary references can be consolidated or distributed among several documents. The clause numbers preceded by a “#” are references to the clause numbers in ISO 14971:2000. Other numbers refer to the subclauses of this standard.

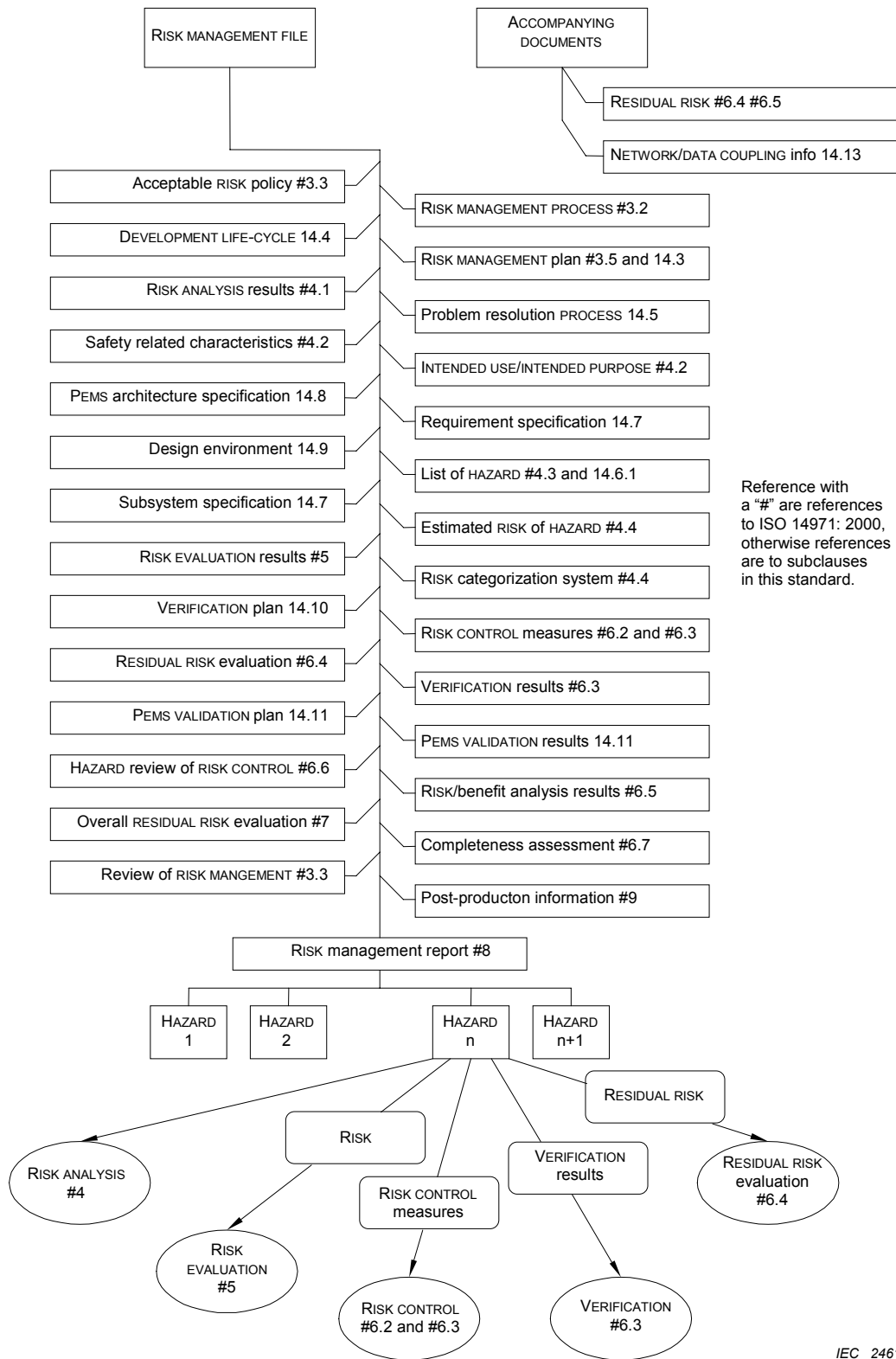


Figure H.3 – PEMS documentation requirements from Clause 14 and ISO 14971:2000

H.6 NETWORK/DATA COUPLING

H.6.1 General

In the context of this standard, the information transmitted as a part of NETWORK/DATA COUPLING is that intended by the MANUFACTURER to be transmittable (i.e. not through illegal or illicit actions of unauthorized persons).

NETWORK/DATA COUPLING as used in this standard does not include information transferred across user interfaces. The MANUFACTURER stipulates the possible information types and their transmission protocols in the technical description (see 14.13).

H.6.2 System integration responsibilities

ME EQUIPMENT and ME SYSTEMS will sometimes be used together to create a system. This is likely to become more frequent with the increasing use of computers to analyze clinical data and control treatment.

Sometimes ME EQUIPMENT will have been designed by the MANUFACTURER to work with other ME EQUIPMENT, however, it will often be the case that the separate ME EQUIPMENT will not have been designed to work with each other. Someone has to be responsible for ensuring that all the separate ME EQUIPMENT work together satisfactorily in the integrated system; in other words, someone has to be responsible for designing the integrated system.

It is recognized that the system integrator often has to comply with particular regulatory requirements.

In order to perform its function, the system integrator needs to know:

- how the integrated system is intended to be used;
- the required performance of the integrated system;
- the intended configuration of the system;
- the constraints on the extendibility of the system;
- the specifications of all ME EQUIPMENT and other equipment to be integrated;
- the performance of each ME EQUIPMENT and other equipment; and
- the information flow in and around the system.

This information will not be available to the individual MANUFACTURERS, and for this reason each individual MANUFACTURER cannot carry out the role of system integrator. In any case the system integrator has to be a single person or organisation that has overall responsibility, this overall responsibility can not be shared between several different MANUFACTURERS. The responsibility of a MANUFACTURER is limited to providing the required information on their equipment (see 14.13).

Obviously a RESPONSIBLE ORGANIZATION can employ a MANUFACTURER to integrate their system. In this case the whole system can become an ME SYSTEM and it will be the MANUFACTURER'S responsibility to provide a correctly integrated system. In this case the system could be separately regulated.

The system integrator should be competent to assess and address the HAZARDS that are likely to arise from integrating a system and to ensure that the RESIDUAL RISKS of the individual PEMS are maintained.

Typically a system integrator would:

- plan the integration of any ME EQUIPMENT or ME SYSTEM and non-medical equipment in accordance with the instructions provided by the various MANUFACTURERS;
- perform RISK MANAGEMENT on the integrated system; and
- pass on any MANUFACTURER'S instructions to the RESPONSIBLE ORGANIZATION where these are required for the safe operation of the integrated system. These instructions should include warnings about the HAZARDS of any change of configuration.

H.7 Design considerations for NETWORK/DATA COUPLING

H.7.1 Introduction

From the viewpoint of a PEMS MANUFACTURER, any type of a NETWORK/DATA COUPLING is a source of additional causes for HAZARDS. In principle any NETWORK/DATA COUPLING that is outside the control of the PEMS MANUFACTURER should never be presumed to be 100 % reliable.

H.7.2 Causes of HAZARDS associated with NETWORK/DATA COUPLING

In NETWORK/DATA COUPLED systems, likely causes for HAZARDS are:

- loss of data;
- inappropriate data interchange;
- corrupted data;
- inappropriate timing of data;
- unexpected receipt of data;
- unauthorized access to data.

Supplementing Annex A of ISO 14971:2000 when identifying the causes of HAZARDS associated with NETWORK/DATA COUPLING, at least the following should be considered:

- remote servicing (external access to the network);
- operating system (compatibility of operating systems);
- modification/upgrades of software (operating systems, applications, etc.);
- interface compatibility (data collisions, data formats):
 - connections (modification of hardware, network connectors);
 - network interface boards (compatibility);
 - network protocols (DICOM, HL7, etc.);
- packet address structure/timing;
- normal network loads/bandwidth;
- peak network load;
- data media (longevity and retrievability);
- security (viruses, worms, unauthorized software updates or upgrades);
- maximum acceptable response time;

- acceptable failure rate of the network;
- availability of the network (planned and unplanned maintenance);
- inconsistency in interfaces/formats resulting in loss of fidelity during information transfer;
- heterogeneous network topologies.

Supplementing Annex D of ISO 14971:2000 when considering the potential causes for HAZARDS listed above, the following questions should be taken into account:

a) Reasonably foreseeable misuses

Is connection to the network inconsistent with the INTENDED USE of each constituent PEMS?

b) Incorrect data flow to or from each constituent PEMS

What are the data transferred by the network used for, and to which tasks are they related? What are the consequences of a breakdown of the NETWORK/DATA COUPLING?

c) Deviation from the specified operational characteristics of any constituent PEMS

What are the operational characteristics of the PEMS and to what degree are they affected by the NETWORK/DATA COUPLING?

d) Incomplete characterization of NETWORK/DATA COUPLING parameters

Is the network topology, configuration, parameters (e.g. open or closed, bandwidth, transmission protocol) completely characterized? Are there any breakdown characteristics/concepts and what are these?

e) Excessive use/load of the NETWORK/DATA COUPLING by the network nodes

What is the planned number of network nodes and their assumed degree of use? Are the resources sufficient to meet the needs of both the NETWORK/DATA COUPLING itself and the devices connected to it?

f) Use errors

What skills are required by the OPERATOR for the effective operation of the system?

g) Inadequate configuration management

Do periodic service tasks alter the network's characteristics (e.g. after remote access, updates or upgrades)? Does the RESPONSIBLE ORGANIZATION ensure that modifications to each constituent PEMS are reviewed and approved?

h) Information in wrong place

Does data arrive at a convenient and predictable location? Is it accompanied by irrelevant data that could confuse the OPERATOR or obscure the wanted data? When it arrives, is its source adequately indicated?

H.7.3 Network classification based on the consequence to the PATIENT

H.7.3.1 Consequence to the PATIENT

In order to relate the causes in H.7.2 to the consequences for the PATIENT, it may be useful to classify NETWORK/DATA COUPLINGS both by the consequences and the reaction time, where reaction time is the time delay between a NETWORK/DATA COUPLING failure and the onset of HARM to the PATIENT.

Table H.1 contains an example of a NETWORK/DATA COUPLING classification based on these considerations.

H.7.3.2 Class C NETWORK/DATA COUPLING (PATIENT vital data, time critical)

This is the NETWORK/DATA COUPLING for all time critical application/PROCESSES. It is not linked to any other network, because a link could result in uncontrollable RISKS. All resources are available only for the nodes of this network. The availability needs to be close to 100 %. Disruptions need to be avoided and last for only a few minutes per year. Responsibility is assigned to a single PEMS MANUFACTURER/system contractor only. Network nodes comply with the requirements established by this MANUFACTURER/contractor. An example of this class is a PATIENT monitoring network.

Table H.1 – NETWORK/DATA COUPLING classification

Consequence	Reaction time	Class	Example(s)
Death/serious injury	Second(s)	C	Infusion (closed loop); false control of a surgical robot
	Minute(s)	C	Suppressed alarm transmission
	Hour(s)	C/B	False therapy data to ventilator
Medium injury	Second(s)	C	Wrong alarm transmission, false control of a surgical robot
	Minute(s)	C/B	Wrong alarm transmission, false control of a surgical robot
	Hour(s)	C/B	Falsified image; loss of a therapy report
Minor injury	Second(s)	B	
	Minute(s)	B	Loss of a radiograph
	Hour(s)	B/A	
Negligible	Second(s)	A	
	Minute(s)	A	
	Hour(s)	A	

H.7.3.3 Class B NETWORK/DATA COUPLING (PATIENT vital data, non-time critical)

This is the NETWORK/DATA COUPLING for non-time critical application/PROCESSES that handle therapeutic or diagnostic PATIENT data. This NETWORK/DATA COUPLING can be linked to another one by a defined and controllable/secured interface. The availability needs to be very high, and because of a lack of alternatives, disruptions should last only for short periods.

- The responsibility is assigned to the RESPONSIBLE ORGANIZATION or system integrator. In the case of multiple PEMS, the contention of data priority needs to be defined.
- The network nodes should follow selected criteria/minimum set of parameters. A radiology network can serve as an example.

H.7.3.4 Class A NETWORK/DATA COUPLING

This is the NETWORK/DATA COUPLING for any applications (including PATIENT administrative/demographic data) that operate on validated PATIENT data only and are not assigned to class “C” or “B” networks. Also, it can be accepted that these applications are unavailable for a longer period because there are alternatives. An example is a general hospital administration network where:

- the responsibility is assigned to the RESPONSIBLE ORGANIZATION;
- there are many types of network nodes.

H.7.4 NETWORK/DATA COUPLING parameters

The use of a NETWORK/DATA COUPLING for exchange of data either between PEMS or between PEMS and other information technology equipment requires the knowledge about both the structure of the NETWORK/DATA COUPLING and the PROCESSES/functions running inside them. This is important because MANUFACTURERS of PEMS or NETWORK/DATA COUPLINGS should select the configuration of their products such that:

- they comply with internationally recognized network standards (Ethernet, Fast Ethernet, GigaBitEthernet, FDDI, etc.) and use the available bandwidth appropriately according to the INTENDED USE;
- they achieve the optimal performance for their application

A mixture of different NETWORK/DATA COUPLINGS configurations/parameter settings can emerge which are not always compatible for the different NETWORK/DATA COUPLINGS nodes in spite of the fact that they comply to valid international standards.

To avoid or at least to minimize the resulting potential of disruption, a match of a minimum set of NETWORK/DATA COUPLINGS parameters derived from the relevant standards is required.

To ensure a reliable installation of NETWORK/DATA COUPLED PEMS and minimize the RISK to PATIENTS, the PEMS MANUFACTURER, the RESPONSIBLE ORGANIZATION, and the system integrator need to communicate all relevant technical parameters to each other. This level of detail is necessary to avoid inappropriate assumptions that result in unacceptable RISK.

Figure H.4 contains a list of parameters potentially required to be specified. Due to the rapid evolution of NETWORK/DATA COUPLING technology, this table should be seen as a starting point. It should be clear if the table should be maintained and who should be responsible for maintaining it.

Objects	Description	Value/Comment
<i>Application and Operating System:</i>		
Operating System / Version:		
Network protocols:		
<i>Detailed data for specific application / transport protocol (if used)</i>		
HL7	HL 7 version	
	Formats of message types used	
	Free fields (which are used)	
	Ports	
	HL7 Protocol (TCP/IP Lower Layer)	
DICOM Service classes	A) Test:	Verification
	B) Transfer:	Storage
		Query/Retrieve
	C) Documentation:	Print management
	D) Organization:	Modality work list management
		Performed procedure step
	E) Information:	Study contents notification
		Patient management
		Storage commitment
		Study component management
F) External Storage:	Results management	
	Media storage	
DICOM Objects	e.g. COMPUTER RADIOGRAPHY IMAGE	
	Other Modality Objects	
DICOM host name		
DICOM AET called		
DICOM AET calling		
DICOM Port called		
DICOM Port calling		
<i>Detailed Parameters with respect to the lower protocol layers</i>		
Network data	Physical connection	
	Network interface card parameters	
<i>Network-Administration</i>		
Port number of connected Switch / HUB / Router		
IP-Address		
Subnet mask		
Host-Name		
IT-Domain		
Active-Directory / LDAP Server		
Default Gateway (Access via Router)		
<i>Remote Control</i>		
Remote Monitoring		
Modem Connection		
Remote Service IP-Address		
Other Parameters		

Figure H.4 – Example of potential parameters required to be specified for NETWORK/DATA COUPLING

Annex I (informative)

ME SYSTEMS aspects

I.1 Combinations of ME EQUIPMENT and non-ME EQUIPMENT

I.1.1 Introduction

This annex provides a summary of situations that could occur when different combinations of equipment are used in various medical environments. To keep this summary short, no more than two items of equipment (A and B) are used per situation.

I.1.2 Localities in a medical environment

The following localities are foreseen (see also Table I.1):

- the PATIENT ENVIRONMENT as part of a medically used room;
- a medically used room, excluding the PATIENT ENVIRONMENT;
- the non-medically used room (a room not designed for medical treatment, for example, an office or a storage room).

A protective earth can be dedicated to each of the three localities listed above.

NOTE A potential difference (V) can exist between the protective earths in different localities. In case of an interruption of protective earthing (fault condition) for equipment in the PATIENT ENVIRONMENT, this potential difference can appear on the ENCLOSURE of the equipment causing a HAZARD for the OPERATOR or for the PATIENT if the OPERATOR simultaneously touches the equipment and the PATIENT, or for the PATIENT if the ME EQUIPMENT is of TYPE B.

I.1.3 Basic principles

- PATIENTS should only be connected to APPLIED PARTS of ME EQUIPMENT complying with this standard. Other equipment should comply with relevant IEC or ISO standards.
- In fault condition the allowable TOUCH CURRENT is 500 μ A.
- All equipment complying with the safety standard applicable to the originally intended, non-medical use, herein called IEC XXXXX, and placed in the PATIENT ENVIRONMENT needs measures to limit the TOUCH CURRENT, if this exceeds the values specified in 16.6.1.

I.1.4 Examples of ME SYSTEMS

Two items of equipment are placed within the PATIENT ENVIRONMENT (see situation No. 1 in Table I.1).

There are several possibilities designated 1a through 1f:

- 1a: Items A and B both comply with IEC 60601: Subclause 16.6 is satisfied.
- 1b: Items A and B both comply with IEC 60601 and are powered through a MULTIPLE SOCKET-OUTLET: LEAKAGE CURRENTS might be too high when the earth conductor in the MULTIPLE SOCKET-OUTLET is broken.

- 1c: Item A complies with IEC 60601 and item B complies with IEC XXXXX: only the TOUCH CURRENT of item B has to be limited when any single PROTECTIVE EARTH CONDUCTOR or the equivalent conductor of the equipment, is interrupted, if necessary, by applying an additional protective earth or a separating transformer to item B.
- 1d: Same as 1c, with both items powered through a MULTIPLE SOCKET-OUTLET: LEAKAGE CURRENTS might be too high for causes as listed under 1b and 1c.
- 1e: Item A is powered from item B with item A complying to IEC 60601 and being an insert to item B, complying to IEC XXXXX. Item B needs the measures for a power supply as described by the MANUFACTURER and needs to fulfil the requirement of 16.3. If necessary, apply an additional protective earth or a separating transformer to item B.
- 1f: Same as 1e, with item A not being an insert to item B: see 1e.

Situations 2 and 3 can be derived from situation 1 of Table I.1.

NOTE The practical means of compliance indicated in Table I.1 are not intended to be an exhaustive list.

Table I.1 – Some examples of ME SYSTEMS for illustration

Situation No.	Medically used room		Non-medically used room	Examples of possible causes for exceeding LEAKAGE CURRENT limits	Practical means of compliance Apply 16.5 in all situations
	Inside the PATIENT ENVIRONMENT	Outside the PATIENT ENVIRONMENT			
1	1a Items A and B are ME EQUIPMENT			Multiplied APPLIED PARTS of the same type can cause the total PATIENT LEAKAGE CURRENT to exceed limits See Note 1.	- Verify total PATIENT LEAKAGE CURRENT
	1b Items A and B are ME EQUIPMENT powered via a MULTIPLE SOCKET-OUTLET			Earth conductor of the MULTIPLE SOCKET-OUTLET is broken See also 1a.	- Additional PROTECTIVE EARTH CONNECTION (for A or B) or, - Separating transformer
	1c Item A is ME EQUIPMENT and B is Non-ME EQUIPMENT			Due to high TOUCH CURRENT of B	- Additional PROTECTIVE EARTH CONNECTION (for B) or, - Separating transformer (for B)
	1d Item A is ME EQUIPMENT and B is non-ME EQUIPMENT powered via a MULTIPLE SOCKET-OUTLET			The earth conductor of the MULTIPLE SOCKET-OUTLET is broken or, Due to high TOUCH CURRENT of B	- Additional PROTECTIVE EARTH CONNECTION (for A or B) or, - Separating transformer
	1e Item A is ME EQUIPMENT powered from specified power supply in item B			Due to high TOUCH CURRENT of B	- Additional PROTECTIVE EARTH CONNECTION (for B) or, - Separating transformer (for B)
	1f Item A is ME EQUIPMENT powered from NON-ME EQUIPMENT power supply in B				

Table I.1 (continued)

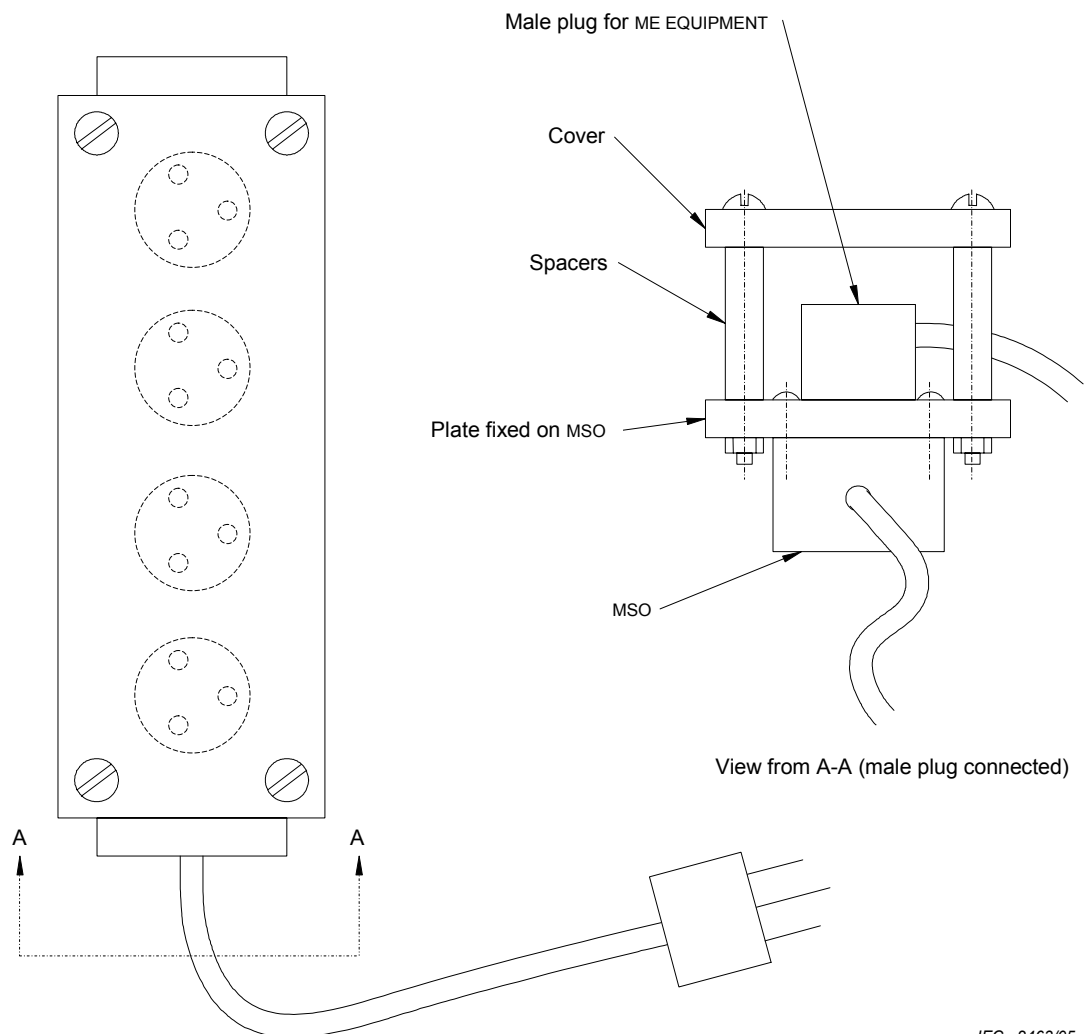
Situation No.	Medically used room		Non-medically used room	Examples of possible causes for exceeding LEAKAGE CURRENT limits	Practical means of compliance Apply 16.5 in all situations
	Inside the PATIENT ENVIRONMENT	Outside the PATIENT ENVIRONMENT			
2	2a Items A and B are ME EQUIPMENT			No causes of exceeding LEAKAGE CURRENT	- No further measures are necessary
	2b Items A and item B are ME EQUIPMENT powered via a MULTIPLE SOCKET-OUTLET			Earth conductor of the MULTIPLE SOCKET-OUTLET is broken	- Additional PROTECTIVE EARTH CONNECTION (for A or B) or, - Separating transformer
	2c Item A is ME EQUIPMENT and item B is non-ME EQUIPMENT			Due to high TOUCH CURRENT of B See rationale for 16.5.	- Do not use metal connector housing or, - SEPARATION DEVICE
	2d Item A is ME EQUIPMENT and item B is non-ME EQUIPMENT powered via a MULTIPLE SOCKET-OUTLET			The earth conductor of the MULTIPLE SOCKET-OUTLET is broken	- Additional PROTECTIVE EARTH CONNECTION (for A or B) or, - Separating transformer
3	3a Items A and B are ME EQUIPMENT			No causes of exceeding LEAKAGE CURRENT	- No further measures are necessary
	3b Item A is ME EQUIPMENT and item B is non-ME EQUIPMENT			Due to high TOUCH CURRENT of B See rationale for 16.5.	- Do not use metal connector housing for SIGNAL INPUT/OUTPUT PART or, - SEPARATION DEVICE
	3c Item A is ME EQUIPMENT and item B is ME EQUIPMENT OR non-ME EQUIPMENT			a) Potential difference between PROTECTIVE EARTH CONNECTIONS of A and B b) Due to high TOUCH CURRENT of B See rationale for 16.5.	- Additional PROTECTIVE EARTH CONNECTION for (A), or - SEPARATION DEVICE, or - Do not use metal connector housing in the PATIENT ENVIRONMENT

Table I.1 (continued)

NOTE 1	No causes of TOUCH CURRENT or EARTH LEAKAGE CURRENT exceeding limits.
NOTE 2	IEC 60601: MEDICAL ELECTRICAL EQUIPMENT in compliance with IEC 60601.
NOTE 3	IEC xxxxx: Non-medical equipment in compliance with relevant IEC safety standards.
NOTE 4	Separating transformer: see 16.9.2.1.
NOTE 5	If equipment "B" is outside the PATIENT ENVIRONMENT and if equipment "A" is a CLASS II equipment and has accessible conductive parts connected to the PROTECTIVE EARTH CONNECTION of equipment "B" then additional safety measures could be necessary, for example: additional protective earth for "B" or separating transformer or SEPARATION DEVICE.

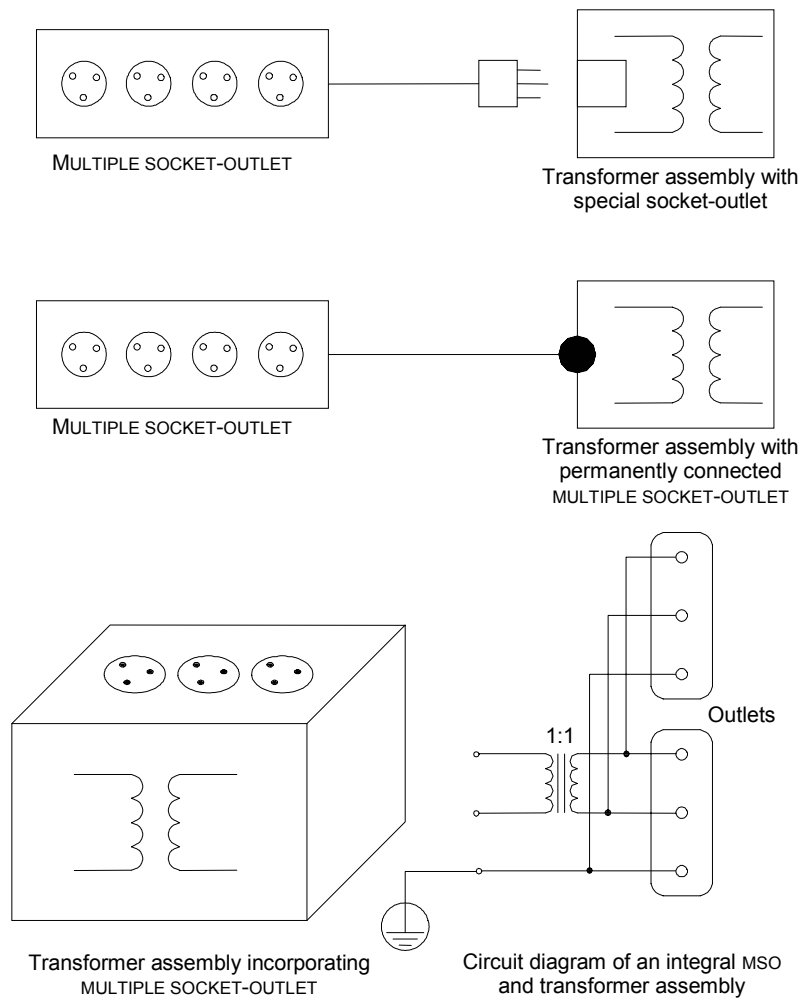
I.2 Examples of application of MULTIPLE SOCKET-OUTLETS (MSO)

Figure I.1 shows an example of the construction of a MULTIPLE SOCKET-OUTLET. Figure I.2 shows some examples of application of MULTIPLE SOCKET-OUTLETS.



IEC 2463/05

**Figure I.1 – Example of the construction of a MULTIPLE SOCKET-OUTLET (MSO)
(accessible only with the use of a TOOL)**



IEC 2464/05

Figure I.2 – Examples of application of MULTIPLE SOCKET-OUTLETS (MSO)

Annex J
(informative)

Survey of insulation paths

(see 8.5.1)

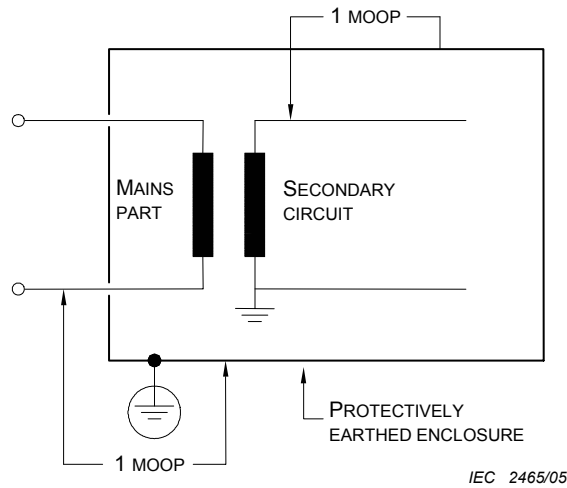


Figure J.1 – Insulation example 1

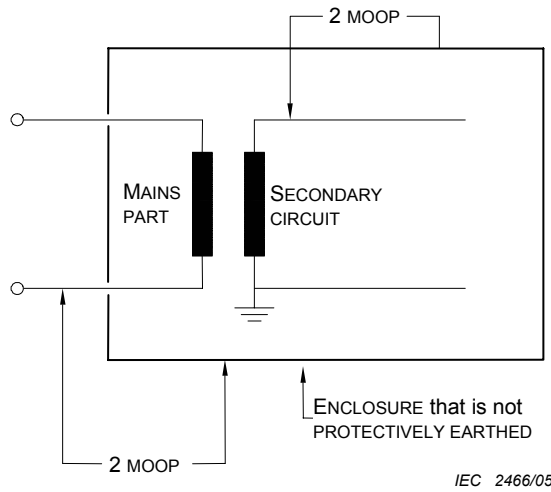
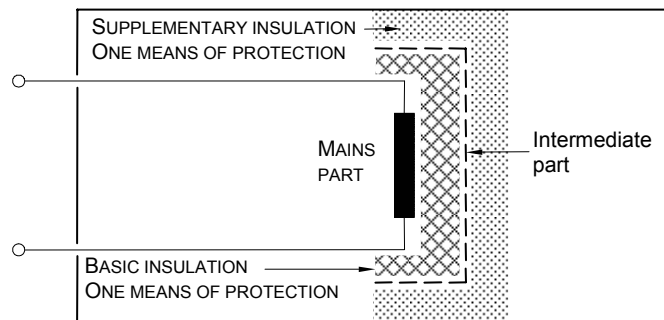


Figure J.2 – Insulation example 2



IEC 2467/05

Figure J.3 – Insulation example 3

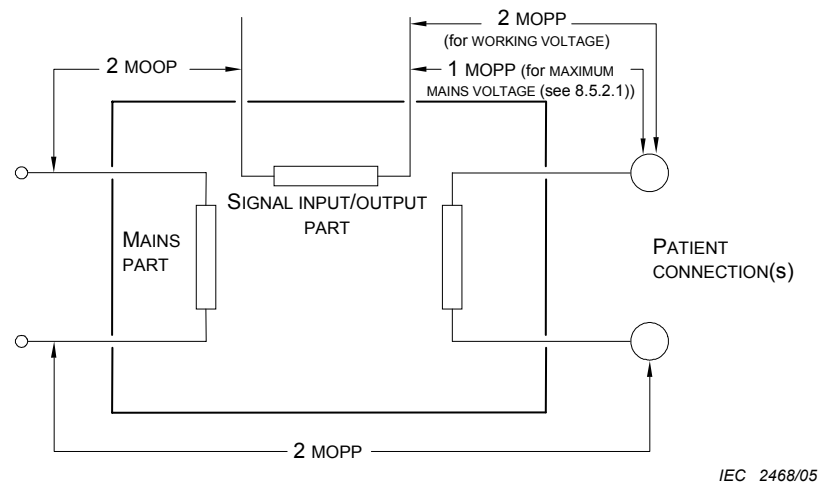


Figure J.4 – Insulation example 4

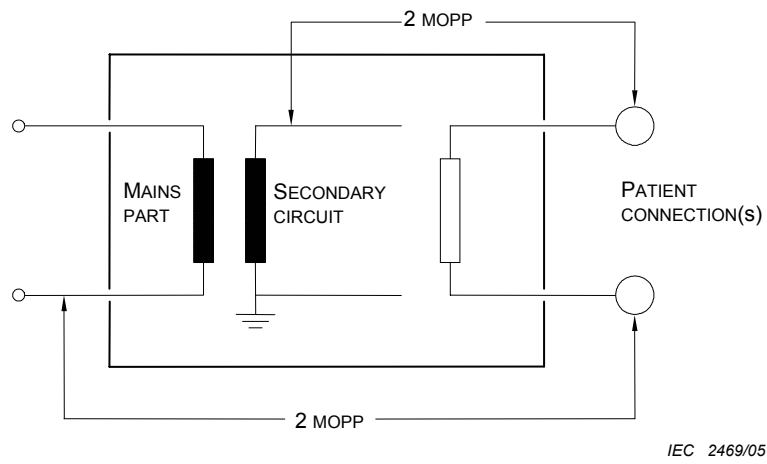


Figure J.5 – Insulation example 5

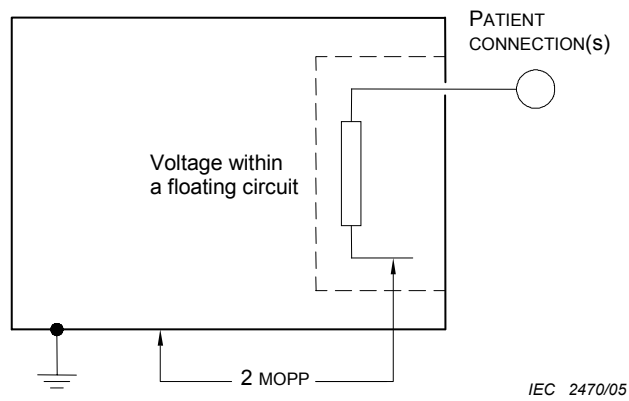
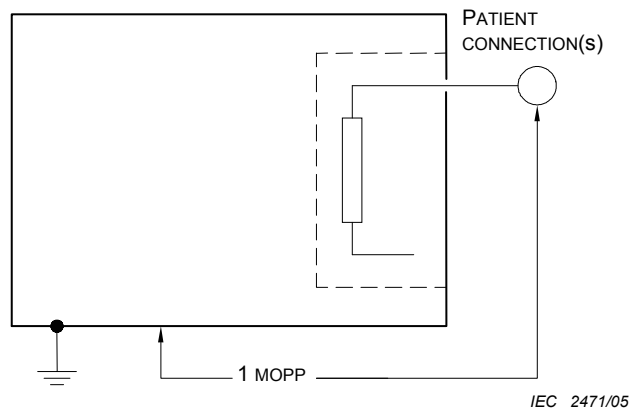


Figure J.6 – Insulation example 6



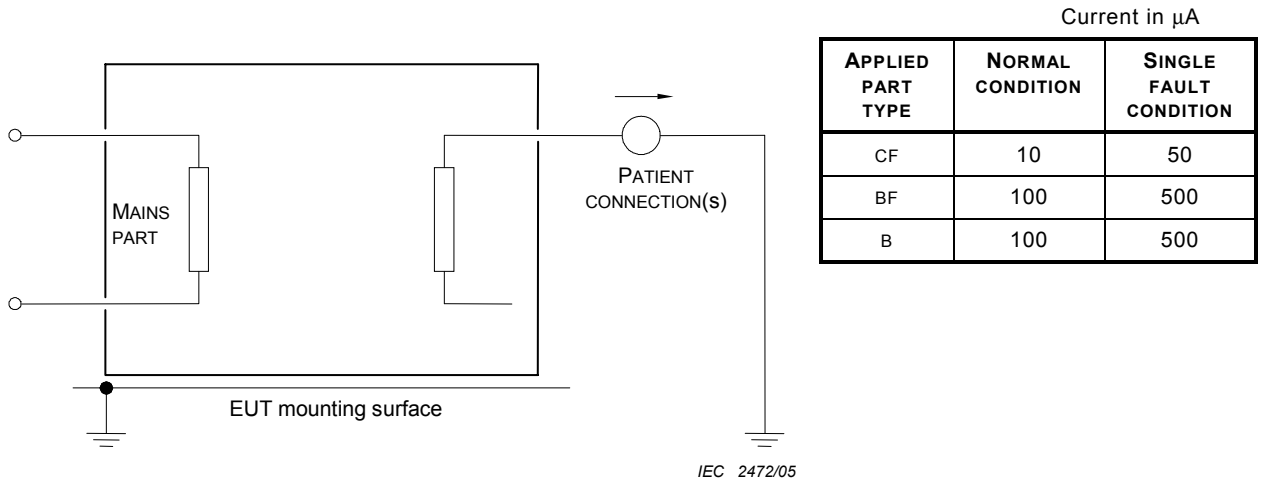
NOTE WORKING VOLTAGE is the MAXIMUM MAINS VOLTAGE.

Figure J.7 – Insulation example 7

Annex K (informative)

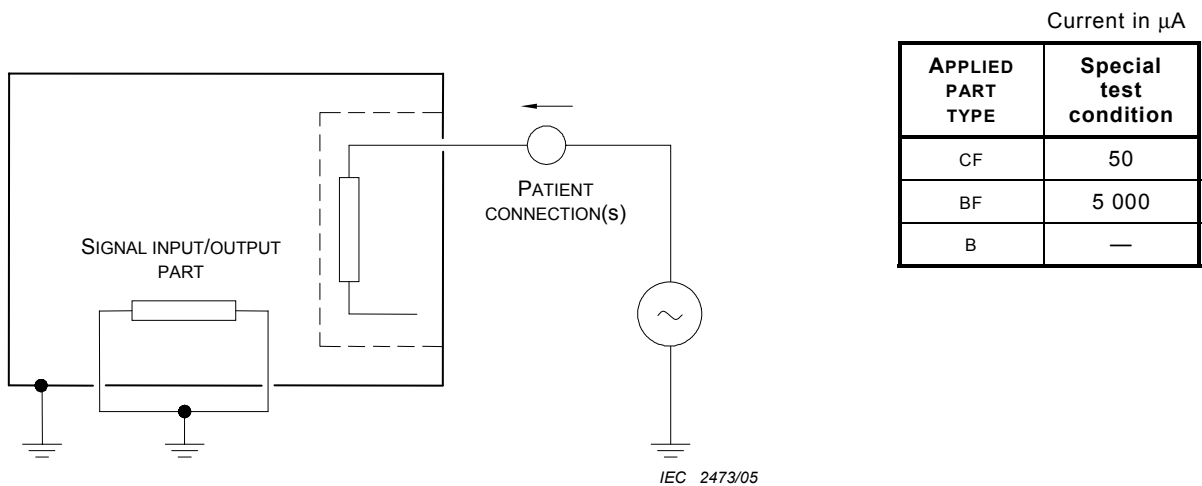
Simplified PATIENT LEAKAGE CURRENT diagrams

Figure K.2, Figure K.4 and Figure K.5 illustrate a special test condition in Table 4, which is neither a NORMAL CONDITION nor a SINGLE FAULT CONDITION.



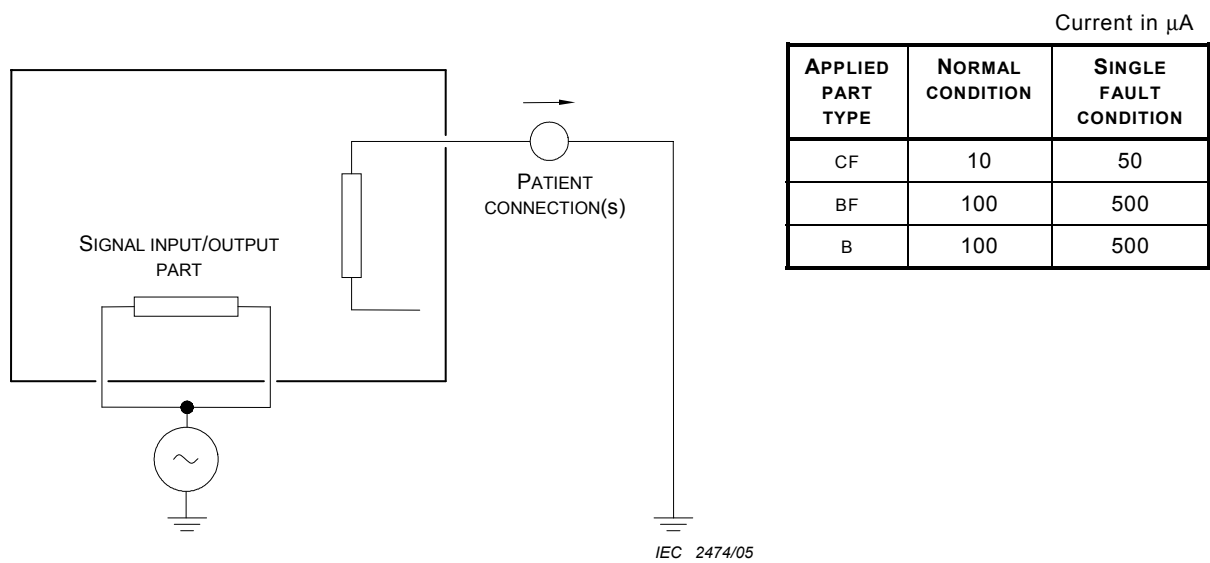
Example with the measuring supply circuit of Figure F.1.

Figure K.1 – ME EQUIPMENT with an ENCLOSURE made of insulating material
(simplified Figure 15)
(see 8.7.4.7 a))



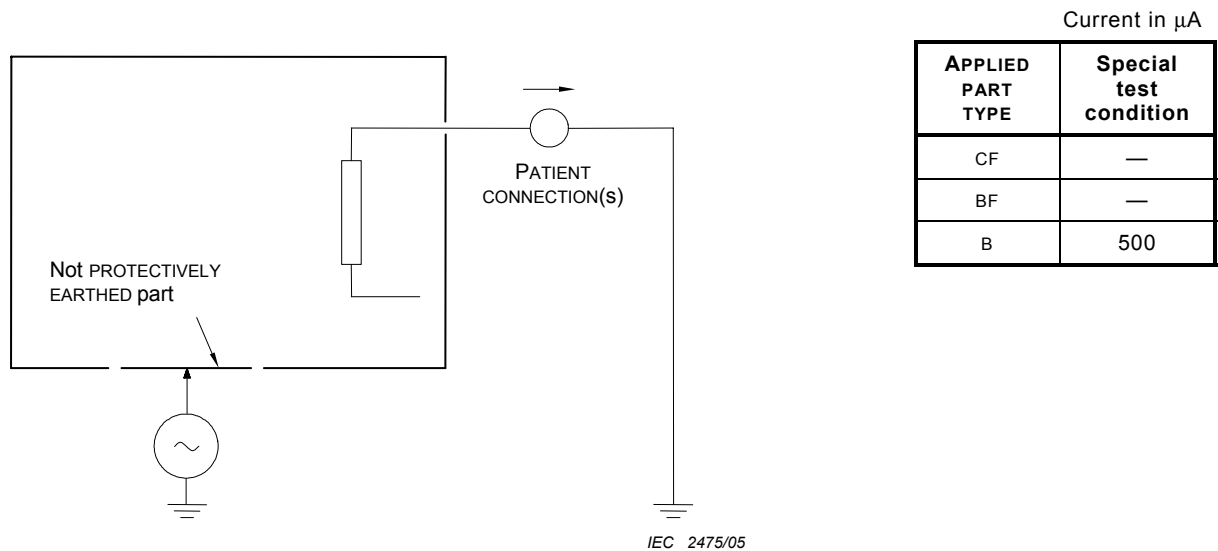
Example with the measuring supply circuit of Figure F.1.

Figure K.2 – ME EQUIPMENT with an F-TYPE APPLIED PART
(simplified Figure 16)
(see 8.7.4.7 b))



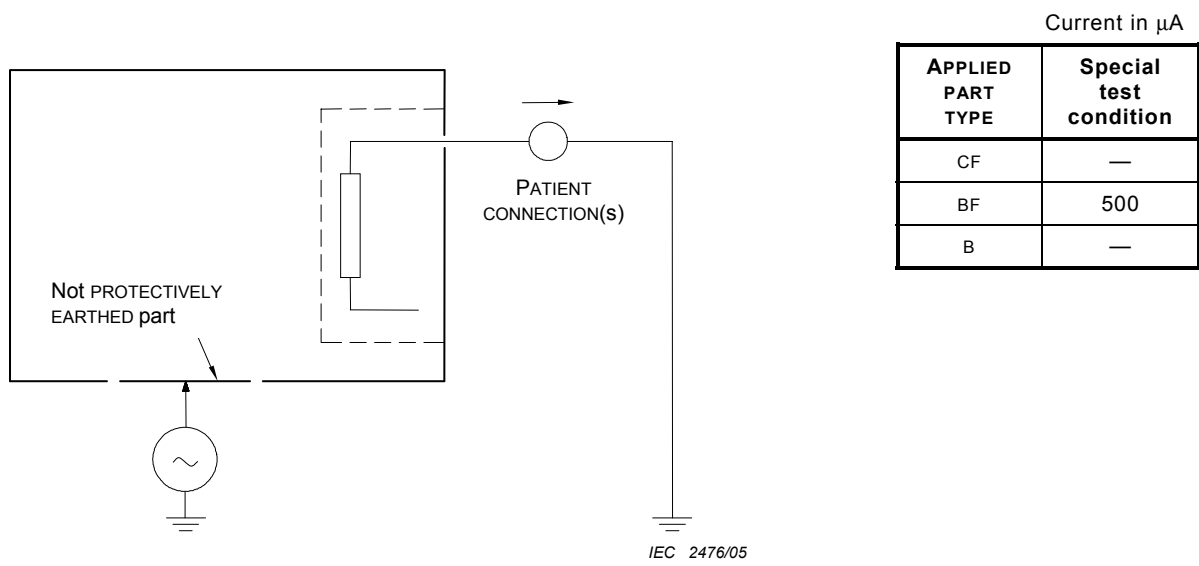
Example with the measuring supply circuit of Figure F.1.

Figure K.3 – ME EQUIPMENT with an APPLIED PART and a SIGNAL INPUT/OUTPUT PART
(simplified Figure 17)
(see 8.7.4.7 c))



Example with the measuring supply circuit of Figure F.1.

Figure K.4 – ME EQUIPMENT with a PATIENT CONNECTION of a TYPE B APPLIED PART that is not PROTECTIVELY EARTHED
(simplified Figure 18)
(see 8.7.4.7 d))



Example with the measuring supply circuit of Figure F.1.

Figure K.5 – ME EQUIPMENT with a PATIENT CONNECTION of a TYPE BF APPLIED PART that is not PROTECTIVELY EARTHED (simplified Figure 18) (see 8.7.4.7 d))

Annex L (normative)

Insulated winding wires for use without interleaved insulation (see 8.8.2)

L.1 Introduction

This annex specifies winding wire whose insulation may be used to provide BASIC INSULATION, SUPPLEMENTARY INSULATION, DOUBLE INSULATION or REINFORCED INSULATION in wound components without interleaved insulation.

This annex covers round winding wires having diameters between 0,05 mm and 5,00 mm.

L.2 Wire construction

If the wire is insulated with two or more spirally wrapped layers of tape, the overlap of layers shall be adequate to ensure continued overlap during manufacture of the wound component. The layers of spirally wrapped wire insulation shall be sufficiently secured to maintain the amount of overlap.

L.3 TYPE TEST

The wire shall pass the tests of L.3.1 to L.3.4, carried out at a temperature between 15 °C and 35 °C and a relative humidity between 45 % and 75 %, unless specified otherwise.

L.3.1 Dielectric strength

The test sample is prepared according to IEC 60851-5:1996, Subclause 4.4.1 (for a twisted pair). The sample is then subjected to the test of 8.8.3 for the appropriate type and number of MOP(s). The test voltage is at least twice the appropriate voltage in Table 6 and Table 7 (see 8.8.3), with a minimum of:

- 3 000 V for BASIC INSULATION or SUPPLEMENTARY INSULATION; or
- 6 000 V for REINFORCED INSULATION.

L.3.2 Flexibility and adherence

The sample is subjected to test 8 of IEC 60851-3:1996, Subclause 5.1.1, using the mandrel diameters of Table L.1. The test sample is then examined in accordance with IEC 60851-3:1997, Subclause 5.1.1.4, followed by the test of 8.8.3, for the appropriate type and number of MOP(s), except that the test voltage is applied between the wire and the mandrel. The test voltage is at least the appropriate voltage in Table 6 and Table 7 (see 8.8.3) with a minimum of:

- 1 500 V for BASIC INSULATION or SUPPLEMENTARY INSULATION; or
- 3 000 V for REINFORCED INSULATION.

Table L.1– Mandrel diameter

NOMINAL conductor diameter mm	Mandrel diameter mm ± 0,2 mm
0,05 – 0,34	4,0
0,35 – 0,49	6,0
0,50 – 0,74	8,0
0,75 – 2,49	10,0
2,50 – 5,00	four times the conductor diameter ^a

^a In accordance with IEC 60317-43 [9].

The tension to be applied to the wire during winding on the mandrel is calculated from the wire diameter to be equivalent to 118 MPa ± 11,8 MPa (118 N/mm² ± 11,8 N/mm²).

L.3.3 Heat shock

The sample is subjected to test 9 of IEC 60851-6:1996, followed by the dielectric strength test of 8.8.3 for the appropriate type and number of MOP(s), except that the test voltage is applied between the wire and the mandrel. The voltage is not less than the appropriate voltage in Table 6 and Table 7 (see 8.8.3) with a minimum of:

- 1 500 V for BASIC INSULATION or SUPPLEMENTARY INSULATION; or
- 3 000 V for REINFORCED INSULATION.

The oven temperature is the relevant temperature for the thermal class of insulation in Table L.2.

The mandrel diameter and tension applied to the wire during winding on the mandrel are as in L.3.2.

The electric strength test is conducted at room temperature after removal from the oven.

Table L.2 – Oven temperature

Thermal class	A (105)	E (120)	B (130)	F (155)	H (180)
Oven temperature °C ± 5 °C	200	215	225	240	260

L.3.4 Retention of electric strength after bending

Five samples are prepared as in L.3.2 above and tested as follows. Each sample is removed from the mandrel, placed in a container and positioned so that it can be surrounded by at least 5 mm of metal shot. The ends of the conductor in the sample are to be sufficiently long to avoid flash over. The shot is to be not more than 2 mm in diameter and consists of balls of stainless steel, nickel or nickel plated iron. The shot is gently poured into the container until the sample under test is covered by at least 5 mm of shot. The shot is cleaned periodically with a suitable solvent (for example, 1,1,1-trichloroethane).

NOTE The above test PROCEDURE is reproduced from 4.6.1.c) of IEC 60851-5:1988 (second edition including amendment 1), now withdrawn. It is not included in the third edition of that standard.

The test voltage is at least the appropriate test voltage in Table 6 and Table 7 (see 8.8.3) for the appropriate type and number of MOP(s), with a minimum of:

- 1 500 V for BASIC INSULATION or SUPPLEMENTARY INSULATION; or
- 3 000 V for REINFORCED INSULATION.

The test voltage is applied between the shot and the conductor.

The mandrel diameter and tension applied to the wire during winding on the mandrel are as in L.3.2.

L.4 Tests during manufacture

L.4.1 General

The wire is subjected by the wire manufacturer to electric strength tests during manufacture as specified in L.4.2 and L.4.3.

L.4.2 Routine testing

The test voltage for routine testing is to be the appropriate voltage in Table 6 and Table 7 (see 8.8.3) for the appropriate type and number of MOP(s), with a minimum of:

- 1 500 V r.m.s. or 2 100 V peak for BASIC INSULATION or SUPPLEMENTARY INSULATION; or
- 3 000 V r.m.s. or 4 200 V peak for REINFORCED INSULATION.

L.4.3 Sampling tests

Twisted pair samples are tested in accordance with IEC 60851-5:1996, Subclause 4.4.1. The minimum breakdown voltage is twice the appropriate voltage in Table 6 and Table 7 (see 8.8.3) for the appropriate type and number of MOP(s), with a minimum of:

- 3 000 V r.m.s. or 4 200 V peak for BASIC INSULATION or SUPPLEMENTARY INSULATION; or
- 6 000 V r.m.s. or 8 400 V peak for REINFORCED INSULATION.

Bibliography

- [1] IEC 60050-151:2001, *International Electrotechnical Vocabulary (IEV) – Part 151: Electrical and magnetic devices*
- [2] IEC 60050-195:1998, *International Electrotechnical Vocabulary (IEV) – Part 195: Earthing and protection against electric shock*
Amendment 1 (2001)
- [3] IEC 60050-441:2001, *International Electrotechnical Vocabulary (IEV) – Chapter 441: Switchgear, controlgear and fuses*
- [4] IEC 60050-826:2004, *International Electrotechnical Vocabulary (IEV) – Part 826: Electrical installations*
- [5] IEC 60073, *Basic and safety principles for man-machine interface, marking and identification – Coding principles for indication devices and actuators*
- [6] IEC 60086-1, *Primary batteries - Part 1: General*
- [7] IEC 60127-6, *Miniature fuses – Part 6: Fuse holders for miniature fuse links*
- [8] IEC 60309-1, *Plugs, socket-outlets and couplers for industrial purposes – Part 1: General requirements*
- [9] IEC 60317-43, *Specifications for particular types of winding wires – Part 43: Aromatic polyimide tape wrapped round copper wire, class 240*
- [10] IEC 60364-7-710, *Electrical installations of buildings – Part 7-710: Requirements for special installations or locations – Medical locations*
- [11] IEC 60479-1:1994, *Effects of current on human beings and livestock – Part 1: General aspects*
- [12] IEC 60513:1994, *Fundamental aspects of safety standards for medical electrical equipment*
- [13] IEC 60601-1-1:2000, *Medical electrical equipment – Part 1-1: General requirements for safety – Collateral standard: Safety requirements for medical electrical systems*
- [14] IEC 60601-1-4:1996, *Medical electrical equipment – Part 1: General requirements for safety – 4. Collateral standard: Programmable electrical medical systems*
Amendment 1 (1999)²¹⁾
- [15] IEC 60601-2-4, *Medical electrical equipment – Part 2-4: Particular requirements for the safety of cardiac defibrillators*
- [16] IEC 60601-2-49:2001, *Medical electrical equipment – Part 2-49: Particular requirements for the safety of multifunction patient monitoring equipment*
- [17] IEC 60695-1-1, *Fire hazard testing – Part 1-1: Guidance for assessing the fire hazard of electrotechnical products – General guidelines*
- [18] IEC 60721 (all parts), *Classification of environmental conditions*

²¹⁾ There exists a consolidated edition 1.1 (2000) including IEC 60601-1-4 (1996) and its Amendment 1 (1999).

- [19] IEC 60788:2004, *Medical electrical equipment – Glossary of defined terms*
- [20] IEC 60990, *Methods of measurement of touch current and protective conductor current*
- [21] IEC 61000-4-11, *Electromagnetic compatibility (EMC) – Part 4-11: Testing and measurement techniques – Voltage dips, short interruptions and voltage variations immunity tests*
- [22] IEC 61010-1:2001, *Safety requirements for electrical equipment for measurement, control, and laboratory use – Part 1: General requirements*
- [23] IEC 61140:2001, *Protection against electric shock – Common aspects for installation and equipment*
- [24] IEC 61258, *Guidelines for the development and use of medical electrical equipment educational materials*
- [25] IEC 62079:2001, *Preparation of instructions – Structuring, content and preparation*
- [26] IEC 62304, *Medical device software – Software life-cycle processes* ²²⁾
- [27] ISO 407, *Small medical gas cylinders – Pin-index yoke-type valve connections*
- [28] ISO 5805, *Mechanical vibration and shock – Human exposure – Vocabulary*
- [29] ISO 8041, *Human response to vibration – Measuring instrumentation*
- [30] ISO 13485, *Medical devices – Quality management systems – Requirements for regulatory purposes*
- [31] ISO 14708-1, *Implants for surgery – Active implantable medical devices – General requirements for safety, marking and for information to be provided by the manufacturer*
- [32] IEC-DB:2002, *International Electrotechnical Vocabulary*
- [33] ISO/IEC Guide 51:1999, *Safety aspects – Guidelines for their inclusion in standards*
- [34] ACGIH Threshold Limit Values and Biological Exposure Indices (2000 handbook)
ISBN: 1-882417-36-4
- [35] ASTM STP 1262, *Environmental Toxicology and Risk Assessment, 4th Volume*, Editor(s): T.W. La Point, F. T. Price, E.E. Little, Published 1996, ISBN:0-8031-1998-4
- [36] ASTM STP 1267, *Flammability and Sensitivity of Materials in Oxygen-Enriched Atmospheres: 7th Volume*, Editor(s): Janoff/Royals/Gunaji, Published 1996, ISBN:0-8031-2004-4
- [37] ASTM STP 1395, *Flammability and Sensitivity of Materials in Oxygen-Enriched Atmospheres*, Ninth Volume, Editor(s): T.A. Steinberg; B.E. Newton; H.D. Beeson, Published 2000, ISBN:0-8031-2871-1
- [38] EN 563, *Safety of machinery – Temperatures of touchable surfaces – Ergonomic data to establish temperature limit values for hot surfaces*

²²⁾ To be published.

- [39] ICRP Publication 60:1990 *Recommendations of the International Commission on Radiological Protection*, Annals of the ICRP Volume 21/1-3, International Commission on Radiological Protection, 1992
- [40] MIL-HDBK-217:1995, *Reliability prediction of electronic equipment*
- [41] NFPA 53:1999, *Recommended practice on materials, equipment and systems used in oxygen-enriched atmospheres*
- [42] NFPA 99:2002, *Standard for Health Care Facilities*
- [43] UL 1439:1998, *Test for sharpness of edges on equipment*
- [44] UL 2601-1:1997, *Medical Electrical Equipment, Part 1: General Requirements for Safety*
- [45] DALZIEL, CF., Re-evaluation of lethal electric currents. *IEEE Transactions on Industry and General Applications*, September/October 1968, Vol. 1 GA-4, No. 5
- [46] DOLAN, AM., HORACEK, BM., RAUTAHARAJU, PM., *Medical Instrumentation* (abstract), January 12, 1953, 1978
- [47] GREEN, HL., *Electrical Safety Symposium Report*. Department of Health and Social Security, United Kingdom, October 1975
- [48] KEESEY, JC. and LETCHER, FS., Human thresholds of electric shock at power transmission frequencies. *Arch. Environ. Health*, October 1970, Vol. 21
- [49] ROY, OZ., 60 Hz Ventricular fibrillation and rhythm thresholds and the non-pacing intracardiac catheter. *Medical and Biological Engineering*, March 1975
- [50] RAFFERTY, E B., GREEN, HL., YACOUB, MH., Disturbances of heart rhythm produced by 50 Hz leakage currents in human subjects. *Cardiovascular Research*, March 1975, Vol. 9, No. 2, pp. 263-265
- [51] SANDERS, MS. and McCORMICK, EJ., *Human Factors In Engineering and Design*, 7th Ed., McGraw-Hill, Inc., ISBN 0-07-054901-X
- [52] SCHWARTZ, SI., SHIRES, GT., SPENCER, FC., STORER, EH., *Principles of Surgery*, 7th Ed., McGraw-Hill, Inc., ISBN 0-07-054256-2
- [53] STARMER, CF. and WHALEN, RE., Current density and electrically induced ventricular fibrillation. *Medical Instrumentation*, January-February 1973, Vol. 7, No. 1.
- [54] WATSON, AB. and WRIGHT, JS., Electrical thresholds for ventricular fibrillation in man. *Medical Journal of Australia*, June 16, 1973

INDEX

A

Abnormal condition • 73, 75
 ACCESS COVER • 95, 139, 143, 245, 257
 Definition • 41
 ACCESSIBLE PART • 49, 135, 141, 147, 173, 251, 427, 429, 443, 455, 467, 469, 477
 Actuating mechanisms • 99
 Defibrillation protection • 491
 Definition • 41
 Determination of • 95, 137, 455, 471, 613
 Fuse-holder • 111
 LEAKAGE CURRENTS • 139, 473
 MAXIMUM MAINS VOLTAGE on • 473
 MEANS OF PROTECTION • 145, 479
 Metal • 149, 197, 243, 493, 515
 Moving • 341
 of ENCLOSURES • 411
 TOUCH CURRENT • 477
 Voltage limits for • 339
 ACCESSORY • 93, 105, 157, 273, 295, 461, 539, 563
 ACCOMPANYING DOCUMENTS definition • 41
 Biocompatibility • 333
 Cleaning • 129, 331
 Definition • 41
 Disposal • 131
 List of • 131
 ME EQUIPMENT definition • 61
 Means of attachment • 291
 Minimum marking • 105
 MODEL OR TYPE REFERENCE definition • 63
 Multiple cleanings/disinfections • 331
 Operating instructions • 129
 Other power source • 109
 Pneumatic and hydraulic parts • 285
 Single use • 105
 Start-up PROCEDURE • 129
 Sterile • 111
 Sterilization • 331
 ACCOMPANYING DOCUMENT • 59, 69, 93, 95, 105, 107, 113, 115, 123, 125, 135, 137, 261, 273, 277, 279, 283, 291, 295, 301, 329, 363, 389, 395, 399, 403, 447, 457, 463, 465, 491, 515, 539, 625, 661
 COMPONENT WITH HIGH-INTEGRITY CHARACTERISTICS • 425
 Consult • 105, 459, 629
 Defibrillation voltage and any recovery time • 153
 Definition • 41
 Inspection • 87, 137, 279, 295, 301, 367, 379
 Instructions for use • 123, 625
 ME SYSTEM • 389, 603
 MODEL OR TYPE REFERENCE • 433
 Recovery time • 157
 Surface temperature • 405
 Technical description • 123, 627
 Active implantable medical device • 61
 AIR CLEARANCE • 61, 135, 141, 145, 147, 149, 151, 153, 211, 213, 215, 217, 221, 223, 227, 229, 231, 233, 235, 237, 247, 253, 255, 257,

277, 311, 361, 391, 397, 431, 439, 441, 471, 479, 521, 523, 527, 529, 531, 543, 561, 575, 615, 663
 Complying with IEC 60950-1 • 213, 481
 DEFIBRILLATION-PROOF APPLIED PARTS • 221, 527
 Definition • 41
 High altitude • 215
 Interpolation • 215, 527
 MEANS OF OPERATOR PROTECTION • 145
 MEANS OF PATIENT PROTECTION • 145
 Short circuit of • 135
 Values • 213
 Ambient humidity • 91, 111, 367, 465, 737
 Ambient illuminance • 103
 Ambient pressure • 65, 91, 437, 465
 Ambient temperature • 49, 91, 211, 309, 313, 381, 465, 563, 599, 665, 673, 675
 APPLIANCE COUPLER • 43, 51, 57, 127, 247, 251, 533
 Definition • 41
 APPLIANCE INLET • 41, 57, 115, 163, 193, 237, 273
 Definition • 43
 APPLIED PART • 41, 51, 53, 61, 65, 73, 77, 79, 83, 99, 109, 135, 139, 147, 149, 151, 153, 155, 157, 167, 171, 173, 193, 197, 199, 307, 309, 331, 337, 339, 395, 411, 419, 421, 423, 449, 467, 473, 507, 525, 575, 605, 713, 731, 733
 Classification • 101, 137
 Cold • 309
 Definition • 43
 Determination of • 95, 613
 DIRECT CARDIAC APPLICATION • 51, 137, 425
 HAND-HELD • 593
 Intended to supply heat • 307
 Marking of • 109
 Maximum surface temperature • 563
 Maximum temperature • 337
 MEANS OF PROTECTION • 145
 Moving • 341
 Multiple • 149, 483
 Not intended to supply heat • 307, 563
 Specified in the instructions for use • 127

B

BASIC INSULATION • 49, 51, 73, 201, 203, 389, 399, 423, 425, 433, 441, 451, 473, 479, 495, 517, 521, 525, 607, 737, 739, 741
 Definition • 43
 MEANS OF PROTECTION • 469
 BASIC SAFETY • 29, 31, 41, 157, 351, 353, 357, 401, 407, 409, 423, 433, 443, 445, 447, 449, 451, 453, 457, 461, 463, 467, 477, 491, 543, 561, 563, 579, 599, 603, 605, 609
 Defibrillation protection • 153
 Definition • 49
 Biocompatibility • 333, 443, 593, 613

C

- CATEGORY AP • 329, 569, 611, 619, 621, 625, 657, 659, 661, 663, 665
 - Definition • 49
 - Symbol • 637
- CATEGORY APG • 329, 569, 611, 619, 621, 625, 659, 661, 663, 665, 675
 - Definition • 49
 - Symbol • 637
- CLASS I • 69, 99, 101, 125, 195, 257, 391, 397, 399, 451, 463, 473, 493, 507, 533, 607
 - Definition • 49
- CLASS II • 49, 99, 101, 107, 167, 257, 429, 497, 627, 633, 721
 - Definition • 49
- Class III • 457
- CLEARLY LEGIBLE • 103, 111, 115, 275, 457
 - Definition • 49
- COLD CONDITION • 343, 617
 - Definition • 49
- Comparative tracking index • 217
- COMPONENT WITH HIGH-INTEGRITY
 - CHARACTERISTICS • 83, 85, 87, 135, 355, 381, 425, 451, 587
 - Definition • 49
- CONTINUOUS OPERATION • 101, 111, 311, 349, 393, 425, 457, 577, 675
 - Definition • 51
 - DUTY CYCLE • 425
 - Non- • 101, 111, 311, 345, 347, 351, 393, 425, 457, 577
- CREEPAGE DISTANCE • 61, 135, 141, 145, 147, 149, 151, 153, 203, 211, 213, 215, 223, 225, 233, 235, 237, 247, 253, 255, 257, 277, 311, 361, 391, 397, 431, 439, 471, 479, 485, 521, 523, 527, 529, 531, 543, 561, 575, 615, 663
 - Complying with IEC 60950-1 • 213, 481
 - DEFIBRILLATION-PROOF APPLIED PARTS • 221, 527
 - Definition • 51
 - High altitude • 215
 - Interpolation • 215, 527
 - MEANS OF OPERATOR PROTECTION • 145, 221
 - MEANS OF PATIENT PROTECTION • 145
 - Short circuit of • 135
 - Values • 213
 - WORKING VOLTAGE above 1 000 V • 527

D

- DEFIBRILLATION-PROOF APPLIED PART • 153, 425, 461, 489, 491, 493
 - Classification • 101, 149, 153
 - Common-mode test • 153
 - CREEPAGE DISTANCES and AIR CLEARANCES • 221
 - Definition • 51
 - Differential-mode test • 155
 - Energy reduction test • 157
 - Marking of • 109
 - WORKING VOLTAGE • 153, 489
- DETACHABLE POWER SUPPLY CORD • 193, 273, 425, 485, 663
 - Definition • 51
 - Non- • 133, 163, 255, 533, 607

- Diagnostic or therapeutic radiation • 335, 337
- DIRECT CARDIAC APPLICATION • 77, 137, 425, 443, 475, 499, 603
 - Definition • 51
- DOUBLE INSULATION • 49, 85, 135, 151, 425, 451, 471, 479, 481, 521, 525, 535, 737
 - Definition • 51
 - MEANS OF PROTECTION • 51, 469
 - Short circuiting • 167, 497
 - WORKING VOLTAGE • 489
- DUTY CYCLE • 123, 309, 347, 425, 563
 - Definition • 51
 - Marking of • 111

E

- EARTH LEAKAGE CURRENT • 57, 167, 171, 195, 435, 501, 721
 - Definition • 51
 - Measurement • 173, 195, 513
 - MULTIPLE SOCKET-OUTLET • 605
 - Total • 393
 - Value • 167, 169
 - Value for a MULTIPLE SOCKET-OUTLET • 393
- Electrical equipment • 39, 125, 135, 137, 191, 399, 405, 455, 599, 601
 - ACCESS COVER definition • 41
 - ACCESSIBLE PART definition • 41
 - APPLIANCE COUPLER definition • 41
 - APPLIANCE INLET definition • 43
 - CLASS II definition • 49
 - COLD CONDITION definition • 49
 - DETACHABLE POWER SUPPLY CORD definition • 51
 - HAND-HELD definition • 55
 - INTERNAL ELECTRICAL POWER SOURCE definition • 57
 - INTERNALLY POWERED definition • 57
 - MAINS CONNECTOR definition • 57
 - MAINS PLUG definition • 57
 - MAINS TRANSIENT VOLTAGE definition • 59
 - ME EQUIPMENT definition • 61
 - PEAK WORKING VOLTAGE definition • 65
 - POTENTIAL EQUALIZATION CONDUCTOR definition • 67
 - POWER SUPPLY CORD definition • 67
 - SELF-RESETTING THERMAL CUT-OUT definition • 73
 - SIGNAL INPUT/OUTPUT PART definition • 73
 - TERMINAL DEVICE definition • 75
 - THERMAL CUT-OUT definition • 75
 - WORKING VOLTAGE definition • 79
- ENCLOSURE • 57, 77, 143, 149, 151, 153, 167, 191, 195, 197, 201, 205, 237, 247, 263, 321, 323, 411, 427, 443, 469, 471, 475, 491, 501, 521, 523, 525, 539, 545, 605, 611, 657, 659, 663, 665, 673, 675, 713
 - ACCESS COVER • 41, 455
 - ACCESSIBLE PART • 411
 - Ball-pressure test • 211
 - Definition • 51
 - Deformation of • 337
 - Fire • 313, 323, 325, 339, 543, 569, 575, 617
 - HAND HELD switches and footswitches • 531
 - HIGH VOLTAGE parts • 463
 - Impact • 363, 593

- Impairment of cooling • 341
 - IP Classification • 101, 109, 331, 379, 409, 455, 571
 - Main • 195, 497
 - ME SYSTEM • 391, 599
 - Minimum marking • 105
 - Moulded • 367
 - MULTIPLE SOCKET-OUTLET • 397
 - Opening in • 141, 663
 - Rigidity • 363, 593
 - Separate • 137
 - TOUCH CURRENT • 77, 513
 - Equipment • 39, 105, 109, 127, 131, 359, 387, 389, 391, 393, 397, 399, 411, 433, 435, 441, 451, 457, 525, 533, 539, 541, 559, 571, 591, 597, 599, 603, 605, 607, 703, 713
 - ACCESSORY definition • 41
 - ACCOMPANYING DOCUMENTS definition • 41
 - Class III • 457
 - GUARD definition • 53
 - MAINS SUPPLY TRANSFORMER definition • 57
 - ME SYSTEM definition • 61
 - MOBILE • 77
 - MOBILE definition • 61
 - MODEL OR TYPE REFERENCE definition • 63
 - NETWORK/DATA COUPLING • 359
 - NETWORK/DATA COUPLING definition • 63
 - PERMANENTLY INSTALLED • 645
 - Polyphase • 487
 - PORTABLE • 77
 - PROTECTIVE EARTH TERMINAL definition • 69
 - SAFE WORKING LOAD definition • 71
 - Separate power supply • 93
 - SERVICE PERSONNEL definition • 73
 - STATIONARY definition • 73
 - TRANSPORTABLE definition • 67, 77
 - TRAPPING ZONE definition • 77
 - TYPE TEST definition • 79
 - USABILITY ENGINEERING definition • 79
 - ESSENTIAL PERFORMANCE • 29, 31, 41, 81, 157, 351, 353, 355, 357, 401, 407, 409, 425, 427, 433, 445, 447, 451, 453, 461, 491, 543, 545, 579, 583, 585, 609, 613, 693
 - d.c. SUPPLY MAINS • 137
 - Defibrillation protection • 153
 - Definition • 51
 - VERIFICATION • 357, 589
 - EXPECTED SERVICE LIFE • 49, 73, 81, 83, 85, 99, 103, 123, 137, 163, 211, 291, 303, 331, 367, 447, 449, 451, 493, 519, 555
 - Definition • 53
 - Disposal • 131
- F**
- Fire • 113, 259, 313, 321, 323, 325, 327, 329, 373, 401, 477, 533, 551, 565, 567, 569, 575, 601, 617
 - FIXED
 - APPLIANCE INLET • 43
 - Connections • 493
 - Definition • 53
 - GUARD • 263
 - Installations • 435
 - Mains socket-outlets • 435
 - ME EQUIPMENT • 103, 195, 271, 275, 325, 361, 593
 - POWER SUPPLY CORD • 67
 - PROTECTIVE EARTH CONDUCTOR • 161
 - Supply conductors • 161
 - SUPPLY MAINS • 53
 - Terminals • 257
 - Wiring • 257
 - FLAMMABLE ANAESTHETIC MIXTURE WITH AIR • 49, 569, 659, 673
 - Definition • 53
 - FLAMMABLE ANAESTHETIC MIXTURE WITH OXYGEN OR NITROUS OXIDE • 49, 659, 661, 663, 675, 683
 - Definition • 53
 - Flammable anaesthetic mixtures • 405, 611, 657
 - F-TYPE APPLIED PART • 65, 77, 149, 151, 197, 413, 415, 483, 485, 505, 523
 - Classification • 53
 - Definition • 53
 - F-TYPE ISOLATED (FLOATING) APPLIED PART • See F-TYPE APPLIED PART
 - Function • 41, 43, 49, 81, 103, 113, 117, 123, 125, 127, 129, 133, 149, 153, 165, 199, 203, 261, 297, 299, 301, 321, 333, 339, 355, 357, 369, 371, 375, 395, 403, 413, 417, 419, 421, 423, 427, 437, 451, 473, 483, 491, 495, 505, 509, 517, 539, 541, 585, 589, 591, 621, 625, 687, 693, 695, 701, 709
 - FUNCTIONAL CONNECTION • 61, 391, 393, 427
 - Definition • 53
 - FUNCTIONAL EARTH CONDUCTOR • 49, 121
 - Definition • 53
 - FUNCTIONAL EARTH TERMINAL • 49, 53, 157, 165, 167, 191, 429
 - Definition • 53
 - Marking of • 113, 115
 - Fuseholder • 95, 139, 455
- G**
- GUARD • 261, 539
 - ACCESS COVER • 41
 - Definition • 53
 - FIXED • 263
 - Hot or cold accessible surfaces • 313
 - Movable • 267
 - TRAPPING ZONE • 263
- H**
- HAND-HELD
 - APPLIED PART • 593
 - Control device • 245, 377, 379
 - Definition • 55
 - ME EQUIPMENT • 89, 271, 309, 343, 351, 361, 363, 593
 - Part • 245, 363
 - Switches and footswitches • 531
 - HARM • 55, 71, 111, 267, 269, 277, 361, 427, 429, 447, 449, 537, 543, 545, 549, 551, 559, 563, 575, 705
 - Definition • 55
 - HAZARD • 29, 49, 55, 61, 63, 71, 73, 77, 81, 111, 113, 133, 135, 261, 267, 269, 271, 279, 291, 309, 353, 369, 371, 373, 387, 395, 401,

- 405, 411, 425, 429, 433, 439, 445, 447, 449, 451, 453, 455, 459, 461, 463, 465, 467, 485, 487, 501, 507, 529, 533, 537, 539, 541, 549, 551, 553, 565, 571, 573, 575, 585, 587, 593, 595, 597, 601, 603, 605, 613, 621, 625, 663, 695, 701, 703, 705, 713
 Definition • 55
 Excessive temperatures • 305, 561
 Expelled parts • 261, 281, 545, 617
 Impairment of cooling • 341
 Instability • 271, 543, 615
 Moving parts • 615
 Rough surfaces, corners and edges • 271, 541, 615
 Support systems • 291, 551, 617
 Temperature of APPLIED PARTS • 563
 Unwanted and excessive radiation • 301, 561
- HAZARDOUS SITUATION • 85, 135, 137, 175, 259, 323, 337, 339, 429, 447, 569, 573, 579, 605, 607, 617
 Adjustment of controls • 375
 Battery replacement • 373
 Damage during assembly • 245
 Damage to insulation • 245
 Definition • 55
 Detachment of conductors and connectors • 137, 243, 245
 Exhaustion of a battery • 597
 Failure of any one component at a time • 337
 Failure of components • 85
 Failure of the NETWORK/DATA COUPLING • 359
 Heaters • 373
 Incorrect connection • 395
 Ingress of water and particulate matter • 331, 571
 Interruption of SUPPLY MAINS • 333
 Interruption of the power supply • 395, 571
 Limitation of movement • 377
 Marking of supply terminals • 115
 Overflow • 329
 Overheating of transformers • 381, 383
 Poor contact • 243
 Prolonged operation • 373
 Short circuiting of a battery • 371
 Short circuiting of CREEPAGE DISTANCES OR AIR CLEARANCES • 233
 Speed of movement • 269
 Spillage • 329, 331
 THERMAL CUT-OUTS and OVER-CURRENT RELEASES • 369
 Transformer failure • 385
- Health care professional • 435
- HIGH VOLTAGE • 111
 Defibrillation protection • 491
 Definition • 55
 Part • 463, 657
 Part, Marking of • 113, 629
- Humidity preconditioning • 93, 167, 203, 235, 385, 455, 521, 615
- HYDRAULIC TEST PRESSURE • 287, 289
 Definition • 55
- I**
- Instructions for use • 63, 89, 91, 93, 95, 101, 109, 111, 121, 123, 125, 127, 133, 139, 141, 157, 165, 193, 199, 203, 261, 273, 275, 297, 307, 329, 331, 391, 403, 437, 449, 455, 459, 463, 491, 601, 625, 661
 Inspection • 131, 141, 309
- INSULATION CO-ORDINATION
 Definition • 55
 IEC 60950-1 • 145, 147, 201, 213, 441, 445
- INTENDED USE • 41, 67, 263, 283, 359, 367, 427, 431, 437, 465, 493, 529, 539, 569, 595, 705, 709
 Definition • 55
 NORMAL USE definition • 63
- INTERNAL ELECTRICAL POWER SOURCE • 57, 71, 87, 127, 373, 375, 463
 Definition • 57
- INTERNALLY POWERED • 99, 101, 151, 193, 195, 219, 221, 489
 Definition • 57
- IP Classification • 101, 109, 379, 397
- L**
- Lampholder • 113, 139, 313
 Layperson • 69, 435
- LEAKAGE CURRENT • 57, 77, 139, 141, 149, 167, 169, 191, 193, 339, 391, 393, 411, 439, 453, 469, 473, 479, 483, 485, 487, 497, 499, 501, 505, 507, 511, 513, 533, 605, 607, 615, 713, 715
 Definition • 57
 Measurement • 137, 149, 165, 173, 193, 329, 331, 395, 455, 473, 499, 511, 513
 TYPE B APPLIED PART • 485
- M**
- MAINS CONNECTOR • 41, 57, 251, 253, 485, 487, 533
 Definition • 57
- MAINS PART • 51, 93, 167, 201, 205, 207, 211, 217, 219, 223, 227, 229, 233, 245, 247, 257, 259, 431, 441, 453, 467, 517, 523, 525, 529, 535, 617
 Definition • 57
 Overvoltage category • 219
 Separation from SECONDARY CIRCUIT • 71
- MAINS PLUG • 135, 163, 167, 247, 249, 397, 399, 431, 479, 607, 609
 Definition • 57
- MAINS SUPPLY TRANSFORMER • 379, 399, 597, 599, 617
 Definition • 57
- MAINS TERMINAL DEVICE • 255, 259, 397, 535, 623
 Definition • 57
- MAINS TRANSIENT VOLTAGE • 217, 219, 227, 247
 Definition • 59
- MAINS VOLTAGE • 151, 173, 191, 227, 229, 415, 431, 505, 507, 511, 515, 525, 667, 677
 Definition • 59
 NOMINAL • 63, 217
 RATED • 167, 217, 303, 393, 487, 489

- MANUFACTURER • 55, 61, 63, 69, 71, 81, 101, 127, 131, 133, 135, 149, 163, 195, 215, 237, 253, 281, 283, 287, 289, 291, 295, 303, 305, 309, 321, 329, 331, 333, 335, 337, 351, 353, 357, 359, 367, 371, 375, 399, 405, 409, 419, 423, 425, 445, 451, 453, 457, 459, 461, 463, 465, 481, 483, 487, 493, 513, 535, 549, 551, 555, 563, 569, 571, 575, 579, 581, 583, 585, 591, 593, 595, 609, 701, 715
 Definition • 59
 Equivalent safety • 83, 447
 EXPECTED SERVICE LIFE • 53, 81, 447
 Flammable anaesthetic mixtures • 611
 Identification of ESSENTIAL PERFORMANCE • 81
 INTENDED USE • 125
 Marking of name or trade-name • 105, 123
 ME SYSTEM • 387, 389, 433, 445, 599, 601, 605
 PEMS • 703, 707, 709
 Qualification of SERVICE PERSONNEL • 133
 Reasonably foreseeable misuse • 445
 Risk acceptability • 81
 Single use • 129
 Specification of overvoltage category • 89
 System integration • 701
 USABILITY ENGINEERING • 101
- Material group classification • 217
- MAXIMUM MAINS VOLTAGE • 135, 149, 151, 167, 173, 197, 391, 431, 473, 487, 505, 515, 729
 Definition • 59
- MAXIMUM PERMISSIBLE WORKING PRESSURE • 285, 287, 289, 291, 431, 549, 551
 Definition • 59
- ME EQUIPMENT
 PERMANENTLY INSTALLED • 535
 See MEDICAL ELECTRICAL EQUIPMENT • 61
- ME SYSTEM
 See MEDICAL ELECTRICAL SYSTEM • 61
- MEANS OF OPERATOR PROTECTION • 145, 221, 381, 391, 433, 479, 481, 527, 763
 Additional AIR CLEARANCE • 229
 Capacitors • 147
 Classification • 145, 147
 Definition • 59
 IEC 60950-1 • 147, 161, 201, 213, 215
 Minimum AIR CLEARANCE • 227, 231
 Minimum CREEPAGE DISTANCE • 221, 233
 PROTECTIVE EARTH CONNECTION • 147
 Solid insulation forming • 145
 Test voltage for • 209
 Test voltage for solid insulation • 207
- MEANS OF OPERATOR PROTECTION
 Coatings, etc. complying with IEC 60950-1 • 145
- MEANS OF PATIENT PROTECTION • 161, 215, 323, 413, 415, 433, 479, 481, 663, 675, 763
 Capacitors • 145, 147
 Classification • 145, 147
 Coatings, etc. complying with IEC 60950-1 • 145
 Definition • 59
 F-TYPE APPLIED PART • 149, 483
 PATIENT CONNECTION • 149
 PROTECTIVE EARTH CONNECTION • 145
 Solid insulation forming • 145
 Spacing • 225, 525
 Test voltage for solid insulation • 207
 TYPE B APPLIED PART • 149
- MEANS OF PROTECTION • 43, 51, 57, 59, 145, 251, 257, 737, 739, 741, 763
 AIR CLEARANCE • 233
 Ball-pressure test • 345
 Classification • 145, 147
 Coatings, etc. not considered as • 145
 Components and wiring • 145
 Components used as • 85
 CREEPAGE DISTANCE OF AIR CLEARANCE not considered as • 145
 CREEPAGE DISTANCE OF AIR CLEARANCE • 145, 237, 255
 Definition • 61
 DOUBLE INSULATION • 151
 Insulating characteristics and mechanical strength • 211
 Insulating material in which heating conductors are embedded • 213
 Internal screens and internal wiring • 167
 Opposite polarity of the MAINS PART • 201
 Pollution degree 4 • 217
 REINFORCED INSULATION • 69, 201
 SECONDARY CIRCUIT • 71
 Separation from MAINS PART • 245
 Sheath of a flexible cord • 247
 Short circuit of • 135, 255, 257, 311
 Short circuit of CREEPAGE DISTANCE OF AIR CLEARANCE • 135
 SUPPLEMENTARY INSULATION • 73, 201
 Test voltage for • 385, 523
 Test voltage for solid insulation • 207
 Transformers forming • 387
 Wetting of • 329
 WORKING VOLTAGE for • 151
- MECHANICAL HAZARD • 259, 263, 267, 339, 343, 395, 405, 537, 607
 Definition • 61
- MECHANICAL PROTECTIVE DEVICE • 83, 293, 297, 299, 301, 559, 621
 Definition • 61
 When not required • 301
- Medical device • 29, 59, 79, 405, 581, 693
- MEDICAL ELECTRICAL EQUIPMENT • 379
 a.c SUPPLY MAINS • 93
 Accessibility of connections • 257
 Acoustic energy and vibration • 281
 Adapting • 59
 Applicability of requirements • 29
 Arrangement of controls and indicators • 359
 Automatically or remotely controlled • 341
 Battery • 127, 371
 Battery replacement • 373
 Biocompatibility • 333
 CATEGORY AP • 657, 659, 661, 663, 665
 CATEGORY APG • 659, 661, 663, 665, 675
 CLASS I • 125, 195, 257
 CLASS II • 107, 167, 257
 Classification • 99
 Cleaning • 129, 331
 Compatibility with substances • 333
 Component • 81, 85, 327
 COMPONENT WITH HIGH-INTEGRITY CHARACTERISTICS • 49, 85
 Condition for application • 79

- Conductors and connectors • 243
- Connection to SUPPLY MAINS • 135
- Connectors • 369
- CONTINUOUS OPERATION • 101, 111, 311
- Contraindication • 125
- Controls • 375
- Cooling provisions • 111
 - d.c. • 151
 - d.c. SUPPLY MAINS • 93, 137
- Definition • 61
- Description • 127, 133
- Diagnostic or therapeutic radiation • 337
- Disabling of controls • 347
- Disposal • 131
- DUTY CYCLE • 51, 347
- Educational materials • 125
- Emergency stop • 267, 269, 271
- Equivalent safety • 83
- Excessive radiation • 335
- EXPECTED SERVICE LIFE • 81, 83, 85, 99, 103, 137, 163, 211, 291, 303, 367
- Expelled parts • 281
- FIXED • 103, 195, 275, 325
- FIXED OR HAND-HELD • 271
- Fixing of components • 243
- Fluid reservoir • 329
- Foot-operated control device • 377, 379
- Function • 43, 127, 133
- Guiding rollers • 245
- Hand loaded • 351
- HAND-HELD • 89, 309, 343, 351, 363
- HAND-HELD control device • 377
- Heating elements • 309, 345, 347
- Identification • 105, 123
- Identification of ESSENTIAL PERFORMANCE • 81
- In vitro diagnostic equipment • 29
- Indicator lights • 373
- Input supply voltage • 151
- Inspection • 143, 379
- Instability • 273
- Installation • 127
- INTENDED USE • 125, 263, 283, 367
- INTERNALLY POWERED • 99, 151, 193, 195, 219, 221
- Interruption and short circuiting of motor capacitors • 341
- Interruption of SUPPLY MAINS • 333
- IP Classification • 331, 379
- Isolation from SUPPLY MAINS • 133, 247
- Large • 367
- Lithium batteries • 373
- Load-reducing device • 351
- Mains operated • 127
- Manual MOBILE • 277
- Manually switched on • 351
- Maximum supply pressure • 285
- MECHANICAL PROTECTIVE DEVICE • 299
- MEDICAL ELECTRICAL SYSTEM • 61
- MOBILE • 275, 277, 279, 365, 367, 379
- MOBILE Part • 365, 367
- MOBILE, power-driven • 277
- Modification • 133
- Motor • 347
- Motor operated • 309, 343
- Motor-driven MOBILE • 277
- Moving parts • 261, 267, 271
- Multiple cleanings/disinfections • 331
- Multiple PATIENT CONNECTION • 199
- MULTIPLE SOCKET-OUTLET • 109, 125, 249
- Non- • 85, 389, 391, 397
- Non-SI Units • 119
- Oil-filled • 133, 379
- Operating instructions • 129
- Overbalancing • 275
- Overcharging • 373
- Overtravel • 269
- Overvoltage category • 219
- OXYGEN RICH ENVIRONMENT • 101
- Part • 49, 59, 73, 93, 95, 99, 101, 103, 105, 109, 111, 117, 127, 129, 135, 137, 143, 147, 163, 165, 243, 267, 269, 273, 275, 279, 291, 295, 305, 307, 309, 327, 337, 359, 361, 379, 659, 661, 665, 667, 673, 675, 677, 683
- Part biocompatibility • 333
- Part cleaning • 129, 331
- Part sterilization • 331
- Part, HAND-HELD • 363
- Part, heating • 347
- Part, multiple cleanings/disinfections • 331
- Parts that contact the PATIENT • 83
- PATIENT ENVIRONMENT • 65
- PERMANENTLY INSTALLED • 105, 107, 115, 133, 137, 157, 163, 169, 193, 247, 255, 257
- Physiological effects • 111
- Physiological function • 29
- Platen glass • 363
- Pneumatic and hydraulic parts • 285
- Polyphase • 137, 151, 351
- PORTABLE • 279, 281, 365, 379
- PORTABLE part • 365
- Power input • 89
- Pressure control device • 289
- Pressure relief device • 289
- PROTECTIVE EARTH CONNECTION • 121
- RATED altitude • 215
- RATED voltage • 93
- Ready for NORMAL USE • 373
- Rechargeable battery • 131
- Reciprocal interference • 125
- Release of PATIENT • 271
- RESPONSIBLE ORGANIZATION • 69
- RISK
 - of fire • 313
- RISK MANAGEMENT PROCESS • 79
- Rough surfaces, sharp corners and edges • 271
- Routine maintenance • 131
- Separate power supply • 93, 105, 125, 131, 137, 391
- Shutdown PROCEDURE • 129
- SI Units • 117
- SINGLE FAULT CONDITION • 83
- SINGLE FAULT SAFE • 83
- Single use • 105
- Single-phase • 193
- Source of power • 87
- Spark source • 315
- Spillage • 329
- Stand-by or a warm-up state • 373
- Start-up PROCEDURE • 129
- STATIONARY • 253, 325

Sterile • 111
 Sterilization • 331
 SUPPLY MAINS • 89
 Surface • 307
 Surface coating • 165
 Thermostatically controlled • 345
 Timer • 351
 Transformer • 379, 383, 387
 TRANSPORTABLE • 103, 325, 329
 Unpacking • 111
MEDICAL ELECTRICAL SYSTEM • 73, 75, 127, 131, 137, 165, 323, 329, 387, 389, 391, 393, 395, 399
 Adapting • 59
 Applicability or requirements • 29
 Biocompatibility • 333
 Cleaning • 331
 Component • 81
 Components • 85
 Condition for application • 79
 Creation of • 125
 Definition • 61
 Equivalent safety • 83
 EXPECTED SERVICE LIFE • 81
 Function • 43
 Identification of ESSENTIAL PERFORMANCE • 81
 INTENDED USE • 263
 IP Classification • 331
 Multiple cleanings/disinfections • 331
 OXYGEN RICH ENVIRONMENT • 101
 Part • 393
 Parts that contact the PATIENT • 83
 PATIENT ENVIRONMENT • 65
 Physiological function • 29
 Power input • 89
 RESPONSIBLE ORGANIZATION • 69
 RISK MANAGEMENT PROCESS • 79
 Risk of fire • 313
 Spillage • 329
 Sterilization • 331
 SUPPLY MAINS • 89
 Total PATIENT LEAKAGE CURRENT • 393
 TOUCH CURRENT • 393
MOBILE • 277, 545, 595, 625
 Definition • 61
 EQUIPMENT • 77
 ME EQUIPMENT • 275, 277, 279, 361, 365, 379, 593
 ME EQUIPMENT parts • 365, 367
MODEL OR TYPE REFERENCE • 105, 123, 433, 459, 461
 Definition • 63
MOOP
 See MEANS OF OPERATOR PROTECTION • 59
MOP
 See MEANS OF PROTECTION • 61
MOPP
 See MEANS OF PATIENT PROTECTION • 59
MSO
 See MULTIPLE SOCKET-OUTLET • 63
MULTIPLE SOCKET-OUTLET • 61, 109, 125, 249, 389, 391, 393, 397, 399, 433, 435, 533, 603, 605, 607, 621, 713, 715, 721, 763
 Definition • 63

N

NETWORK/DATA COUPLING • 127, 353, 357, 359, 435, 591, 701, 703, 705, 707, 709
 Definition • 63
NOMINAL
 Capacitance • 145, 147
 Conductor diameter • 739
 Cross-sectional area of conductors • 249, 251, 255
 Definition • 63
 Frequency • 89, 107
MAINS VOLTAGE • 63, 89, 217, 219, 227, 229, 231
 Supply voltage • 107
NORMAL CONDITION • 49, 65, 83, 115, 135, 141, 145, 147, 151, 167, 169, 171, 175, 199, 247, 269, 283, 285, 305, 313, 321, 331, 339, 347, 387, 393, 401, 435, 439, 467, 469, 471, 473, 479, 497, 499, 501, 503, 505, 507, 515, 525, 549, 567, 571, 573, 575, 605, 659, 665, 667, 673, 675, 677, 731
 Definition • 63
NORMAL USE • 43, 49, 51, 55, 61, 65, 71, 75, 77, 79, 91, 95, 103, 111, 115, 117, 127, 129, 139, 141, 143, 151, 165, 197, 199, 201, 203, 245, 247, 249, 263, 269, 271, 273, 275, 277, 279, 281, 283, 289, 295, 297, 303, 305, 309, 311, 323, 329, 331, 351, 363, 365, 369, 373, 375, 377, 379, 381, 383, 385, 393, 397, 401, 413, 417, 419, 421, 423, 429, 451, 489, 491, 539, 541, 543, 551, 563, 565, 567, 571, 575, 595, 597, 603, 609, 611, 663, 665, 667, 673, 675, 677
 Definition • 63
 INTENDED USE definition • 55

O

OBJECTIVE EVIDENCE • 69, 79, 81, 601
 Definition • 63
Operating temperature • 115, 167, 173, 203, 305, 393, 521, 565, 615, 665, 673, 675
OPERATOR • 41, 63, 77, 79, 103, 105, 111, 119, 123, 125, 129, 131, 139, 153, 165, 267, 271, 295, 299, 321, 335, 343, 359, 373, 375, 387, 391, 401, 403, 405, 407, 411, 419, 427, 429, 433, 435, 449, 453, 455, 457, 459, 461, 463, 477, 479, 481, 493, 501, 523, 537, 539, 543, 545, 573, 577, 595, 597, 601, 605, 625, 693, 705, 713
 Contact with • 195, 391, 469, 471, 477, 491, 565
 Contact with PATIENT • 139
 Definition • 63
 Emergency stop • 269
 Expected position of • 127, 283, 561
 Exposure to hazardous materials • 127
 Home use • 69
 Mass of • 295, 555
 Moving parts • 263, 269
 Risk to • 629
 Sensitivity to acoustic energy and vibration • 283
 Sensitivity to vibration • 283
 Spurious X-radiation • 303

- Support • 295, 297, 301, 551
- Unwanted or excessive radiation • 335
- OVER-CURRENT RELEASE • 113, 201, 257, 259, 339, 369, 371, 373, 449, 463, 473, 529, 535, 657
 - Definition • 63
- OXYGEN RICH ENVIRONMENT • 101, 313, 317, 319, 321, 323, 343, 437, 565, 567, 569, 601
 - Definition • 65
- P**
- PATIENT • 43, 51, 59, 61, 65, 77, 79, 83, 111, 117, 271, 295, 359, 375, 401, 403, 405, 407, 411, 423, 427, 433, 435, 443, 449, 453, 493, 501, 505, 537, 543, 597, 605, 659
 - Adult human • 295
 - APPLIED PARTS intended to supply heat to • 307
 - APPLIED PARTS not intended to supply heat to • 307
 - Cable • 109, 193, 395, 413, 417, 423, 461, 491, 513
 - Circuit • 413, 415
 - Condition • 511
 - Contact with • 83, 129, 139, 149, 195, 197, 199, 269, 307, 391, 405, 411, 413, 417, 419, 425, 437, 439, 449, 471, 475, 477, 479, 481, 485, 493, 499, 501, 505, 513, 517, 525, 539, 565, 599, 625, 713
 - Current flowing in • 65, 439, 443, 487, 517
 - Defibrillation of • 153, 461, 491
 - Definition • 65
 - Disconnection from • 199, 517
 - Earthing of • 65, 151, 439, 485, 505, 525
 - Electric shock to • 59, 457
 - Expected position of • 127, 129, 283
 - Exposure to hazardous materials • 127
 - Exposure to toxic gases • 321
 - Heart • 51, 425, 469, 603
 - Home use • 69, 435
 - Incorrect delivery of energy or substances • 335, 575
 - Lead • 149, 153, 369, 395, 413, 485
 - Mass of • 295, 555, 621, 625
 - Moving of • 261, 297
 - Moving parts • 261, 263, 271
 - Number of APPLIED PARTS • 505
 - PATIENT ENVIRONMENT • 65
 - Release of • 271, 541
 - Risk to • 427, 509, 629, 705, 709
 - Sensitivity to acoustic energy • 545
 - Sensitivity to acoustic energy and vibration • 281, 283
 - Sensitivity to vibration • 283, 545
 - Special needs • 269, 575
 - Support • 275, 295, 297, 301, 413, 439, 455, 475, 537, 551
 - Support of • 559
 - Transfer of energy • 139, 477
 - Unintended voltage on • 275, 295, 297, 301, 413, 439, 455, 475, 537, 551
 - Unwanted or excessive radiation • 335, 561
 - PATIENT AUXILIARY CURRENT • 139, 167, 171, 193, 199, 413, 417, 437, 439, 505, 517, 615, 649
 - Definition • 65
 - Limit • 77
 - Measurement • 173, 199, 439
 - Value • 167, 169, 507
 - Values • 477, 479, 499
 - PATIENT CONNECTION • 43, 53, 65, 77, 139, 149, 153, 157, 171, 191, 197, 199, 205, 411, 413, 417, 419, 421, 423, 439, 453, 461, 469, 477, 479, 501, 507, 511, 513, 517
 - DEFIBRILLATION-PROOF APPLIED PART • 153, 155, 491
 - Definition • 65
 - Energy reduction test • 157
 - F-TYPE APPLIED PART • 151, 173, 483, 505, 523, 525
 - Multiple • 199, 517
 - Single • 199, 517
 - TYPE B APPLIED PART • 197, 443, 483, 515
 - TYPE BF APPLIED PART • 443, 515
 - TYPE CF APPLIED PART • 443, 469, 505
 - WORKING VOLTAGE • 151
 - PATIENT ENVIRONMENT • 387, 389, 391, 393, 395, 439, 601, 603, 605, 607, 609, 713
 - Definition • 65
 - PATIENT LEAKAGE CURRENT • 57, 171, 173, 199, 413, 417, 439, 501, 503
 - Definition • 65
 - Limit • 53, 77, 139, 149, 165, 505, 513, 515, 517
 - ME SYSTEM • 393, 605
 - Measurement • 173, 197, 199, 513, 517
 - MULTIPLE SOCKET-OUTLET • 393
 - Total • 171, 173, 199, 393, 505, 507, 605
 - TYPE B APPLIED PART • 483
 - TYPE BF APPLIED PART • 507, 515
 - TYPE CF APPLIED PART • 443, 503
 - Value • 167, 169, 173, 503, 507
 - PEAK WORKING VOLTAGE • 201, 207, 209, 217, 221, 229, 431, 441, 445
 - Definition • 65
 - Interpolation • 215
 - PEMS
 - See PROGRAMMABLE ELECTRICAL MEDICAL SYSTEM • 67
 - PEMS DEVELOPMENT LIFE-CYCLE • 351, 353, 581, 585, 591, 687, 693, 697
 - Definition • 65
 - PEMS VALIDATION • 65, 591, 693
 - Definition • 67
 - Plan • 353, 357, 581
 - Results • 357, 359
 - Team • 357, 359
 - PERMANENTLY INSTALLED
 - Definition • 67
 - ME EQUIPMENT • 105, 107, 115, 133, 137, 157, 163, 169, 193, 247, 255, 257, 467, 535
 - MEDICAL ELECTRICAL EQUIPMENT • 115
 - Non- • 247, 393
 - PESS
 - See PROGRAMMABLE ELECTRONIC SUBSYSTEM • 67
 - Pollution degree classification • 217
 - PORTABLE
 - Definition • 67
 - Equipment • 77

- ME EQUIPMENT • 279, 281, 361, 365, 379, 593
 - ME EQUIPMENT part • 365
 - POTENTIAL EQUALIZATION CONDUCTOR • 121, 165, 497, 621, 625
 - Definition • 67
 - POWER SUPPLY CORD • 57, 251, 253, 533, 535, 565, 609
 - Clamping means • 161
 - CLASS II ME EQUIPMENT • 167
 - Colour of conductors • 123, 429
 - Conductors • 251, 253
 - Cord anchorage • 251, 253
 - Cord connection • 245, 255, 663
 - Cord guard • 253
 - Cross-sectional area of conductors • 249, 259
 - Definition • 67
 - Incorporating switches • 247
 - Insulation of • 251
 - MAINS PLUG • 249
 - MULTIPLE SOCKET-OUTLET • 397, 435
 - Neutral conductor • 121
 - POTENTIAL EQUALIZATION CONDUCTOR • 165
 - PROTECTIVE EARTH CONDUCTOR • 161
 - Replaceable • 133, 257
 - Sheathing • 249
 - Strain relief • 251
 - Testing with • 193, 237, 273
 - PROCEDURE • 71, 479, 501, 567, 579, 585, 589, 695
 - Cleaning • 331, 391
 - Definition • 67
 - Document control • 353
 - Energy reduction test • 157
 - LEAKAGE CURRENT measurement • 173
 - Maintenance • 501
 - Measuring X-radiation • 561
 - Modification/change • 359
 - RISK CONTROL • 355
 - RISK MANAGEMENT • 445
 - Shutdown • 129
 - Start-up • 129, 411
 - Sterilization • 203, 331
 - Test • 195, 303, 329, 331, 491, 523, 741
 - Thermal cycling • 235
 - PROCESS • 43, 55, 81
 - Assessment of APPLIED PARTS • 411
 - Cleaning • 625
 - Cleaning or disinfection • 331
 - Definition • 67
 - Design • 445
 - Handling of PATIENT • 297
 - Manufacturing • 165, 291, 451, 575
 - PEMS DEVELOPMENT LIFE-CYCLE • 351, 353, 577, 579, 581, 583, 585, 587, 687, 693, 697
 - PEMS VALIDATION • 67
 - RISK ASSESSMENT • 71
 - RISK CONTROL • 71
 - RISK MANAGEMENT • 71, 77, 79, 81, 83, 85, 95, 123, 137, 139, 145, 151, 153, 283, 303, 305, 309, 321, 329, 331, 333, 335, 337, 341, 351, 353, 359, 375, 379, 399, 403, 411, 415, 427, 429, 445, 447, 449, 453, 463, 475, 543, 545, 565, 571, 579, 593, 595, 613, 695
 - Thermoforming • 595
 - USABILITY ENGINEERING • 101, 333, 445, 573
 - VERIFICATION • 79, 583
 - PROGRAMMABLE ELECTRICAL MEDICAL SYSTEM (PEMS) • 67, 105, 351, 353, 355, 357, 359, 405, 577, 763
 - PROGRAMMABLE ELECTRONIC SUBSYSTEM (PESS) • 67, 351, 355, 763
 - Definition • 67
 - PROPERLY INSTALLED • 111, 261
 - Definition • 69
 - PROTECTIVE EARTH CONDUCTOR • 51, 57, 67, 69, 77, 121, 137, 157, 161, 163, 191, 195, 251, 255, 257, 393, 397, 435, 451, 463, 501, 533, 603, 609, 715
 - Definition • 69
 - ME SYSTEM • 399
 - Non-PERMANENTLY INSTALLED • 393
 - PROTECTIVE EARTH CONNECTION • 61, 137, 145, 147, 161, 163, 165, 167, 397, 433, 435, 471, 473, 485, 491, 493, 495, 497, 513, 517, 521, 529, 535, 571, 607, 721
 - Colour of • 121
 - Definition • 69
 - ME SYSTEM • 399
 - PROTECTIVE EARTH TERMINAL • 69, 115, 161, 163, 191, 255, 397, 479, 493
 - Definition • 69
 - PROTECTIVELY EARTHED • 49, 77, 149, 153, 157, 163, 165, 191, 195, 219, 443, 479, 485, 493, 605, 607
 - Definition • 69
 - Non- • 167, 173, 195, 197, 251, 443, 471, 491
- ## R
- ### RATED
- Altitude • 215
 - CATEGORY AP • 569
 - CATEGORY APG • 569
 - Characteristics • 247
 - Components • 397
 - Current • 133, 163, 251, 383
 - Definition • 69
 - DUTY CYCLE • 347
 - Fire protection device • 373
 - Frequency • 93, 167, 381, 385, 523, 597
 - Input • 89
 - Input power • 89, 107
 - IP Classification • 455
 - Load • 289
 - MAINS VOLTAGE • 217, 229, 303, 487, 489
 - Marked • 109
 - Maximum supply pressure • 285
 - Non-CONTINUOUS OPERATION • 345, 347, 351
 - On and off periods • 311, 393
 - Operating time • 347
 - Operation • 425, 457, 577
 - Output current or power • 109
 - Output power • 397, 399
 - Output voltage • 109
 - Phase to neutral supply voltage • 151
 - Pressure • 111
 - Protection against particulate matter • 571
 - Supply frequency • 107

- Supply frequency range • 107
- Supply voltage • 93, 107, 151, 347, 393, 489, 511, 513
- Supply voltage range • 107
- Temperature • 249
- Total WORKING VOLTAGE • 145, 147
- Voltage • 89, 93, 131, 143, 151, 309, 343, 349, 351, 381, 385, 483
- Voltage (maximum) • 311
- Voltage (minimum) • 311
- Voltage range • 107, 151, 351
- Reasonably foreseeable misuse • 49, 79, 85, 261, 263, 269, 313, 357, 401, 445, 457, 577, 593, 595
- RECORD • 71, 351, 445, 593, 697
 - Definition • 69
- REINFORCED INSULATION • 49, 83, 85, 201, 203, 211, 213, 277, 361, 425, 441, 469, 471, 479, 481, 517, 521, 525, 535, 607, 737, 739, 741
 - Definition • 69
- Removable protective means • 113
- RESIDUAL RISK
 - Acceptability of • 81, 427, 481, 493, 537, 601
 - Definition • 69
 - Equivalent safety • 447
 - Identifiable safety requirements • 585
 - Indication of • 273, 539
 - Justification of • 83
 - Moving parts • 261
 - of fire • 321
 - SERVICE PERSONNEL • 437
 - System integrator • 701
- RESPONSIBLE ORGANIZATION • 41, 59, 73, 123, 125, 131, 133, 141, 359, 387, 389, 391, 393, 447, 455, 461, 463, 499, 561, 563, 567, 601, 605, 609, 661, 701, 703, 705, 707, 709
 - Definition • 69
 - Home use • 69
 - Instructions for use • 125
 - Periodic inspection and maintenance • 595
- RISK
 - Acceptability of • 81
 - Acceptable • 61, 71, 81, 83, 269, 271, 355, 429, 447, 579, 593
 - Acceptable levels • 81
 - Accidental disconnection • 165
 - Accidental selection of excessive output values • 335
 - Accuracy of controls and instruments • 333
 - Alarm systems as a means of addressing • 333
 - Alpha, beta, gamma and neutron radiation • 303
 - Arrangement of controls and indicators • 359
 - Burn • 477, 499, 511
 - Compatibility with substances • 333
 - COMPONENT WITH HIGH-INTEGRITY CHARACTERISTICS • 587
 - Consequent • 585
 - Control • 693
 - Definition • 71
 - Diagnostic or therapeutic acoustic pressure • 337
 - Diagnostic or therapeutic radiation • 337
 - Diagnostic X-rays • 335
 - Disconnection • 535
 - Disposal • 131
 - Earthing the PATIENT • 483
 - Electric shock • 61
 - Electric shock to others than the PATIENT • 59
 - Electric shock to PATIENT • 59
 - Electromagnetic compatibility • 399
 - Equivalent safety • 83
 - Expelled parts • 281
 - Explanation • 391
 - Failure of component • 85
 - Fault • 535
 - Flammable agent • 569
 - HIGH VOLTAGE • 463
 - Identified • 355
 - Ignition • 323
 - Incorrect delivery of energy or substances • 335
 - Incorrect output • 335
 - Infra- and ultrasound • 283
 - Infrared radiation • 305
 - Initial movement • 279
 - Insulation breakdown • 453, 481
 - Intentional exceeding of safety limits • 333
 - Mechanical rupture • 549
 - Microwave radiation • 303
 - Mitigation • 693
 - Mix-up • 593, 595
 - Moulding and mechanical stress • 361
 - Moving part • 537
 - Moving parts • 261
 - Multiple PATIENT CONNECTIONS • 511, 517
 - New • 359
 - of accumulation and ignition • 371
 - of contact • 485
 - of explosion • 657
 - of fire • 313, 533
 - Overbalancing • 275, 621
 - Overtravel • 269
 - Particular • 81
 - PATIENT ENVIRONMENT • 603
 - PATIENT support • 295
 - PEMS • 581
 - PEMS problem resolution • 353
 - Poor USABILITY • 101, 333
 - Pre-set controls • 375
 - Previously unidentified • 359
 - Radiotherapy • 335
 - Reciprocal interference • 125
 - Reduction • 73, 83, 549, 585
 - Replacement of lithium batteries or fuel cells • 113
 - Safety sign • 119
 - Servicing • 437
 - Sharp edge • 541
 - to PATIENT • 411, 427, 449, 487, 505, 509
 - to PATIENT OR OPERATOR • 629
 - TYPE B APPLIED PART • 149
 - Ultraviolet radiation • 305
 - Unacceptable • 49, 51, 73, 81, 85, 105, 111, 117, 127, 135, 137, 151, 211, 243, 263, 267, 269, 271, 275, 277, 279, 281, 285, 287, 289, 291, 293, 297, 299, 313, 329, 331, 341, 351, 359, 361, 363, 365, 367, 369, 371, 373, 377, 379, 387, 427, 449,

- 459, 541, 543, 545, 555, 575, 593, 601, 709
- Uncontrollable • 707
- Unintended X-radiation • 303
- USABILITY ENGINEERING • 573
- Ventricular fibrillation • 499, 503
- Vibration • 545
- Visible electromagnetic radiation • 303
- RISK ANALYSIS
 - COMPONENTS WITH HIGH-INTEGRITY CHARACTERISTICS • 451
 - Definition • 71
 - Identification of failures • 573
 - Interruption of any one power-carrying conductor • 137
 - Least favourable working conditions • 91
 - PEMS DEVELOPMENT LIFE-CYCLE • 579
 - Results of • 85, 91
 - Revision of • 91
 - RISK ASSESSMENT • 71
 - RISK EVALUATION • 71
 - Second fault • 451
 - Shorting of gaps • 575
 - SINGLE FAULT CONDITION • 507
 - Software • 695
 - Support system • 291
 - TOUCH CURRENT • 501
- RISK ASSESSMENT
 - Definition • 71
 - HAND-HELD APPLIED PARTS • 593
 - PEMS DEVELOPMENT LIFE-CYCLE • 579, 581, 587, 693
 - Source of ignition • 321
- RISK CONTROL
 - Alarm systems as means of • 333
 - Definition • 71
 - Measure • 81, 351, 355, 357, 453, 459, 579, 583, 585, 587, 589, 693, 695
 - PEMS DEVELOPMENT LIFE-CYCLE • 355, 579
- RISK EVALUATION
 - Definition • 71
 - RISK ASSESSMENT • 71
- RISK MANAGEMENT
 - Activities • 353
 - Application of • 403, 413, 417, 419, 421, 423, 445, 507, 601
 - Contents of • 71
 - Definition • 71
 - Methods • 387, 601
 - PEMS DEVELOPMENT LIFE-CYCLE • 351, 579, 693
 - Plan • 353, 581
 - PROCESS • 43, 71, 77, 79, 81, 83, 85, 95, 123, 137, 139, 145, 151, 153, 283, 303, 305, 309, 321, 329, 331, 333, 335, 337, 341, 351, 353, 359, 375, 379, 399, 403, 411, 415, 427, 429, 445, 447, 449, 453, 463, 475, 543, 545, 565, 571, 579, 595, 613, 695
 - Report • 591
 - Results of • 583
 - SINGLE FAULT CONDITION • 85
 - Support systems • 555
 - System integration • 703
 - Temperature limits • 565
- RISK MANAGEMENT FILE
 - Alternative means of compliance • 323
 - Alternative methods of temperature measurement • 313
 - Cleaning/disinfection • 331
 - Contents of • 357, 445, 529, 531, 571, 579, 581, 593
 - Definition • 71
 - Documents produced by application of Clause 14 • 351
 - Equivalent safety • 447
 - EXPECTED SERVICE LIFE • 81
 - Fuses and OVER-CURRENT RELEASES • 259
 - Inspection • 81, 83, 87, 99, 141, 149, 163, 211, 243, 245, 259, 267, 269, 271, 277, 281, 283, 285, 287, 289, 291, 293, 295, 297, 299, 301, 303, 305, 309, 321, 329, 331, 333, 335, 337, 341, 351, 359, 363, 365, 367, 369, 371, 373, 375, 379, 399, 447
 - Methods of PEMS VALIDATION • 359
 - Omission of OVER-CURRENT RELEASES • 373
 - Probability and duration of contact • 309
 - Professional relationships of PEMS VALIDATION TEAM members • 359
 - Temperature limits • 307
 - Temperature test corner • 309
 - Worst case limits of oxygen concentration of flammable fuels • 315
- S**
 - SAFE WORKING LOAD • 75, 277, 279, 295, 297, 301, 363, 365, 625
 - Definition • 71
 - Safety sign • 103, 105, 109, 111, 113, 119, 121, 125, 133, 275, 301, 397, 459, 463, 621, 629, 633, 641, 643
 - SECONDARY CIRCUIT • 207, 219, 221, 231, 441, 471, 511, 523
 - Definition • 71
 - SELF-RESETTING THERMAL CUT-OUT • 371
 - Definition • 73
 - Non- • 347, 369, 683
 - SEPARATION DEVICE • 391, 393, 441, 603, 605, 719, 721
 - Definition • 73
 - SERVICE PERSONNEL • 75, 91, 105, 113, 131, 133, 135, 139, 165, 255, 301, 437, 455, 463, 467, 531, 533, 535, 597, 625
 - Definition • 73
 - Qualification of • 133
 - Rough surfaces, corners and edges • 541
 - Spurious X-radiation • 303
 - Servicing • 361, 437, 533, 539, 703
 - SEVERITY • 71, 427, 429, 449, 491, 545
 - Definition • 73
 - SIGNAL INPUT/OUTPUT PART • 127, 135, 153, 171, 183, 191, 197, 205, 443, 491, 515, 605, 719, 733, 763
 - Definition • 73
 - SINGLE FAULT CONDITION • 49, 61, 65, 73, 81, 83, 85, 135, 141, 143, 147, 165, 167, 169, 171, 173, 175, 177, 179, 183, 187, 191, 195, 243, 267, 269, 285, 313, 321, 323, 331, 337, 339, 341, 343, 381, 401, 435, 449, 467, 469, 471, 473, 479, 491, 497, 499, 501, 503, 505, 507,

515, 529, 549, 551, 559, 565, 567, 569, 571, 575, 577, 607, 609, 659, 675, 677, 731
 Definition • 73

SINGLE FAULT SAFE • 83, 341, 449, 567
 Definition • 73

SIP/SOP
 See SIGNAL INPUT/OUTPUT PART • 73

STATIONARY
 Definition • 73
 Equipment • 539
 ME EQUIPMENT • 103, 253, 279, 325, 361

SUPPLEMENTARY INSULATION • 51, 201, 203, 211, 213, 277, 361, 425, 433, 479, 521, 737, 739, 741
 Definition • 73

SUPPLY MAINS • 57, 59, 61, 63, 67, 87, 89, 101, 107, 127, 133, 135, 137, 157, 165, 191, 193, 201, 219, 259, 273, 385, 391, 393, 395, 431, 433, 435, 443, 457, 463, 485, 487, 491, 511, 523, 651
 a.c. • 93, 219, 489
 Apparent impedance of • 133, 467
 Characteristics of • 89, 499
 d.c. • 93, 137, 489
 Definition • 75
 Interruption of • 333, 571, 615
 Isolation from • 133, 247, 465, 467, 531
 Overvoltage category • 219, 523
 Polyphase • 151, 247, 351, 653
 Single-phase • 151
 Socket-outlet • 53
 Switch • 247

Symbol • 77, 105, 107, 109, 111, 113, 115, 117, 119, 121, 125, 129, 143, 165, 249, 271, 463, 511, 621, 623, 629, 661

T

Technical description • 59, 89, 91, 95, 115, 123, 125, 127, 131, 133, 143, 167, 247, 359, 437, 627, 701
 Ambient temperature • 211
 Inspection • 143, 379
 Installation instructions • 309
 Operating temperature • 305, 313

TENSILE SAFETY FACTOR • 83, 85, 291, 293, 297, 301, 549, 551, 553, 555, 559
 Definition • 75

TENSILE STRENGTH • 75, 293
 Definition • 75

TERMINAL DEVICE
 Definition • 75
 HIGH-VOLTAGE • 111, 463
 MAINS TERMINAL DEVICE • 57

THERMAL CUT-OUT • 113, 305, 313, 339, 343, 347, 369, 371, 463
 Definition • 75
 Manual reset • 371
 SELF-RESETTING THERMAL CUT-OUT • 73

THERMAL STABILITY • 311, 343, 347, 349, 351, 381, 383, 393
 Definition • 75

THERMOSTAT • 345, 371, 623
 Definition • 75
 Failure of • 339, 341, 369

TOOL • 41, 53, 67, 75, 95, 99, 103, 111, 113, 137, 139, 141, 143, 161, 165, 243, 255, 263, 267, 289, 299, 303, 313, 369, 375, 391, 395, 397, 399, 455, 477, 539, 593, 597, 609, 663, 667, 721
 Definition • 75

TOTAL LOAD • 75, 291, 293, 297, 553
 Definition • 75

TOUCH CURRENT • 57, 171, 477, 501, 503, 607, 717, 721
 Definition • 77
 Limit • 139, 165, 393, 443, 473, 605, 713, 715
 Measurement • 173, 177, 195, 513

MULTIPLE SOCKET-OUTLET • 393, 605

SINGLE FAULT CONDITION • 435, 609
 Value • 167, 169, 607

Transport and storage
 Conditions • 111, 133, 367, 391, 465, 467
 Covers used during • 93
 Data for • 131
 Protective packaging • 111

TRANSPORTABLE
 Definition • 77
 Equipment • 61, 67
 ME EQUIPMENT • 103, 279, 325, 329

TRAPPING ZONE • 261, 263, 267, 541
 Definition • 77

TYPE B APPLIED PART • 77, 149, 197, 199, 443, 475, 485, 515, 517, 733
 Classification • 77, 101, 139, 475, 499
 DEFIBRILLATION-PROOF symbol • 639
 Definition • 77
 Marking of • 77, 109
 Measurement • 189
 PATIENT LEAKAGE CURRENT • 503
 Symbol • 637
 Total PATIENT LEAKAGE CURRENT • 505

TYPE BF APPLIED PART • 77, 197, 199, 443, 475, 485, 505, 515, 517, 735
 Classification • 53, 77, 101, 139, 149, 475, 499
 DEFIBRILLATION-PROOF symbol • 639
 Definition • 77
 Marking of • 77, 109
 MEASUREMENT • 189
 PATIENT LEAKAGE CURRENT • 503, 505
 Symbol • 637
 Total PATIENT LEAKAGE CURRENT • 507

TYPE CF APPLIED PART • 137, 173, 199, 443, 469, 475, 485, 501, 503, 515, 517
 Classification • 53, 101, 139, 149, 475, 499
 DEFIBRILLATION-PROOF symbol • 639
 Definition • 77
 Marking of • 77, 109
 MEASUREMENT • 189
 PATIENT LEAKAGE CURRENT • 505
 Symbol • 637
 Total PATIENT LEAKAGE CURRENT • 505, 507

TYPE TEST • 91, 203, 453, 737
 COMPONENTS WITH HIGH-INTEGRITY
 CHARACTERISTICS • 451
 Definition • 79
 Samples • 91, 455

U

USABILITY • 79, 101, 333, 405, 457, 573, 613
Definition • 79

USABILITY ENGINEERING • 101, 333, 445, 573
Definition • 79

V

VERIFICATION

Coverage criteria • 357, 579, 583, 585, 587

Definition • 79

Methods • 353

Milestones • 357

of Markings • 619

PEMS • 357, 687

Plan • 357, 589

Polymer properties • 595

Results • 357, 583

RISK CONTROL measures • 589

Strategies • 357, 693, 695

Tools • 357, 589, 593

W

Warning • 103, 111, 113, 119, 123, 125, 127,
129, 133, 135, 249, 261, 273, 275, 285, 389,
459, 461, 463, 533, 539, 543, 603, 605, 621,
625, 629, 641, 693, 703

WORKING VOLTAGE • 65, 145, 147, 149, 151,
153, 201, 205, 221, 223, 225, 227, 231, 233,
385, 387, 391, 431, 441, 445, 471, 481, 489,
523, 525, 527, 729

Definition • 79

Interpolation • 215, 527

INDEX OF ABBREVIATIONS AND ACRONYMS

Abbreviation	Term
a.c.	Alternating current
AMSO	Auxiliary mains socket-outlet
AP	Anaesthetic-proof
APG	Anaesthetic-proof category G (gas)
CASE	Computer aided software engineering
CAT	Computer assisted tomography
CRT	Cathode ray tube
CTI	Comparative tracking index
d.c.	Direct current
DICOM	Digital imaging and communication in medicine
ELV	Extra-low voltage
EUT	Equipment under test
FDDI	Fibre distributed data interface
FMEA	Failure modes and effects analysis
HL7	Health Level 7
ICRP	International commission for radiation protection
IEV	International Electrotechnical Vocabulary
IP	International protection in relation to the protection requirements of IEC 60529 or Internet protocol in relation to NETWORK/DATA COUPLING
IT	Information technology
LDAP	Light weight directory access protocol
LED	Light emitting diode
MAR	Minimum angle resolvable
MD	Measuring device, see 8.7.4.4
ME	MEDICAL ELECTRICAL, see 3.63 and 3.64
MOOP	MEANS OF OPERATOR PROTECTION, see 3.58
MOP	MEANS OF PROTECTION, see 3.60
MOPP	MEANS OF PATIENT PROTECTION, see 3.59
MPSO	Multiple portable socket-outlet
MSO	MULTIPLE SOCKET-OUTLET, see 3.67
OTS	Off the shelf
PEMS	PROGRAMMABLE ELECTRICAL MEDICAL SYSTEM, see 3.90
PESS	PROGRAMMABLE ELECTRONIC SUBSYSTEM, see 3.91
PTC	Positive temperature coefficient device
r.m.s.	Root mean square
SELV	Safety extra-low voltage
SI	System international
SIP/SOP	SIGNAL INPUT/OUTPUT PART, see 3.115.

Abbreviation	Term
TCP	Transport connection protocol
TENS	Transcutaneous electronic nerve stimulator
UPS	Uninterruptible power supply
VDU	Video display unit



Standards Survey

The IEC would like to offer you the best quality standards possible. To make sure that we continue to meet your needs, your feedback is essential. Would you please take a minute to answer the questions overleaf and fax them to us at +41 22 919 03 00 or mail them to the address below. Thank you!

Customer Service Centre (CSC)

International Electrotechnical Commission

3, rue de Varembé

1211 Genève 20

Switzerland

or

Fax to: **IEC/CSC** at +41 22 919 03 00

Thank you for your contribution to the standards-making process.

A Prioritaire

Nicht frankieren
Ne pas affranchir



Non affrancare
No stamp required

RÉPONSE PAYÉE

SUISSE

Customer Service Centre (CSC)

International Electrotechnical Commission

3, rue de Varembé

1211 GENEVA 20

Switzerland



Q1 Please report on **ONE STANDARD** and **ONE STANDARD ONLY**. Enter the exact number of the standard: (e.g. 60601-1-1)

.....

Q2 Please tell us in what capacity(ies) you bought the standard (tick all that apply). I am the/a:

- purchasing agent
- librarian
- researcher
- design engineer
- safety engineer
- testing engineer
- marketing specialist
- other.....

Q3 I work for/in/as a: (tick all that apply)

- manufacturing
- consultant
- government
- test/certification facility
- public utility
- education
- military
- other.....

Q4 This standard will be used for: (tick all that apply)

- general reference
- product research
- product design/development
- specifications
- tenders
- quality assessment
- certification
- technical documentation
- thesis
- manufacturing
- other.....

Q5 This standard meets my needs: (tick one)

- not at all
- nearly
- fairly well
- exactly

Q6 If you ticked NOT AT ALL in Question 5 the reason is: (tick all that apply)

- standard is out of date
- standard is incomplete
- standard is too academic
- standard is too superficial
- title is misleading
- I made the wrong choice
- other

Q7 Please assess the standard in the following categories, using the numbers:

- (1) unacceptable,
- (2) below average,
- (3) average,
- (4) above average,
- (5) exceptional,
- (6) not applicable

- timeliness.....
- quality of writing.....
- technical contents.....
- logic of arrangement of contents
- tables, charts, graphs, figures.....
- other

Q8 I read/use the: (tick one)

- French text only
- English text only
- both English and French texts

Q9 Please share any comment on any aspect of the IEC that you would like us to know:

.....

.....

.....

.....

.....

.....

.....

.....

.....

.....

.....



ISBN 2-8318-8400-4



9 782831 884004

ICS 11.040

Typeset and printed by the IEC Central Office
GENEVA, SWITZERLAND